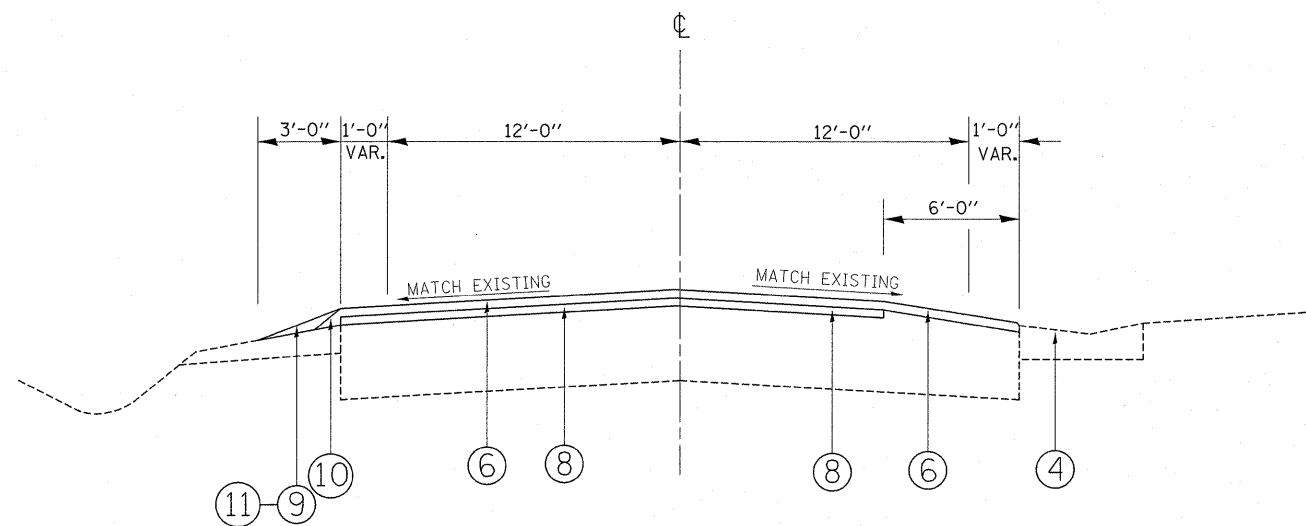


EXISTING TYPICAL SECTION
ILL 113 (RIVER ST.)
STA. 196+88 TO STA. 201+11

- LEGEND**
- ① EXISTING PCC PAVEMENT, ±9"
 - ② EXISTING HOT-MIX ASPHALT SURFACE COURSE AFTER MILLING ±2 1/4"
 - ③ EXISTING AGGREGATE SHOULDER
 - ④ EXISTING COMBINATION CONCRETE CURB AND GUTTER
 - ⑤ PROPOSED HOT-MIX ASPHALT SURFACE REMOVAL, 2 1/4"
 - ⑥ PROPOSED HOT-MIX ASPHALT SURFACE COURSE, MIX "D", N50, 1 1/2"
 - ⑦ PROPOSED POLYMERIZED LEVELING BINDER (MACHINE METHOD), IL-4.75, N50, 3/4"
 - ⑧ PROPOSED POLYMERIZED LEVELING BINDER (MACHINE METHOD), IL-4.75, N50, 1"
 - ⑨ PROPOSED AGGREGATE WEDGE SHOULDER, TYPE B
 - ⑩ PROPOSED SAFETY EDGE (WHEN HMA SHOULDER < 3 FT)
 - ⑪ PROPOSED GRADING AND SHAPING SHOULDER



PROPOSED TYPICAL SECTION
ILL 113 (RIVER ST.)
STA. 196+88 TO STA. 201+11

HOT-MIX ASPHALT MIXTURE REQUIREMENTS		
MIXTURE TYPE	AIR VOIDS	NODES
RESURFACING		
HOT-MIX ASPHALT SURFACE COURSE, MIX "D", N50, (IL 9.5 mm)	4% @ 50 GYR	
POLYMERIZED LEVELING BINDER (MACHINE METHOD), IL-4.75, N50	4% @ 50 GYR.	
PATCHING		
CLASS D PATCHES, (HMA BINDER IL-19 mm)	4% @ 70 GYR	

- THE UNIT WEIGHT USED TO CALCULATE ALL HOT-MIX ASPHALT SURFACE MIXTURES IS 112 LBS/SQ.YD./IN
- THE AC TYPE FOR POLYMERIZED HMA MIXES SHALL BE SBS/SBR PG 76 -22 AND FOR NON-POLYMERIZED HMA THE AC TYPE SHALL BE PG 64 -22 UNLESS MODIFIED BY DISTRICT ONE SPECIAL PROVISIONS. FOR "PERCENT OF RAP" SEE SPECIAL PROVISIONS.