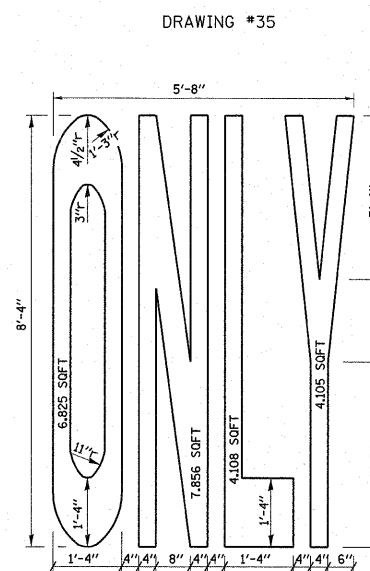
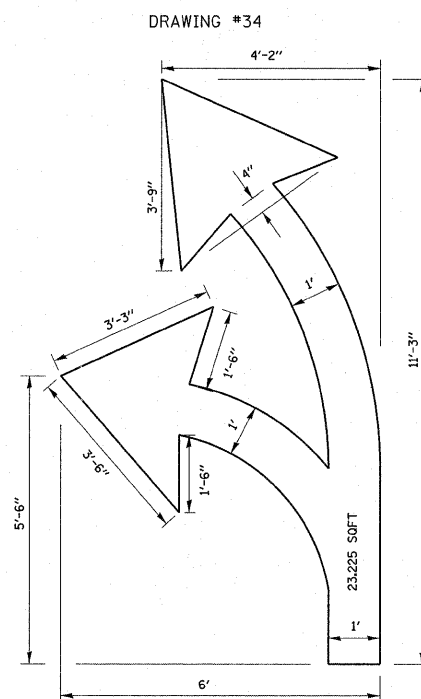
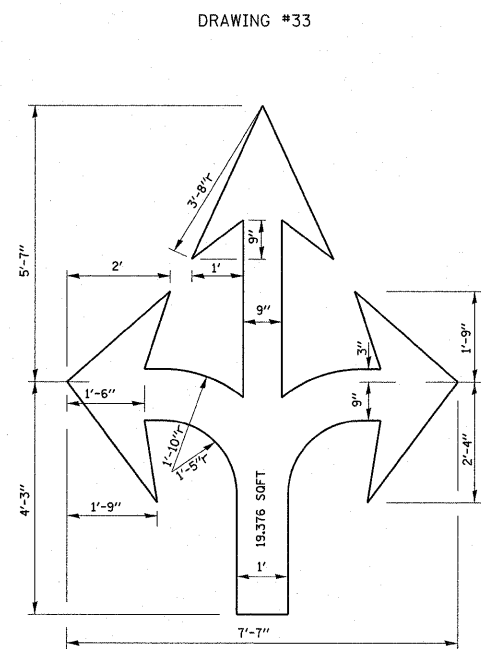
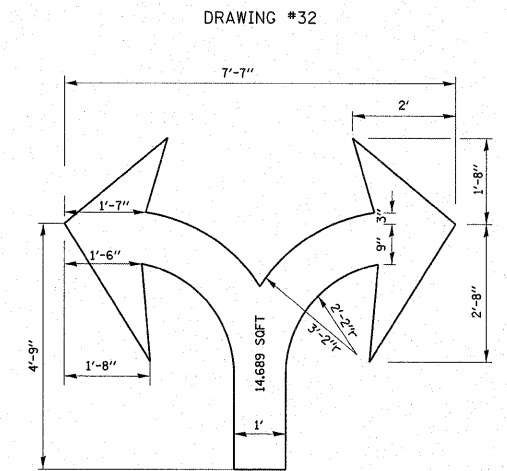
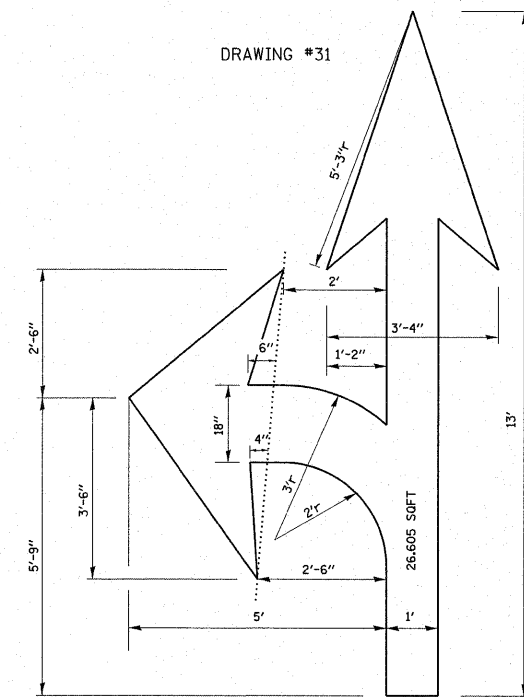
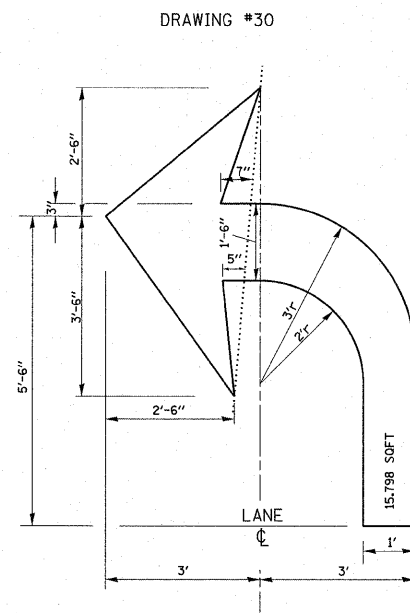
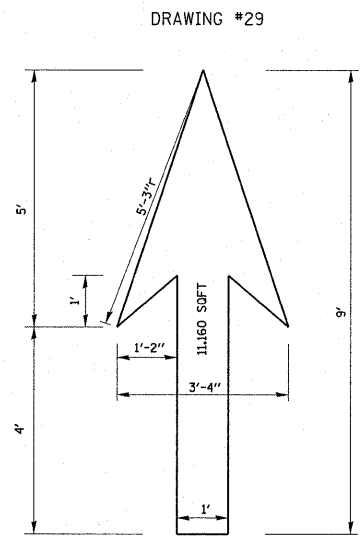


**NOTE:**

- 1.) FOR BIKE LANE SYMBOLS ONLY, USE PRE-FORMED THERMOPLASTIC WITH A MINIMUM THICKNESS OF 90 MILS, MINIMUM SKID RESISTANCE VALUE OF 60 BPN, & A MINIMUM INDEX OF REFRACTION OF 1.50.
- 2.) THE RESIDENT ENGINEER SHALL CONTACT MR. BEN GOMBERG AT 312-744-8093 AT LEAST ONE CALENDAR WEEK PRIOR TO INSTALLING BIKE LANE SYMBOLS.

**TYPICAL BIKE LANE SYMBOLS**  
DRAWING #28



**NOTE:** ALL MARKINGS SHALL BE SOLID WHITE UNLESS OTHERWISE NOTED IN THE PLANS

FILE NAME =	USER NAME = gorengautab	DESIGNED -	REVISED - T. RAMMACHER 12-07-00
es:\pw_work\pwsdot\gorengautab\d0281223\162711-sht-p1an.dgn		DRAWN -	REVISED -
PLOT SCALE = 50.0000 / 1 in.		CHECKED -	REVISED -
PLOT DATE = 11/3/2011		DATE -	REVISED -

**STATE OF ILLINOIS**  
**DEPARTMENT OF TRANSPORTATION**

**CITY OF CHICAGO**  
**TYPICAL PAVEMENT MARKINGS**

SCALE: NONE SHEET NO. 2 OF 2 SHEETS STA. TO STA.

F.A.I. RTE. 90/94	SECTION 2011-070-I	COUNTY COOK	TOTAL SHEETS 27	SHEET NO. 27
<b>TC-24</b>		CONTRACT NO. 60P89		
FED. ROAD DIST. NO. 1 ILLINOIS FED. AID PROJECT				