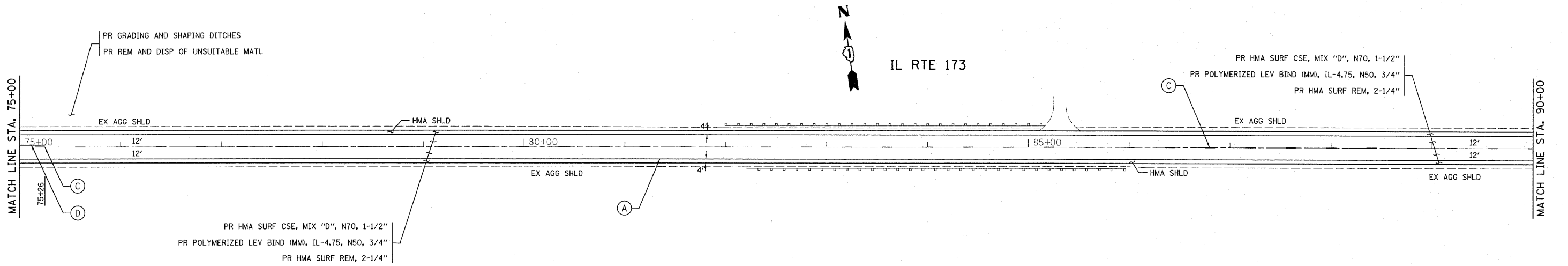


OMISSION: STA 59+85 TO STA 62+85

THERMOPLASTIC PAVEMENT MARKING LEGEND			
(A)	THERMOPLASTIC PAVEMENT MARKING 4" SOLID WHITE EDGE LINE (TYPICAL)	(C)	THERMOPLASTIC PAVEMENT MARKING 4" YELLOW SKIP-DASH (10' DASH, 30' SKIP) (TYPICAL)
(B)	THERMOPLASTIC PAVEMENT MARKING 4" SOLID YELLOW, 2 @ 11" C-C (TYPICAL)	(D)	THERMOPLASTIC PAVEMENT MARKING 4" SOLID YELLOW NO PASSING ZONE LINE FOR ONE DIRECTION, 5-1/2" C-C FROM SKIP-DASH CENTERLINE (TYPICAL)



**GENERAL NOTES:**

- 1) ALL RAISED REFLECTIVE PAVEMENT MARKERS SHALL BE PLACED IN ACCORDANCE WITH DISTRICT ONE "TYPICAL APPLICATIONS RAISED REFLECTIVE PAVEMENT MARKERS (SNOW-PLOW RESISTANT) (TC-11)" STANDARD DETAIL.
- 2) ALL FINAL PAVEMENT MARKINGS SHALL BE THERMOPLASTIC (OF THE EXTRUDED TYPE) AND SHOULD BE PLACED IN ACCORDANCE WITH "DISTRICT ONE TYPICAL PAVEMENT MARKINGS (TC-13)" STANDARD DETAIL.

FILE NAME =	USER NAME = tarjafm	DESIGNED -	REVISED -	<b>STATE OF ILLINOIS DEPARTMENT OF TRANSPORTATION</b>	<b>IL 173 (MCHENRY COUNTY LINE TO WINDSOR DALGAARD JR LN) ROADWAY AND PAVEMENT MARKING PLANS</b>	F.A.P. RTE.	SECTION	COUNTY	TOTAL SHEETS	SHEET NO.
es:\pw\work\p1x1dot\tarjafm\d0273018\0163211-sh1-plan.dgn	DRAWN -	REVISED -	303			134-RS-3	LAKE	19	7	
PLOT SCALE = 50.0000' / 1" =	CHECKED -	REVISED -	CONTRACT NO. 60P94							
PLOT DATE = 10/21/2011	DATE -	REVISED -	ILLINOIS FED. AID PROJECT							
					SCALE:	SHEET NO.	OF	SHEETS	STA.	TO STA.