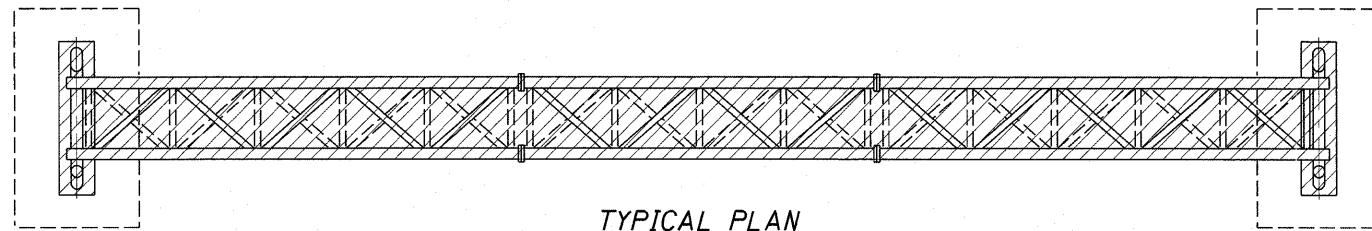
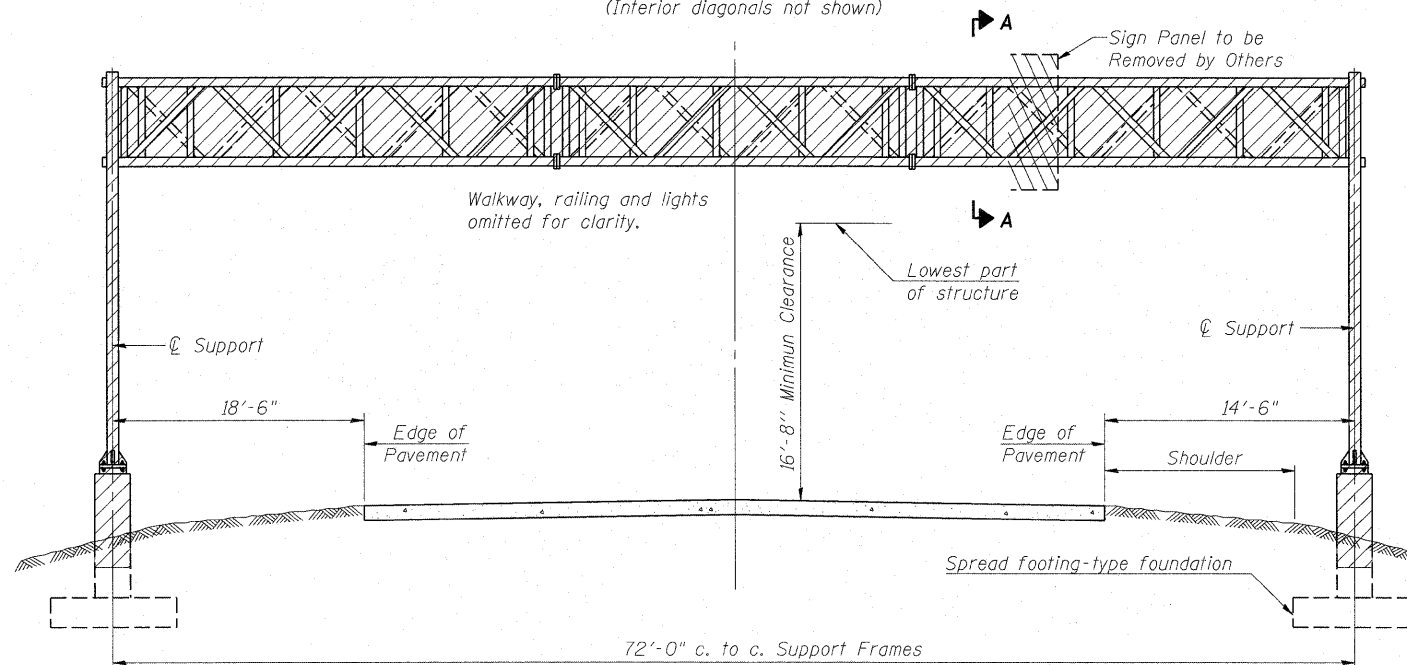


Existing Structure: Overhead sign structure-span, type I, built in 1960, 72'-0" Span, 16'-8" vertical clearance, walkway length is 39'-6", 14 panels with 2 splices. There are four fluorescent lights on the sign structure.

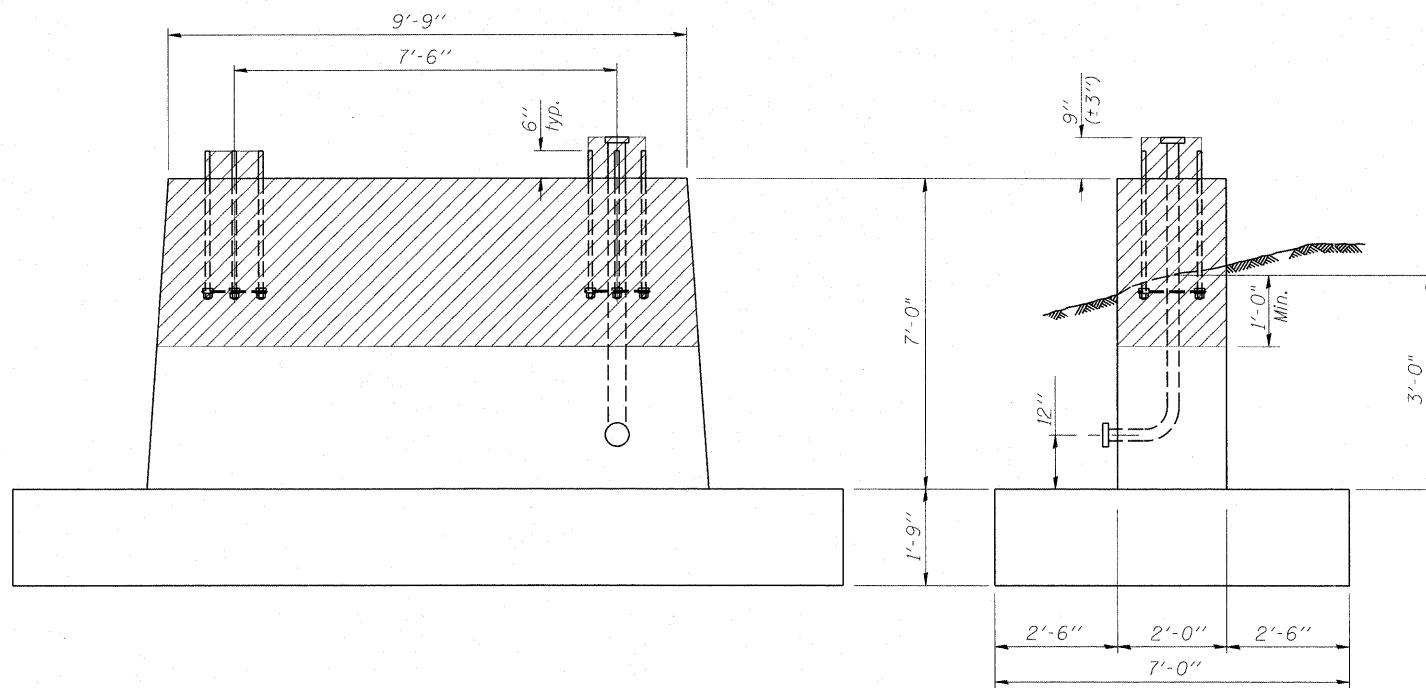
Salvage: None.



TYPICAL PLAN
(Interior diagonals not shown)

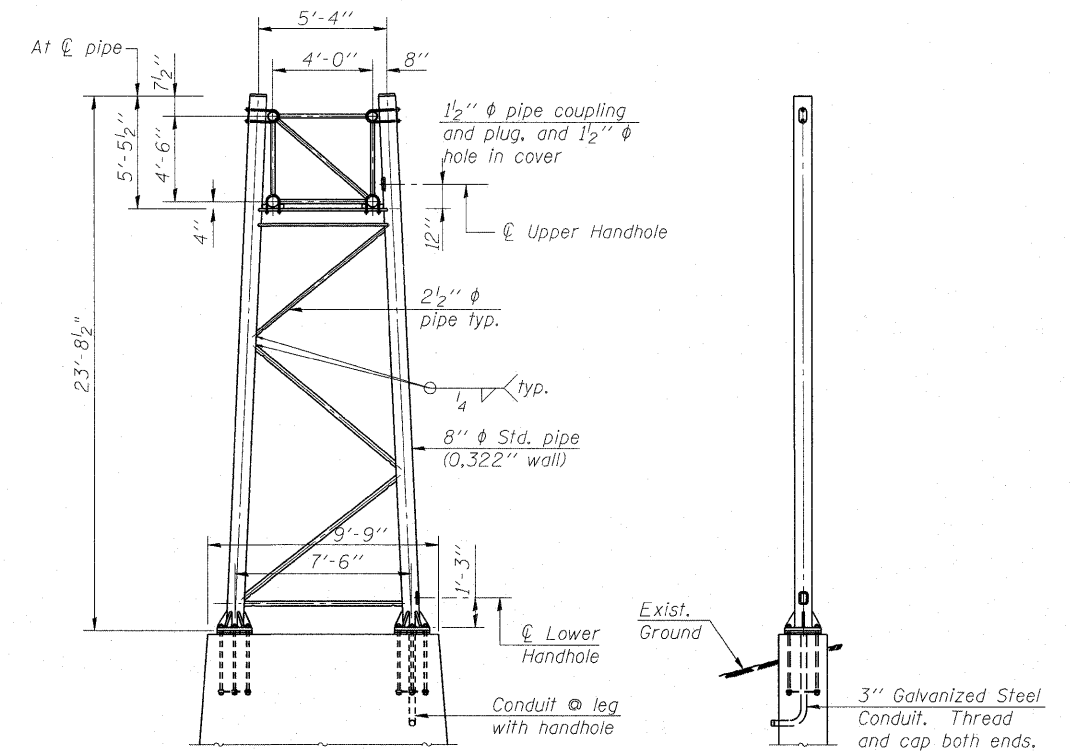


TYPICAL ELEVATION
(Looking at Face of Signs)



SIDE ELEVATION

END ELEVATION

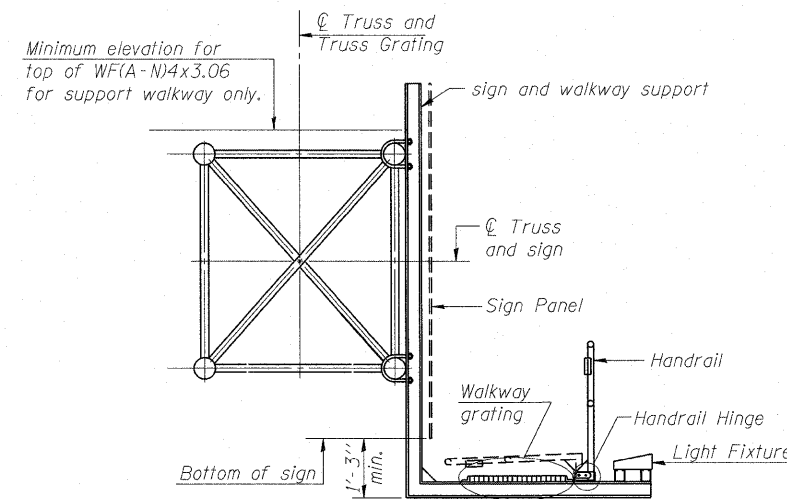


SIDE ELEVATION

END ELEVATION

8" ϕ PIPE TRUSS SUPPORT FRAME

(To be Removed)



SECTION A-A

(All Elements to be Removed)

SCOPE OF WORK:

Remove entire existing overhead sign structure including, but not limited to, sign truss, walkway, railing, lighting, conduits, posts and concrete foundation to 1 foot below grade. Lane closures will be required.

The sign panels will be removed by IDOT.

Note:
Plan dimensions and details relative to existing sign structure are subject to normal construction variations. The Contractor shall field verify existing dimensions and details affecting the removal and make necessary adjustments. Such variations shall not be cause for additional compensation.

TOTAL BILL OF MATERIAL

ITEM	UNIT	TOTAL
REMOVE OVERHEAD SIGN STRUCTURE - SPAN	EACH	1
REMOVE CONCRETE FOUNDATION - OVERHEAD	EACH	2

Structure Number	Station	Design Truss Type	c. to c. Supports (Ft.)	Total Sign Area (Sq. Ft.)
1s09910551238.5	1656+30.3	1	72'-0"	280.5

Legend:
 Indicates Area to be Removed.
 Indicates Existing Sign Panel.