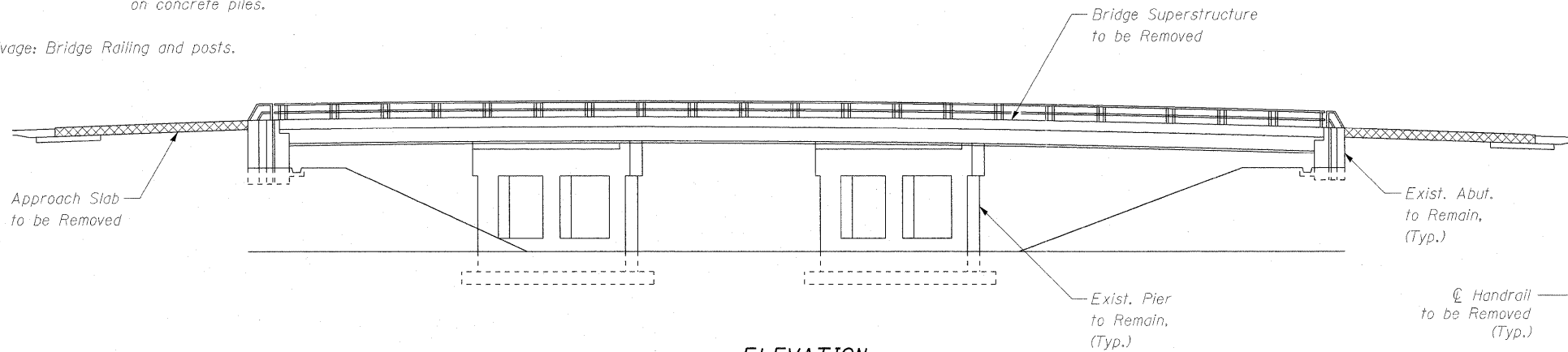
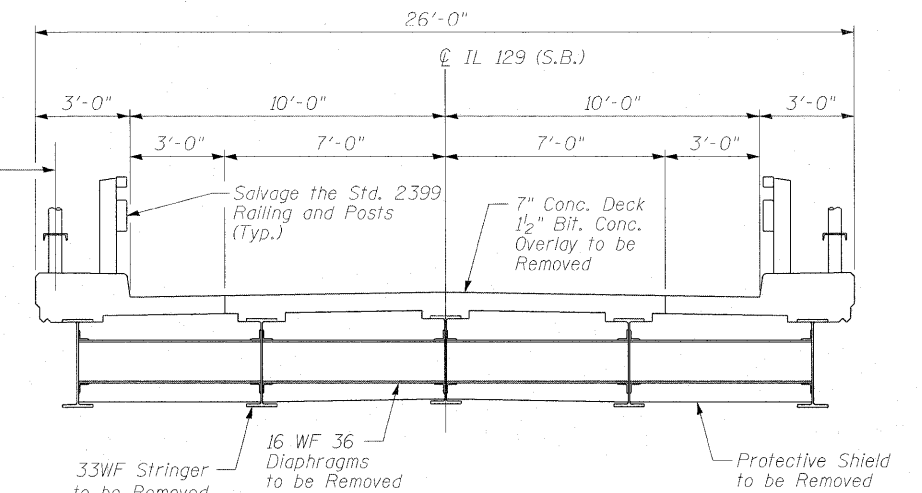


Existing Structure: S.N. 099-0163 built in 1956 as a three span steel multiple beam bridge with 7-inch non-composite concrete deck. Total length 165'-2⁵/₈" back to back of abutments and width 26'-0" out to out. Substructure consists of two piers and two abutments supported on concrete piles.

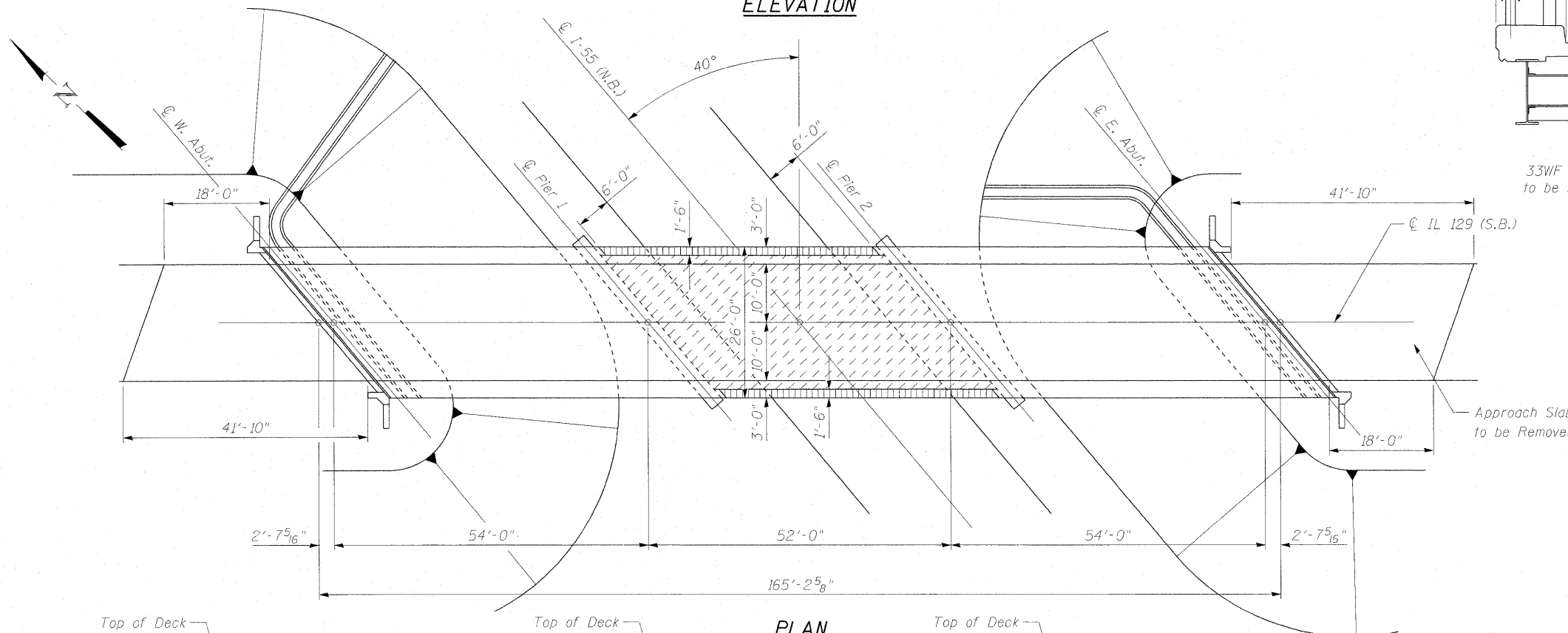
Salvage: Bridge Railing and posts.



ELEVATION



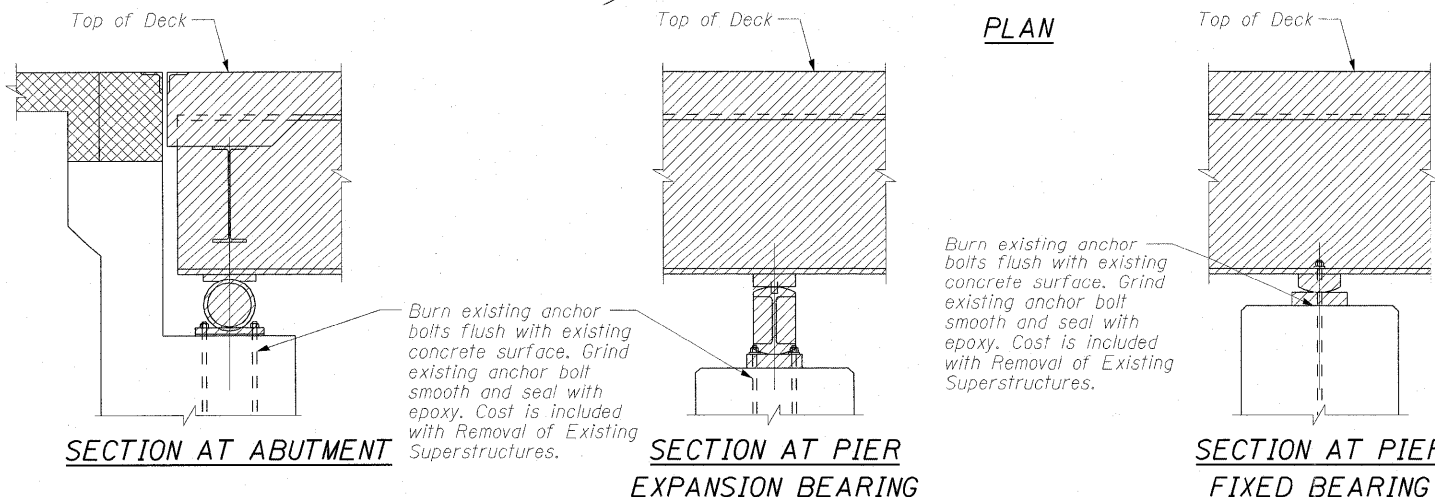
TYPICAL CROSS SECTION



PLAN

GENERAL NOTES:

1. The existing bearings contain lead. The Contractor shall take appropriate precaution to deal with the presence of lead on this project.
2. Areas of existing bridge have permanent protective shield in place. If any part of the existing permanent protective shield system is to be re-used as temporary protective shield, the Contractor shall submit design calculations to the Engineer proving the system meets the requirements of Article 501.03 of the Standard Specifications. The calculations shall be prepared and sealed by an Illinois Licensed Structural Engineer. The cost of removal of all Protective Shield, temporary and existing permanent protective shield shall be included in the cost of Protective Shield.
3. The removal of existing protective shield system is included with the cost of Removal of Existing Superstructures.
4. The existing bridge metal railing and posts (Std. 2399) mounted on the curbs shall be salvaged and delivered by the Contractor to District 1 Bridge Field Office, 1101 Biesterfeld Rd. Elk Grove, IL. The Contractor shall remove, transport, and unload the existing railing. Length of railing = 325'. The cost for this work shall be included in the Pay Item for Removal of Existing Superstructures.
5. See electrical plans for coordination with lighting and conduit disconnection and removal.



TOTAL BILL OF MATERIAL

ITEM	UNIT	QUANTITY
Removal of Existing Superstructures	Each	1
Approach Slab Removal	Sq. Yd.	133
Protective Shield	Sq. Yd.	140

- Legend:**
- Removal of Existing Superstructures
 - Removal of Approach Slab
 - Existing Permanent Protective Shield System & Protective Shield
 - Protective Shield

**GENERAL PLAN AND ELEVATION
IL-129 (S.B.) OVER I-55 (N.B.)
FAI 55 - SECTION 2011-078-1
WILL COUNTY
STATION 1+40
STRUCTURE NO. 099-0163**