

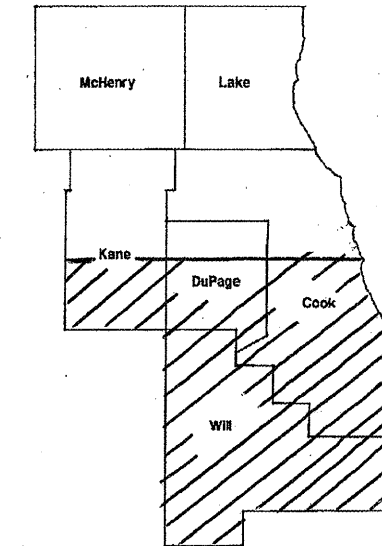
1-20-2012 LETTING ITEM 159

ROUTE	SECTION	COUNTY	TOTAL SHEETS	SHEET NUMBER
VARIOUS	2011-096-I	VARIOUS	9	1

CONTRACT 60R26
D-91-058-12

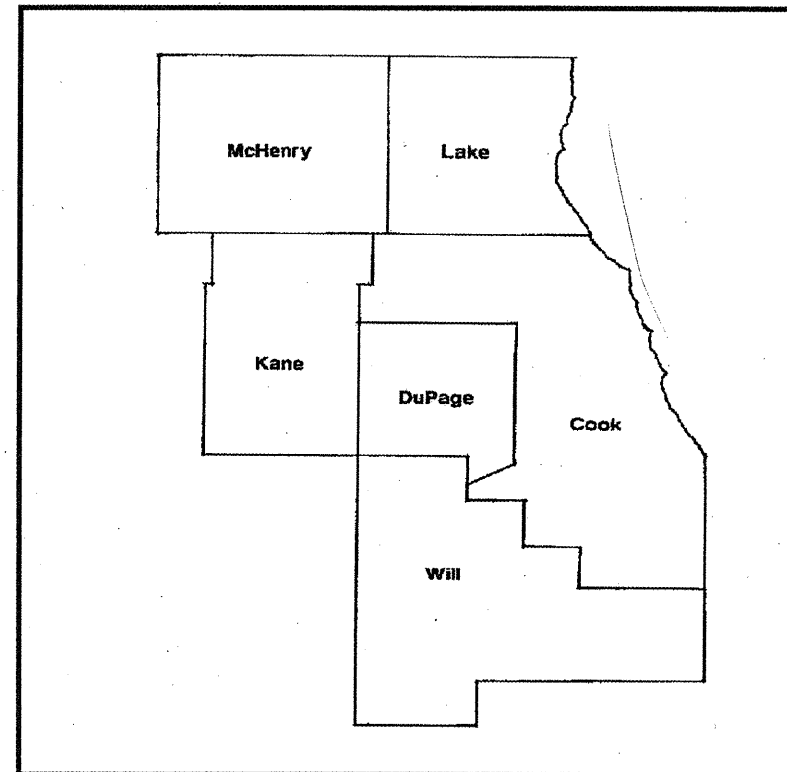
STATE OF ILLINOIS
DEPARTMENT OF TRANSPORTATION
DIVISION OF HIGHWAYS
DISTRICT ONE
PROPOSED HIGHWAY PLANS

ROUTE: VARIOUS SOUTH
SECTION: 2011-096-I
MOWING
VARIOUS COUNTIES
C-91-058-12



LOCATION OF IMPROVEMENT INDICATED THUS: 

**IMPROVEMENT IS IN VARIOUS
LOCATIONS WITHIN DISTRICT
ONE**



STATE OF ILLINOIS
DEPARTMENT OF TRANSPORTATION
DIVISION OF HIGHWAYS

SUBMITTED: SEPTEMBER 16, 20 11
Diane M. O'Keefe
DEPUTY DIRECTOR OF HIGHWAYS, REGION ENGINEER

Oct 14 20 11
Scott E. Stitt, P.E.
acting ENGINEER OF DESIGN AND ENVIRONMENT

Oct 14 20 11
Christine M. Reed
DIRECTOR OF HIGHWAYS, CHIEF ENGINEER

**PRINTED BY THE AUTHORITY
OF THE STATE OF ILLINOIS**

J.U.L.I.E.: JOINT UTILITY LOCATION
INFORMATION FOR EXCAVATION
(800) 892-0123 OR 811

DISTRICT ONE BUREAU OF MAINTENANCE: J. STUMPNER
MAINTENANCE LANDSCAPE DESIGNER: R. WANNER / T. JACKSON (847) 705-4171

CONTRACT 60R26

ROUTE	SECTION	COUNTY	TOTAL SHEETS	SHEET NUMBER
VARIOUS	2011-096-I	VARIOUS	9	2

CONTRACT 60R26

INDEX OF SHEETS

- 1) COVER SHEET
- 2) INDEX OF SHEETS
- 3) SUMMARY OF QUANTITIES, STATE STANDARDS
- 4) SAMPLE WORK ORDER
- 5) MOWING MAP TYPICAL
- 6) TRIMMING DETAIL
- 7) MOWING DETAIL #1-3
- 8) MOWING DETAIL #4-5
- 9) TC-17 TRAFFIC CONTROL DETAIL FOR FREEWAY SHOULDER CLOSURES AND PARTIAL RAMP CLOSURES

ILLINOIS DEPARTMENT OF TRANSPORTATION

MOWING

INDEX OF SHEETS

ROUTE	SECTION	COUNTY	TOTAL SHEETS	SHEET NUMBER
VARIOUS	2011-096-I	VARIOUS	9	3

CONTRACT 60R26

SUMMARY OF QUANTITIES

PAY ITEM	DESCRIPTION	UNIT	0031	URBAN
			CONTRACT MAINT FUND	100% STATE TOTAL
25000750	MOWING	ACRE	894	894
67100100	MOBILIZATION	L SUM	1	1
X2503110	MOWING (SPECIAL)	ACRE	25	25

STATE STANDARDS


701011-02 701101-02 701311-03
701426-04 701901-01

Rev.

ILLINOIS DEPARTMENT OF TRANSPORTATION
MOWING
SUMMARY OF QUANTITIES
STATE STANDARDS

ROUTE	SECTION	COUNTY	TOTAL SHEETS	SHEET NUMBER
VARIOUS	2011-096-I	VARIOUS	9	4

CONTRACT 60R26

 Illinois Department of Transportation	Contract Number: _____
	Mowing Work Order Number: _____
	Route: _____

30-Day Completion Work Order

Cook	DuPage	Kane	Work Order Prepared By	Team Section
Lake	McHenry	Will		

Location:

Refer to attached mow maps, which are hereby made a part of this work order (_____ sheets)

WORK INCLUDED IN THIS WORK ORDER			
Item	Mow Map Qty	Item	Mow Map Qty
Mowing	_____ acres	Mowing Special	_____ acres

AGREEMENT TO ACCURACY OF WORK ORDER QUANTITIES

The Contractor and Engineer hereby agree that when the work is completed essentially to the lines and dimensions given, no further measurement will be required for any of the above items. Payment will be made for the work order quantities shown.

Engineer Signature and Date

Contractor Signature and Date

AUTHORIZATION OF WORK ORDER	
_____ Technician Signature	
_____ Start Date	_____ Completion Date

CERTIFICATION OF COMPLETION	
_____ Contractor Signature	_____ Date
_____ Number of 33 gallon bags filled with litter and debris	

ACCEPTANCE OF COMPLETED WORK	
I certify that the work order has been completed in conformance with contract requirements.	
_____ Resident Engineer/Technician Signature	_____ Date

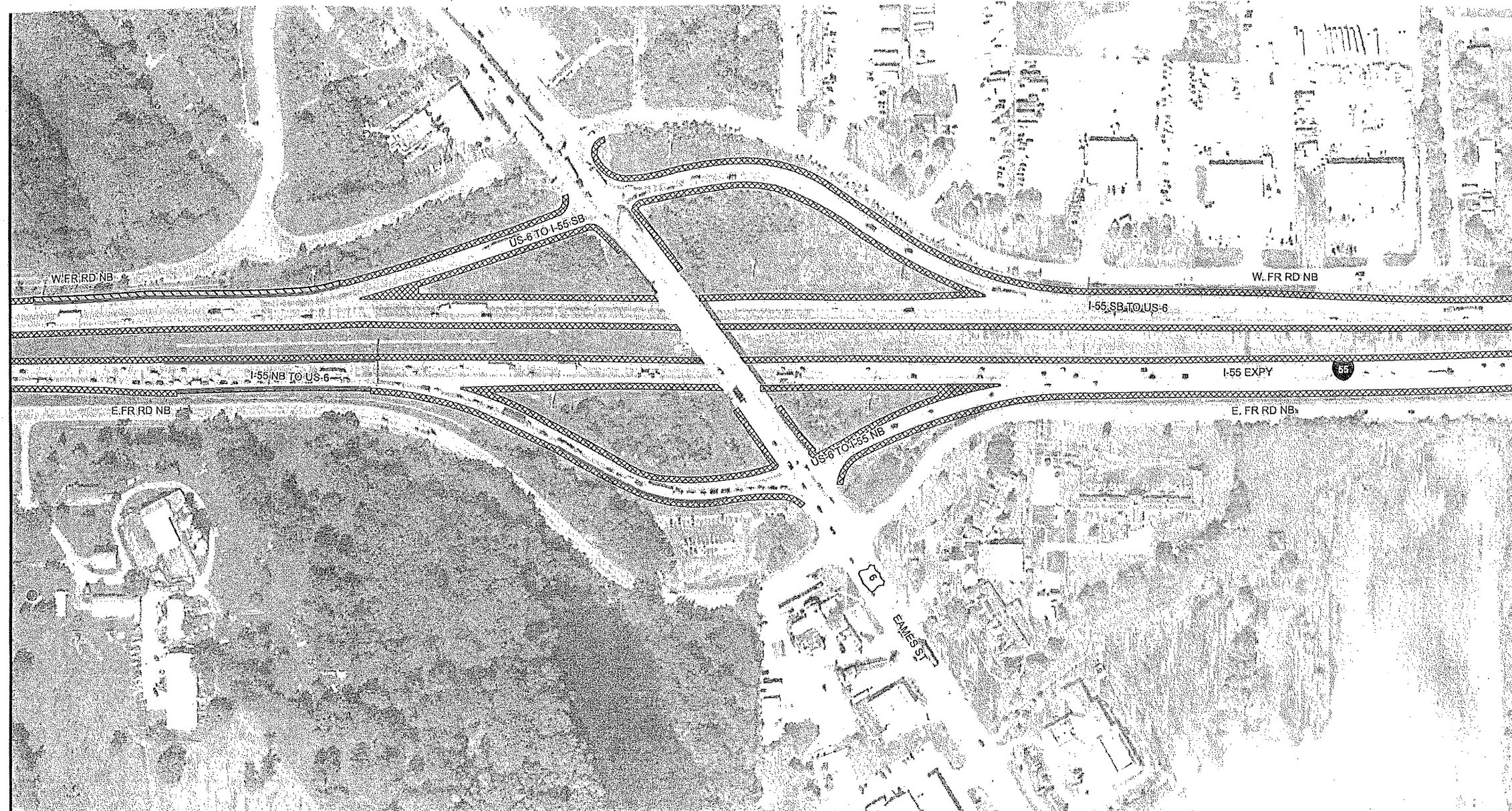
ILLINOIS DEPARTMENT OF TRANSPORTATION

MOWING

SAMPLE WORK ORDER

ROUTE	SECTION	COUNTY	TOTAL SHEETS	SHEET NUMBER
VARIOUS	2011-096-1	VARIOUS	9	5

CONTRACT 60R26



STATE OF ILLINOIS DEPARTMENT OF TRANSPORTATION LANDSCAPE MAINTENANCE	0 100 200 Feet	 ILLINOIS	STRUCTURES — Guardrail - - - Sound Wall = Concrete Barrier Wall = Other Wall - - - Fence	MOWING Mowing Mowing Special	WEED CONTROL WEED CONTROL	Map Prepared by: Team Section: 137 - I-55 Route: FAI-55 Parcel Number: 137-FAI-55-27	Contract #: Work Order #: Sheet #:

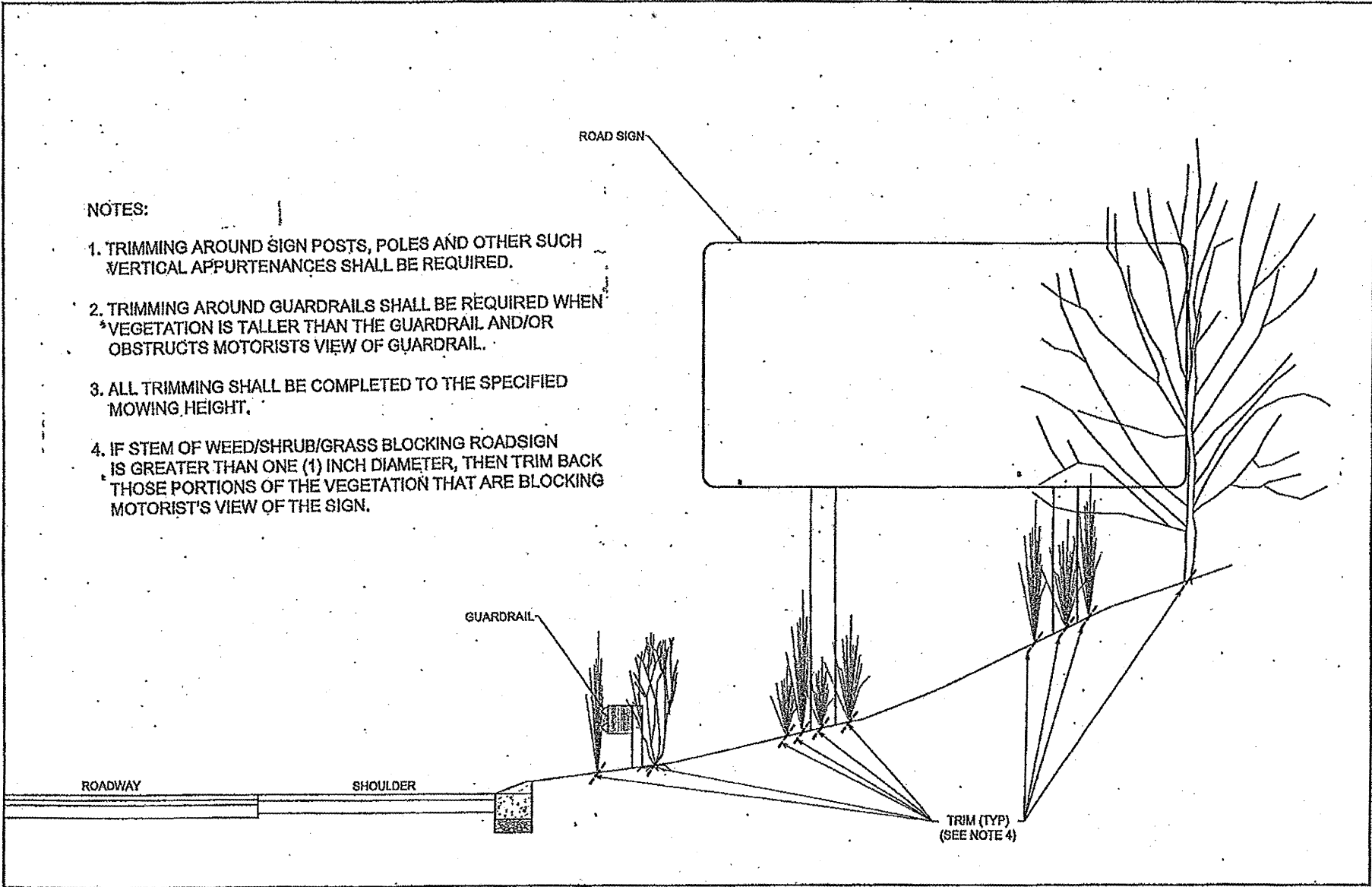
ILLINOIS DEPARTMENT OF TRANSPORTATION

MOWING

MOWING MAP TYPICAL

ROUTE	SECTION	COUNTY	TOTAL SHEETS	SHEET NUMBER
VARIOUS	2011-096-I	VARIOUS	9	6

CONTRACT 60R26



NOTES:

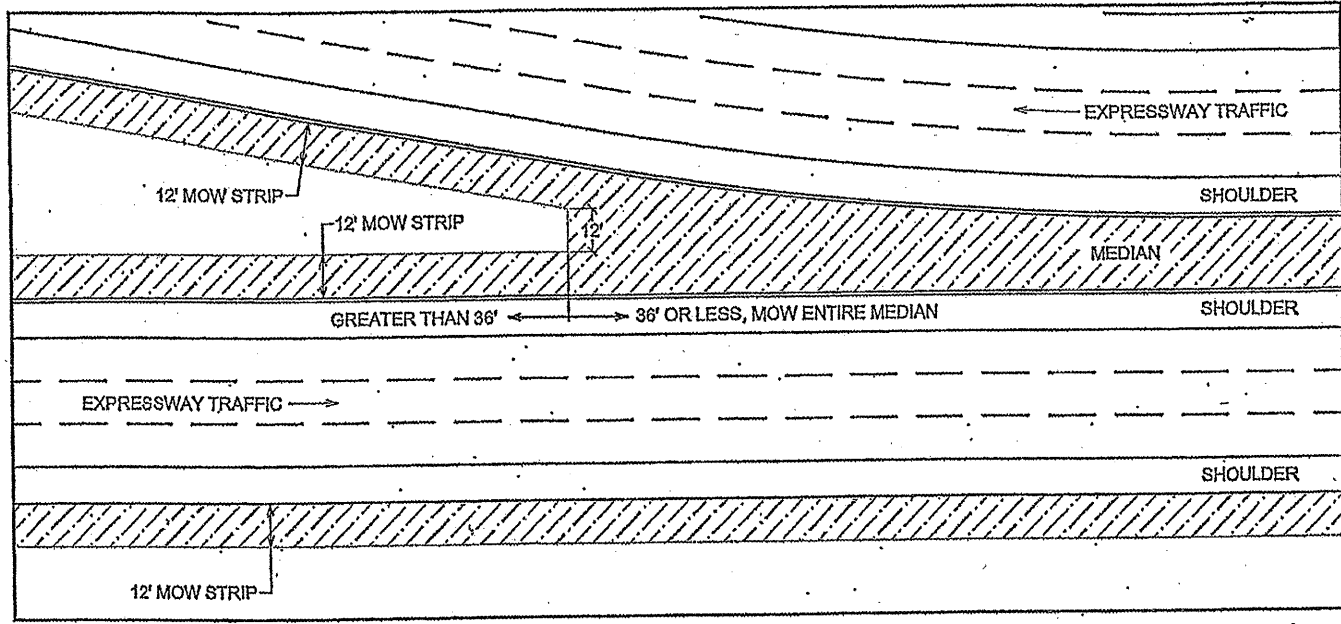
1. TRIMMING AROUND SIGN POSTS, POLES AND OTHER SUCH VERTICAL APPURTENANCES SHALL BE REQUIRED.
2. TRIMMING AROUND GUARDRAILS SHALL BE REQUIRED WHEN VEGETATION IS TALLER THAN THE GUARDRAIL AND/OR OBSTRUCTS MOTORISTS VIEW OF GUARDRAIL.
3. ALL TRIMMING SHALL BE COMPLETED TO THE SPECIFIED MOWING HEIGHT.
4. IF STEM OF WEED/SHRUB/GRASS BLOCKING ROADSIGN IS GREATER THAN ONE (1) INCH DIAMETER, THEN TRIM BACK THOSE PORTIONS OF THE VEGETATION THAT ARE BLOCKING MOTORIST'S VIEW OF THE SIGN.

ILLINOIS DEPARTMENT OF TRANSPORTATION

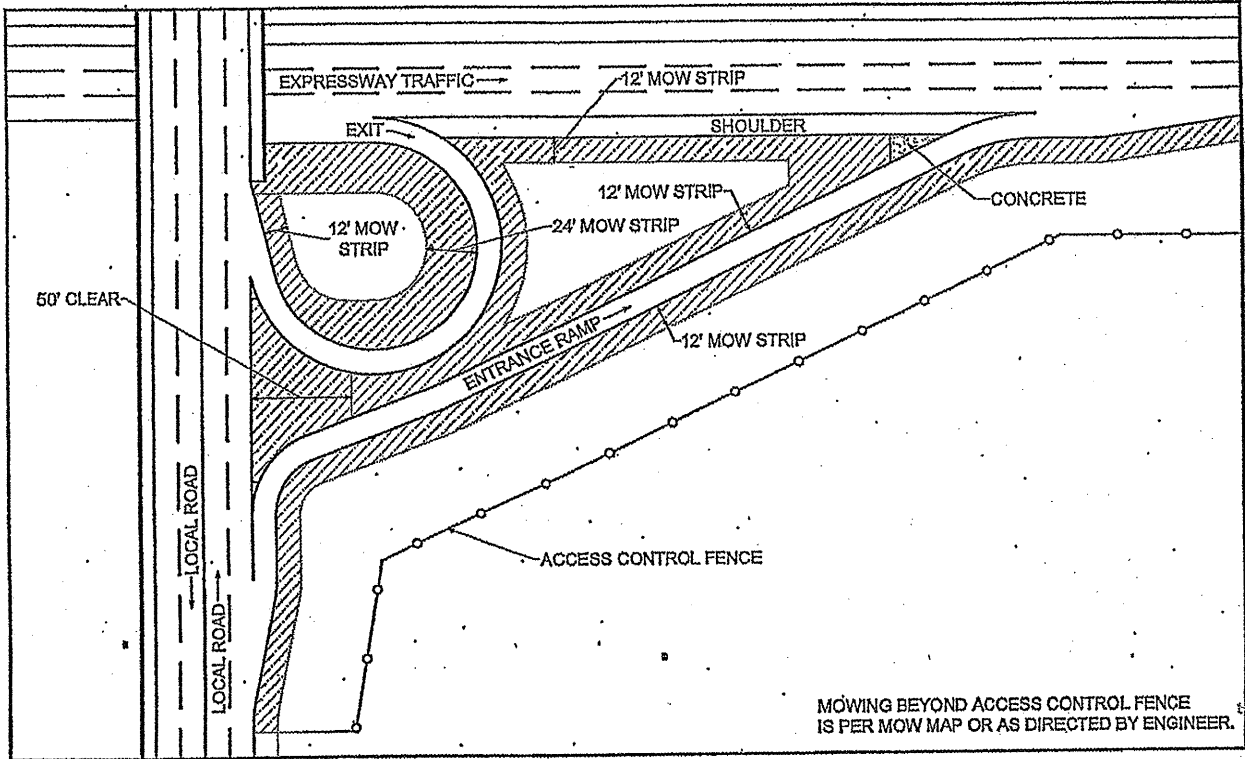
MOWING
TRIMMING DETAIL

ROUTE	SECTION	COUNTY	TOTAL SHEETS	SHEET NUMBER
VARIOUS	2011-096-I	VARIOUS	9	7

CONTRACT 60R26

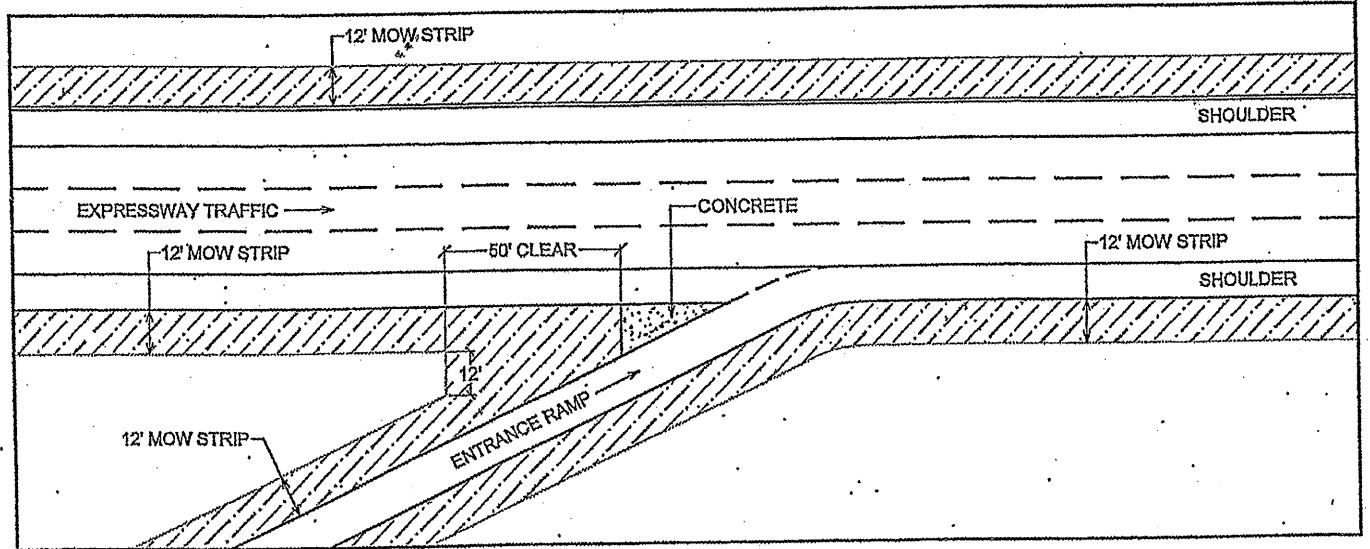


Not to Scale Mowing Detail #1
Medians



Not to Scale Mowing Detail #2
Circular Ramp and Local Road

MOWING BEYOND ACCESS CONTROL FENCE IS PER MOW MAP OR AS DIRECTED BY ENGINEER.



Not to Scale Mowing Detail #3
Straight Merge Ramp

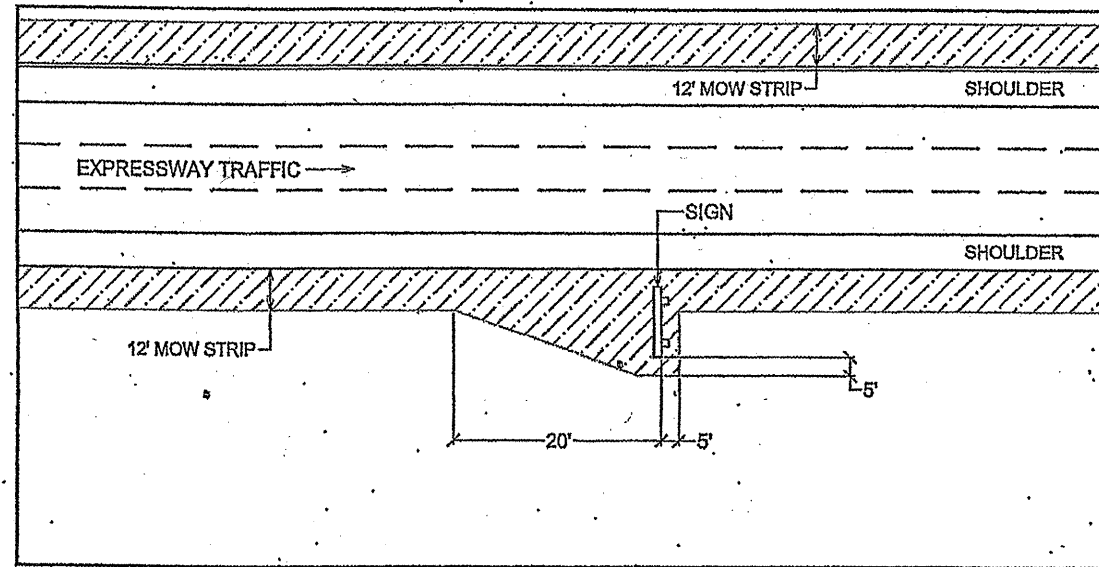
ILLINOIS DEPARTMENT OF TRANSPORTATION

MOWING

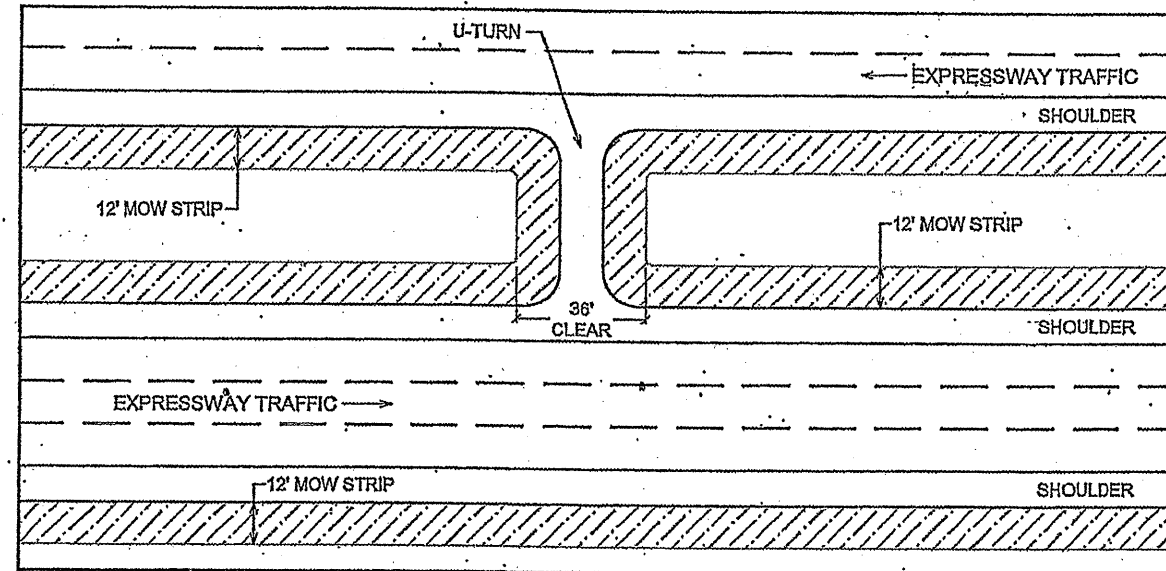
MOWING DETAILS #1 #2 & #3

ROUTE	SECTION	COUNTY	TOTAL SHEETS	SHEET NUMBER
VARIOUS	2011-096-I	VARIOUS	9	8

CONTRACT 60R26



Not to Scale
Mowing Detail #4
Roadway Signs



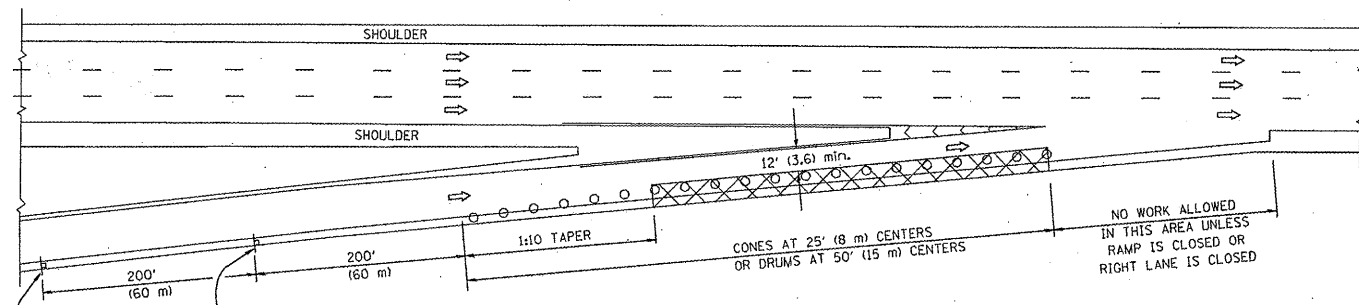
Not to Scale
Mowing Detail #5
U-Turns

ILLINOIS DEPARTMENT OF TRANSPORTATION

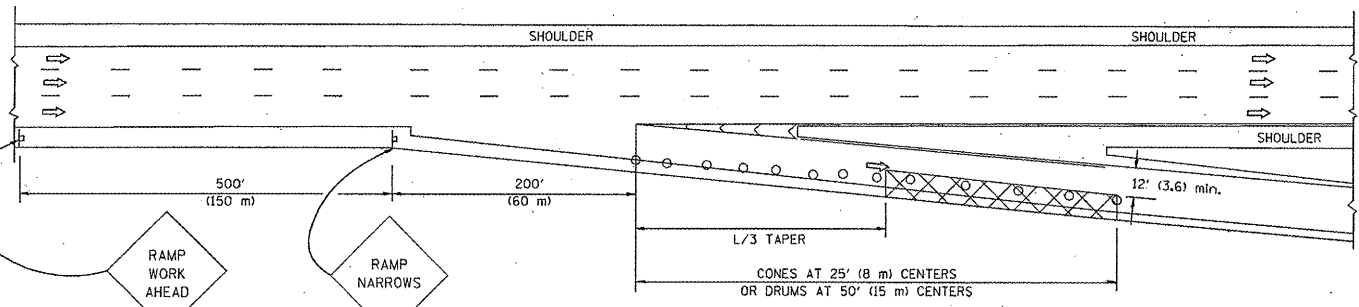
MOWING

MOWING DETAILS #4 & #5

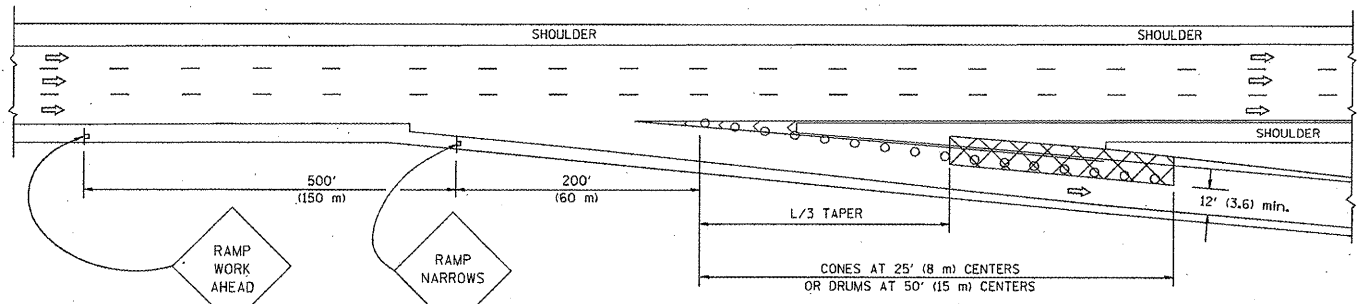
PARTIAL RAMP CLOSURE DETAILS



TYPICAL ENTRANCE RAMP



TYPICAL EXIT RAMP



TYPICAL EXIT RAMP

SYMBOLS

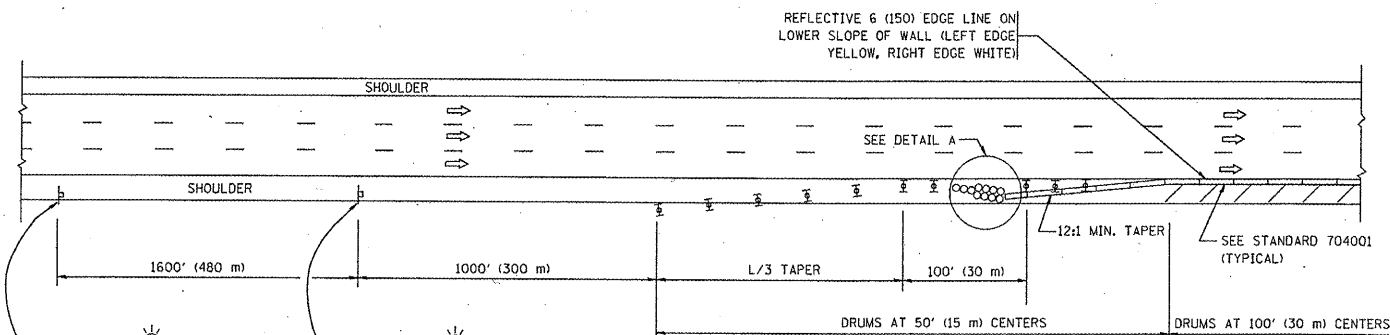
- ACTIVE WORK AREA
- SIGN ON PORTABLE OR PERMANENT SUPPORT
- FLAGGER WITH CONTROL SIGN
- TYPE II BARRICADE, DRUM OR VERTICAL BARRICADE WITH STEADY BURN MONO-DIRECTIONAL LIGHT
- CONE, DRUM OR BARRICADE

GENERAL NOTES

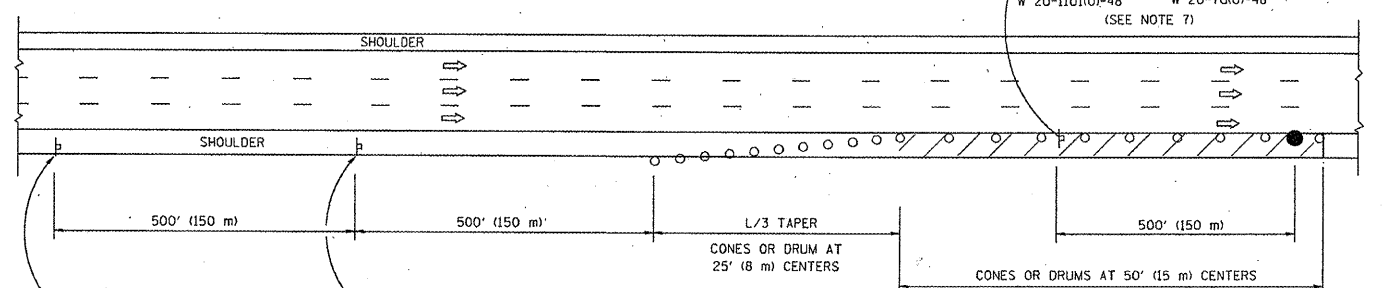
1. THE "L" DISTANCE EQUALS:

SPEED LIMIT	FORMULAS
45 mph (80 km/h) OR GREATER:	METRIC ENGLISH $L=0.65(W/S)$ $L=(W/S)$
W = WIDTH OF OFFSET IN FEET (METERS)	
S = NORMAL POSTED SPEED MPH (KM/H)	
2. PLASTIC DRUMS WITH HIGH PERFORMANCE REFLECTIVE SHEETING AND STEADY BURNING LIGHTS ARE REQUIRED FOR ALL NIGHTTIME CLOSURES.
3. ALL SIGNS SHALL BE POST MOUNTED IF THE CLOSURE TIME EXCEEDS FOUR DAYS.
4. FLASHING LIGHTS SHALL BE USED DURING THE HOURS OF DARKNESS AND SHALL BE INSTALLED ABOVE THE FIRST TWO SETS OF SIGNS.
5. THE IMPACT ATTENUATOR, TEMPORARY IS NOT REQUIRED WHEN THE TEMPORARY CONCRETE BARRIER WALL IS PROTECTED BY OR IS TIED INTO THE EXISTING GUARDRAIL. IF OFFSET IS LESS THAN 5 FEET USE NARROW USE TYPE DEVICE TO MEET NCHRP350.
6. AUTHORIZATION FROM THE DISTRICT'S BUREAU OF TRAFFIC IS REQUIRED FOR ALL FREEWAY CLOSURES.
7. THE FLAGGER AND FLAGGER SIGN ARE REQUIRED AT THE ABOVE WORK SITES WHEN:
 - a. FOUR OR MORE WORK VEHICLES ENTER THE TRAFFIC LANES IN A ONE HOUR PERIOD.
 - b. THE WORK ACTIVITY REQUIRES FREQUENT ENCROACHMENT INTO THE LANE OPEN TO TRAFFIC.
 THE FLAGGER SHALL BE STATIONED APPROXIMATELY 100' (30 m) TO 200' (60 m) IN ADVANCE OF THE WORKERS.

SHOULDER CLOSURE DETAILS

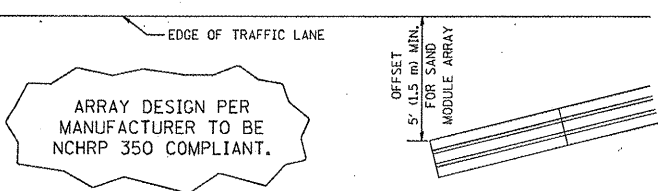


PERMANENT SHOULDER CLOSURE



DAYTIME SHOULDER CLOSURE

THIS DETAIL IS USED WHERE:
 1. VEHICLES, EQUIPMENT, WORKERS OR THEIR ACTIVITIES ENCROACH IN AN AREA CLOSER THAN 15' (4.5 m) TO THE EDGE OF PAVEMENT FOR A PERIOD IN EXCESS OF 15 MINUTES.



DETAIL "A"
 IMPACT ATTENUATOR, TEMPORARY
 (SEE NOTE 5)

ALL DIMENSIONS ARE IN INCHES (MILLIMETERS) UNLESS OTHERWISE SHOWN.

FILE NAME =
 W:\statstd\22x34\1cl7.dgn

USER NAME = leysa	DESIGNED -	REVISED - 04-03
PLOT SCALE = 5/8"=1'-0"	DRAWN - D.W.S.	REVISED - J.A.F. 12-06
PLOT DATE = 1/26/2010	CHECKED -	REVISED - S.P.B. 01-07
	DATE - 11-96	REVISED - S.P.B. 12-09

STATE OF ILLINOIS
 DEPARTMENT OF TRANSPORTATION

TRAFFIC CONTROL DETAILS FOR FREEWAY SHOULDER CLOSURES AND PARTIAL RAMP CLOSURES			
SCALE: NONE	SHEET NO. 1 OF 1 SHEETS	STA. TO STA.	

F.A. RTE.	SECTION	COUNTY	TOTAL SHEETS	SHEET NO.
VAR 201-096-I	TC-17	VAR	9	9
FED. ROAD DIST. NO. 1 (ILLINOIS) FED. AID PROJECT			CONTRACT NO. 60R36	