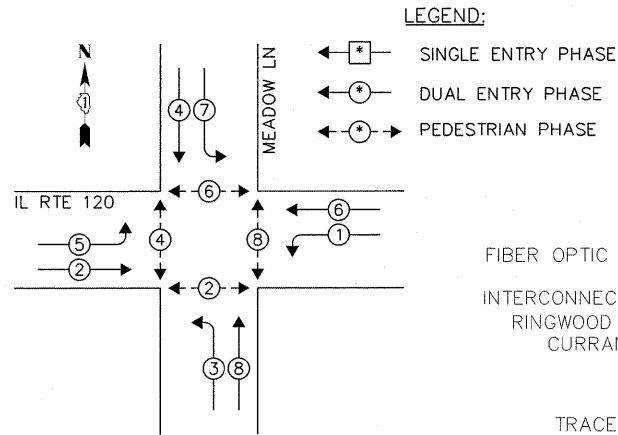
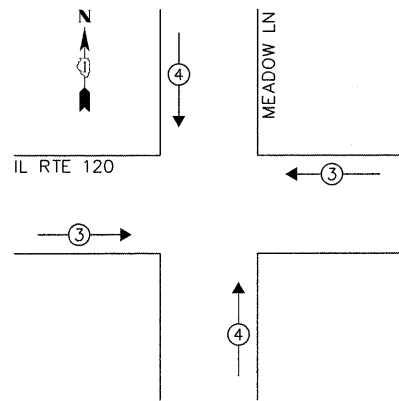


CONTROLLER SEQUENCE



PHASE DESIGNATION DIAGRAM

EMERGENCY VEHICLE PREEMPTION SEQUENCE



EXISTING EMERGENCY VEHICLE PREEMPTORS		
EMERGENCY VEHICLE PREEMPTOR	3	4
MOVEMENT	←	↑

I.D.O.T. TRAFFIC SIGNAL INSTALLATION ELECTRICAL SERVICE REQUIREMENTS					TOTAL WATTAGE
TYPE	NO. OF LAMPS	WATTAGE		% OPERATION	
SIGNAL (RED)	12	INCAND.	17	0.50	102.00
(YELLOW)	12		25	0.25	75.00
(GREEN)	12		15	0.25	45.00
ARROW	16		12	0.10	19.20
PED. SIGNAL	8		25	1.00	200.00
CONTROLLER	1		100	1.00	100.00
ILLUM. SIGN	-		25	0.05	-
VIDEO SYSTEM	-		-	1.00	-
FLASHER				0.50	
ENERGY COSTS TO:					TOTAL = 541.20

CITY OF McHENRY

333 SOUTH GREEN STREET
McHENRY, IL 60050

ENERGY SUPPLY: CONTACT: MIKE LENOX

PHONE: (815) 490-2869

COMPANY: COMMONWEALTH EDISON

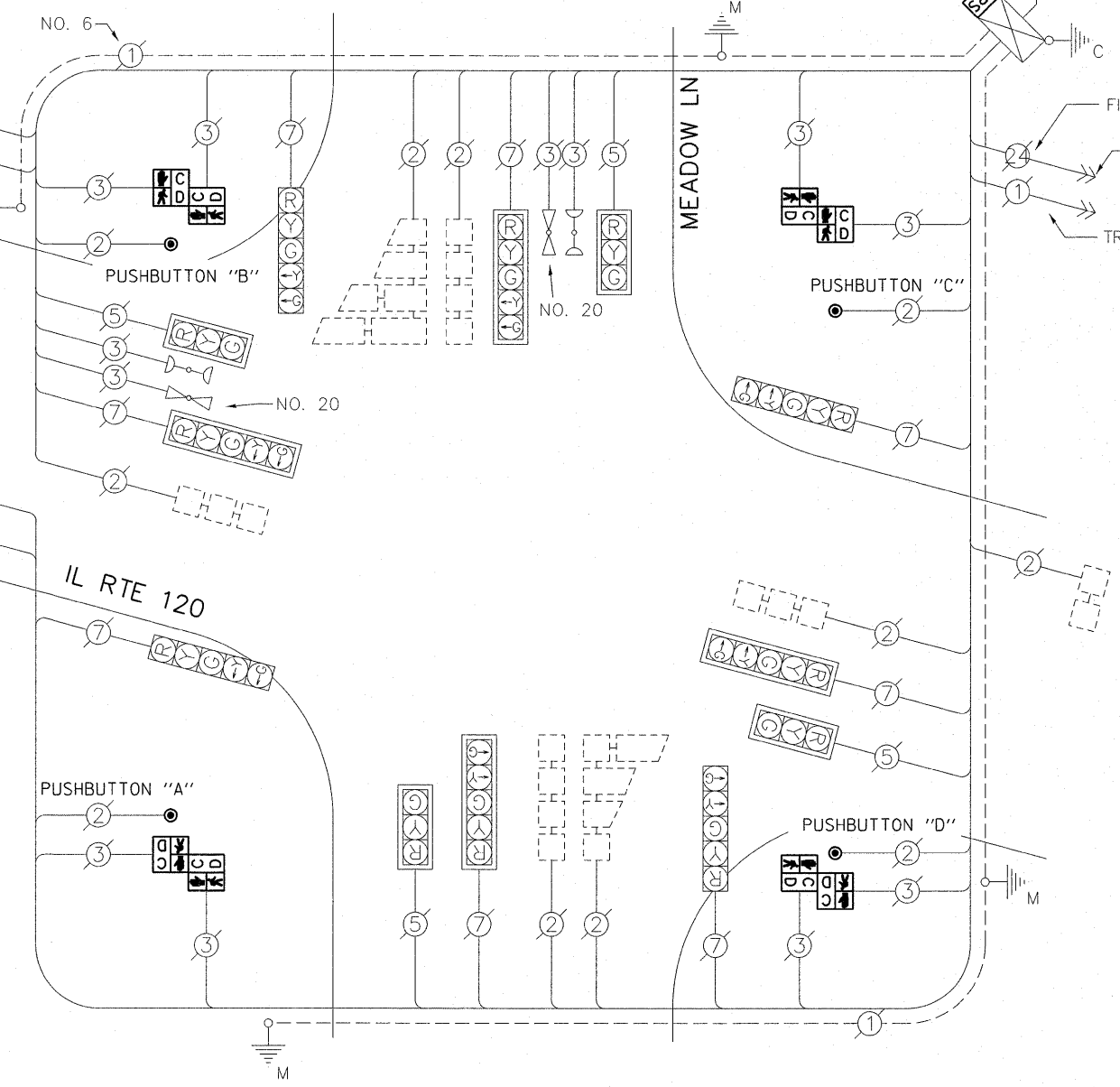
FILE NAME =	USER NAME = placenoi	DESIGNED - IP	REVISED -
#FILEABBREV#		DRAWN - IP	REVISED -
	PLOT SCALE = 20,000' / in.	CHECKED - AW	REVISED -
	PLOT DATE = 10/27/2011	DATE - 10/25/2011	REVISED -

LEGEND:

- ← * SINGLE ENTRY PHASE
- ← * DUAL ENTRY PHASE
- ← * PEDESTRIAN PHASE

FIBER OPTIC CABLE
INTERCONNECT TO RINGWOOD RD/CURRAN RD
TRACER CABLE

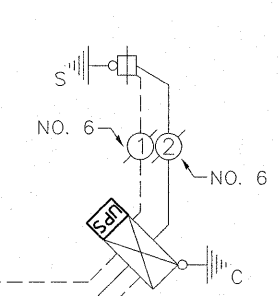
INTERSECTION AND (SAMPLING) SYSTEM DETECTORS



CABLE PLAN

NOTE:

- PUSHBUTTON "A" SHALL PLACE A CALL IN PHASES 2 AND 4
- PUSHBUTTON "B" SHALL PLACE A CALL IN PHASES 4 AND 6
- PUSHBUTTON "C" SHALL PLACE A CALL IN PHASES 6 AND 8
- PUSHBUTTON "D" SHALL PLACE A CALL IN PHASES 2 AND 8



FIBER OPTIC CABLE
INTERCONNECT TO OAK DR
TRACER CABLE

THE FOLLOWING ITEMS SHALL BE REMOVED BY THE CONTRACTOR AND SHALL BE DISPOSED OF BY THEM OUTSIDE THE RIGHT-OF-WAY AT THEIR EXPENSE. THE SALVAGE VALUE OF THE REMOVED EQUIPMENT SHALL BE REFLECTED IN THE CONTRACT BID PRICE.

- 8 EACH PEDESTRIAN SIGNAL HEAD
- 4 EACH PEDESTRIAN PUSH-BUTTON

SCHEDULE OF QUANTITIES

ITEM	UNIT	QUANTITY
MAINTENANCE OF EXISTING TRAFFIC SIGNAL INSTALLATION	EACH	1
PEDESTRIAN SIGNAL HEAD, LED, 2-FACE, BM WITH COUNTDOWN TIMER	EACH	4
MODIFY EXISTING CONTROLLER CABINET	EACH	1
REMOVE EXISTING TRAFFIC SIGNAL EQUIPMENT	EACH	1
PEDESTRIAN PUSH-BUTTON, NON-LATCHING	EACH	4
UNINTERRUPTIBLE POWER SUPPLY SPECIAL	EACH	1

STATE OF ILLINOIS
DEPARTMENT OF TRANSPORTATION

SCHEDULE OF QUANTITIES, CABLE PLAN, PHASE DESIGNATION DIAGRAM AND EMERGENCY VEHICLE PREEMPTION SEQUENCE
IL RTE 120 AND MEADOW LN

F.A.U. RTE.	SECTION	COUNTY	TOTAL SHEETS	SHEET NO.
-	2011-208-TS	McHENRY	57	44
CONTRACT NO. 60R37				

SCALE: 1" = SHEET NO. OF SHEETS STA. TO STA.

