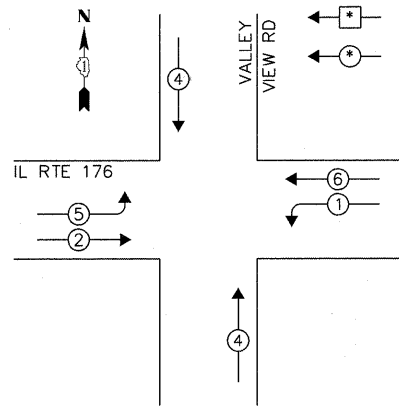


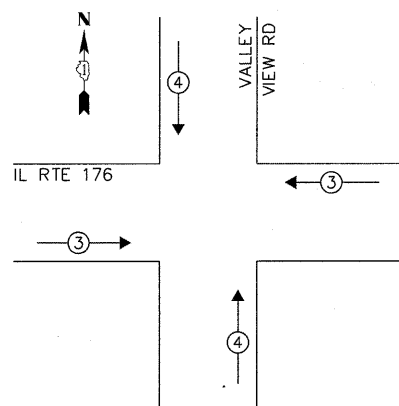
CONTROLLER SEQUENCE



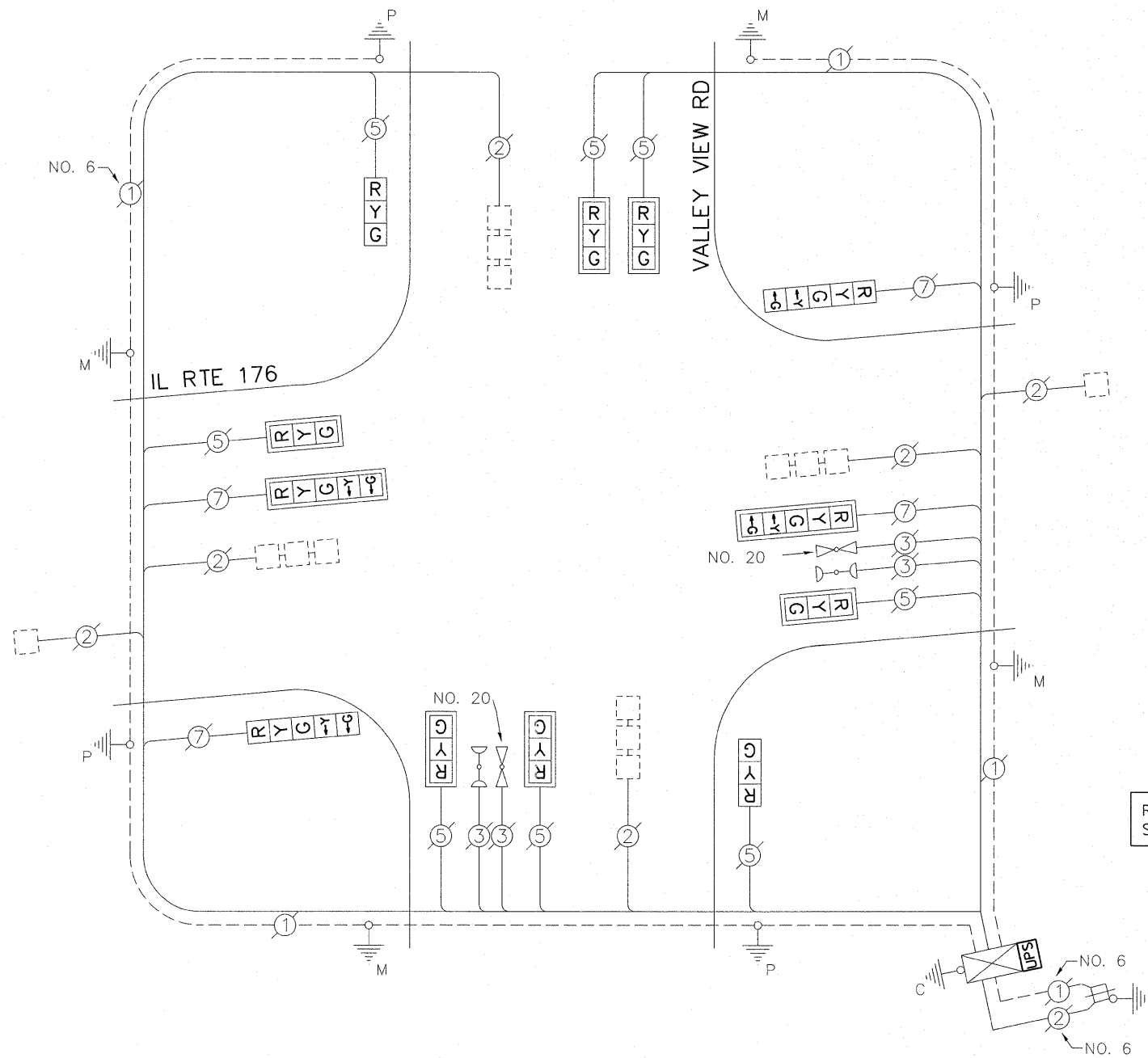
LEGEND:  
 [Symbol] SINGLE ENTRY PHASE  
 [Symbol] DUAL ENTRY PHASE

PHASE DESIGNATION DIAGRAM

EMERGENCY VEHICLE PREEMPTION SEQUENCE



EXISTING EMERGENCY VEHICLE PREEMPTORS		
EMERGENCY VEHICLE PREEMPTOR	3	4
MOVEMENT	← →	↑ ↓



RETROFIT ALL EXISTING TRAFFIC SIGNAL HEADS TO L.E.D.

CABLE PLAN

I.D.O.T. TRAFFIC SIGNAL INSTALLATION ELECTRICAL SERVICE REQUIREMENTS					TOTAL WATTAGE
TYPE	NO. OF LAMPS	WATTAGE		% OPERATION	
SIGNAL (RED)	12	INCAND.	LED	0.50	102.00
(YELLOW)	12		25	0.25	75.00
(GREEN)	12		15	0.25	45.00
ARROW	8		12	0.10	9.60
PED. SIGNAL	-		25	1.00	-
CONTROLLER	1		100	1.00	100.00
ILLUM. SIGN	-		25	0.05	-
VIDEO SYSTEM	-		-	1.00	-
FLASHER				0.50	
ENERGY COSTS TO:					TOTAL = 331.60

VILLAGE OF PRAIRIE GROVE  
 3125 BARREVILLE ROAD  
 PRAIRIE GROVE, IL 60012  
 ENERGY SUPPLY: CONTACT: MIKE LENOX  
 PHONE: (815) 490-2869  
 COMPANY: COMMONWEALTH EDISON

SCHEDULE OF QUANTITIES

ITEM	UNIT	QUANTITY
MAINTENANCE OF EXISTING TRAFFIC SIGNAL INSTALLATION	EACH	1
MODIFY EXISTING CONTROLLER CABINET	EACH	1
SIGNAL HEAD, LED, 1-FACE, 3-SECTION, BM, RETROFIT	EACH	2
SIGNAL HEAD, LED, 1-FACE, 3-SECTION, MAM, RETROFIT	EACH	6
SIGNAL HEAD, LED, 1-FACE, 5-SECTION, MAM, RETROFIT	EACH	2
SIGNAL HEAD, LED, 1-FACE, 5-SECTION, BM, RETROFIT	EACH	2
UNINTERRUPTIBLE POWER SUPPLY SPECIAL	EACH	1