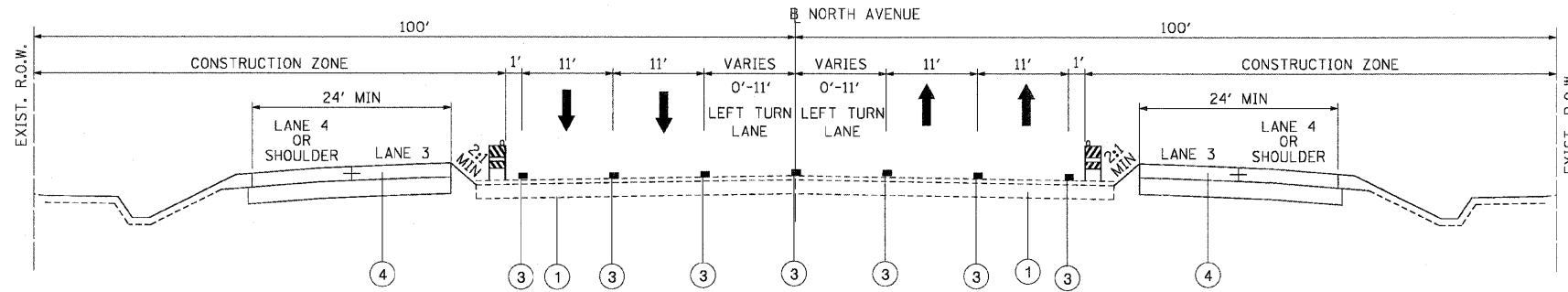


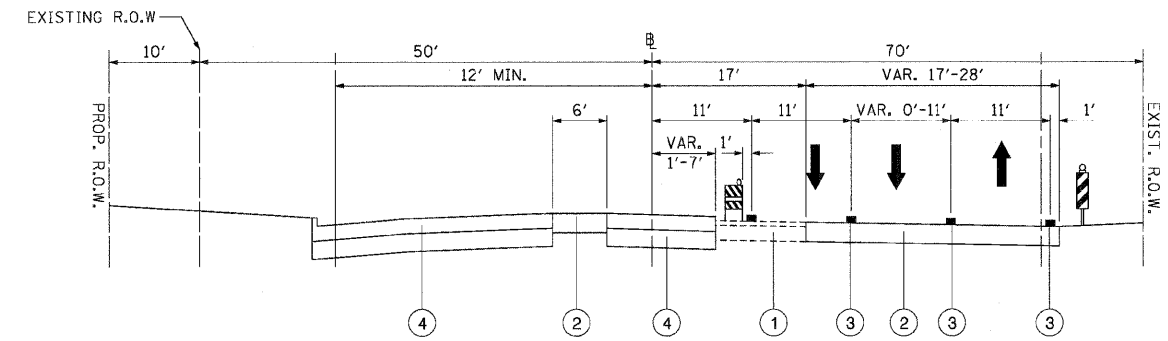
F.A.P. RTE.	SECTION	COUNTY	TOTAL SHEETS	SHEET NO.
307	130 R-2	DUPAGE, KANE	647	100
STA.		TO STA.		
FED. ROAD DIST. NO.		ILLINOIS FED. AID PROJECT		

62410



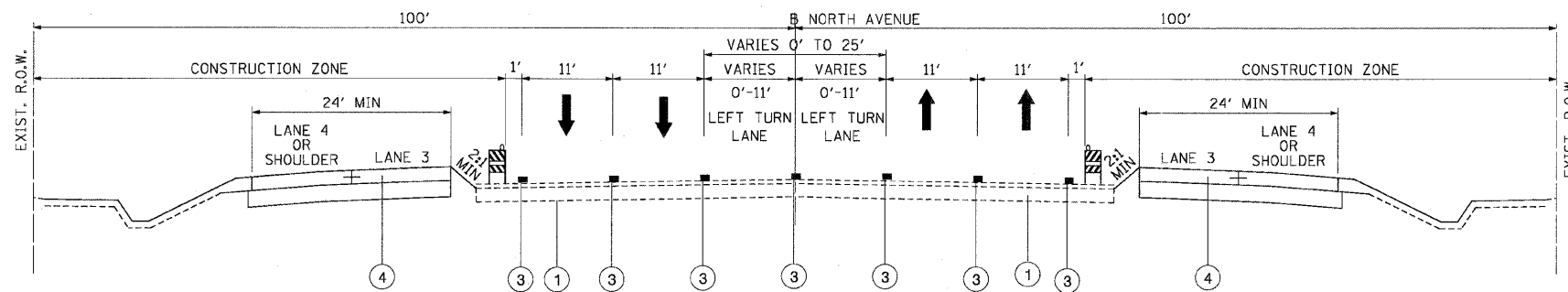
CONSTRUCTION STAGING TYPICAL SECTION  
 NORTH AVENUE, STAGE 1 & 1A

STA. 3268+00 TO STA. 3409+35



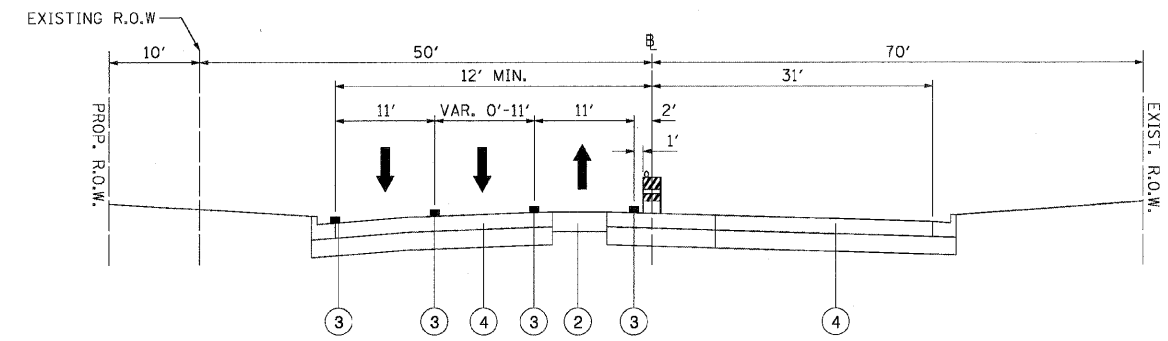
CONSTRUCTION STAGING TYPICAL SECTION  
 SMITH ROAD, STAGE 1

STA. 9850+92 TO STA. 9856+43



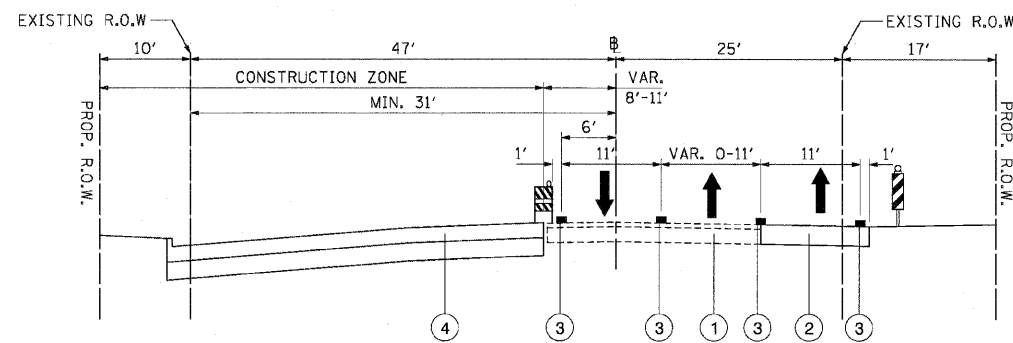
CONSTRUCTION STAGING TYPICAL SECTION  
 NORTH AVENUE, STAGE 1 & 1A

STA. 3268+00 TO STA. 3409+35



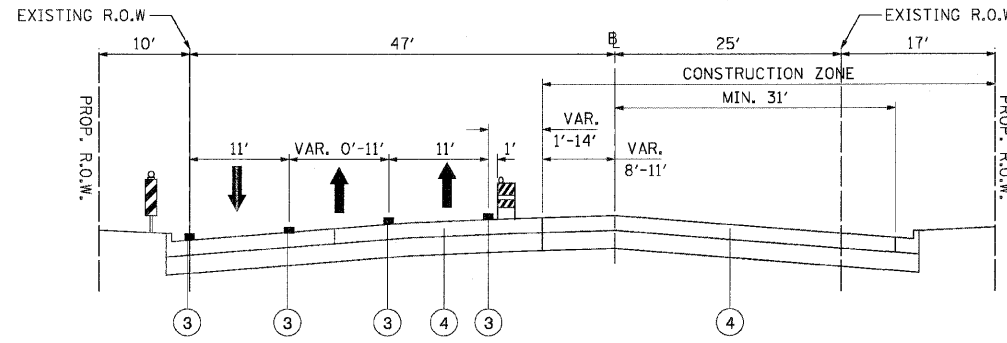
CONSTRUCTION STAGING TYPICAL SECTION  
 SMITH ROAD, STAGE 1A

STA. 9850+92 TO STA. 9856+43



CONSTRUCTION STAGING TYPICAL SECTION  
 KAUTZ ROAD, STAGE 1

STA. 9842+50 TO STA. 9850+00



CONSTRUCTION STAGING TYPICAL SECTION  
 KAUTZ ROAD, STAGE 1A

STA. 9842+50 TO STA. 9850+00

M.O.T. LEGEND:

- ① EXISTING PAVEMENT
- ② TEMPORARY PAVEMENT
- ③ TEMPORARY PAVEMENT MARKING
- ④ PROPOSED PAVEMENT
- ⑤ TEMPORARY BARRIER WALL
- ⑥ PROPOSED MSE WALL
- ⑦ TEMPORARY MSE WALL

REVISIONS	
NAME	DATE

ILLINOIS DEPARTMENT OF TRANSPORTATION  
 F.A.P. ROUTE 307 (ILLINOIS ROUTE 64)  
 SUGGESTED STAGES OF  
 CONSTRUCTION AND  
 TRAFFIC CONTROL  
 TYPICAL SECTIONS - STAGE 1 & 1A  
 SCALE: VERT: NONE  
 HORIZ: NONE  
 DATE: MAY 13, 2011  
 DRAWN BY: KK - JWM  
 CHECKED BY: MD

