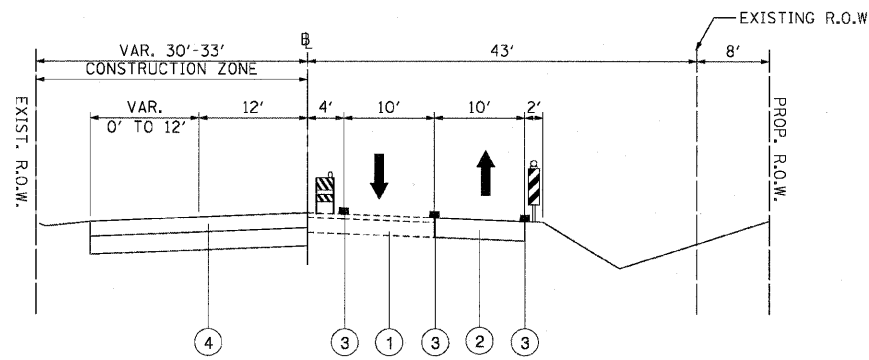


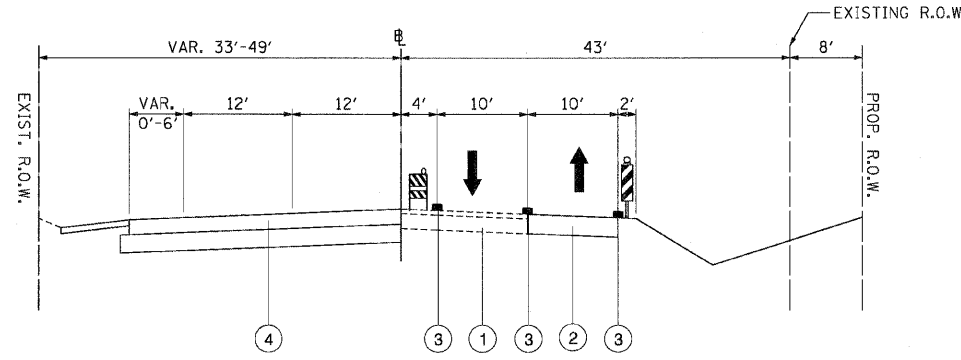
F.A.P. RTE.	SECTION	COUNTY	TOTAL SHEETS	SHEET NO.
307	130 R-2	DUPAGE, KANE	647	102
STA.	TO STA.			
FED. ROAD DIST. NO.	ILLINOIS	FED. AID PROJECT		

62410



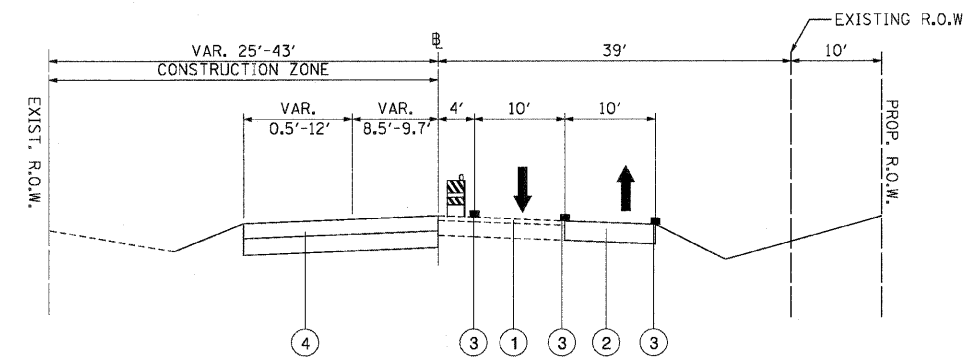
CONSTRUCTION STAGING TYPICAL SECTION
 POWIS ROAD, STAGE 1

STA. 6578+73 TO STA. 6584+09.53



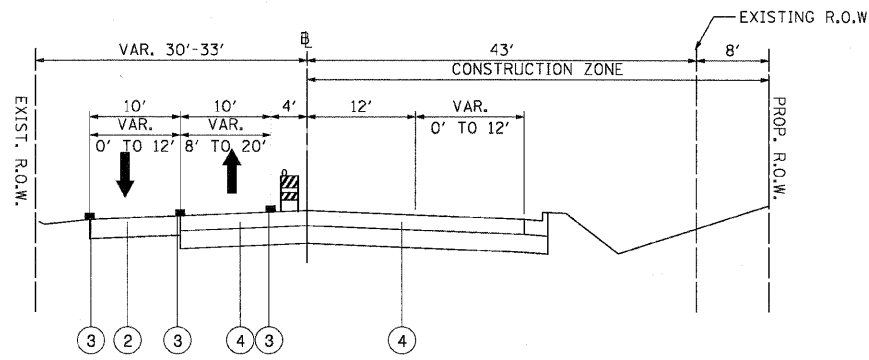
CONSTRUCTION STAGING TYPICAL SECTION
 POWIS ROAD, STAGE 1

STA. 6584+09.53 TO STA. 6590+87.84



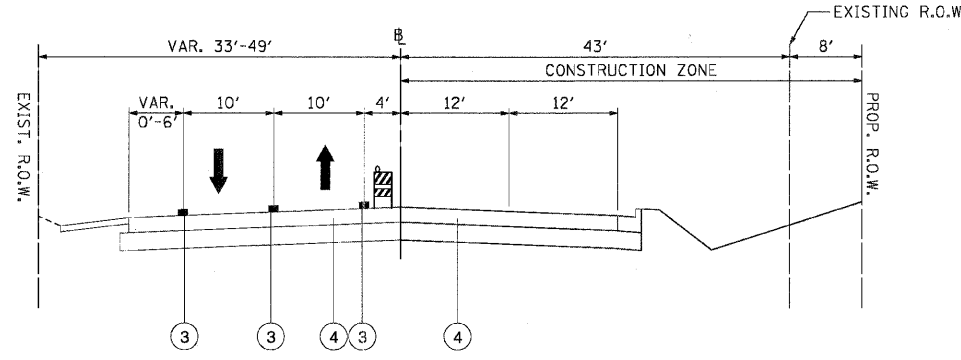
CONSTRUCTION STAGING TYPICAL SECTION
 POWIS ROAD, STAGE 1

STA. 6593+73 TO STA. 6603+37



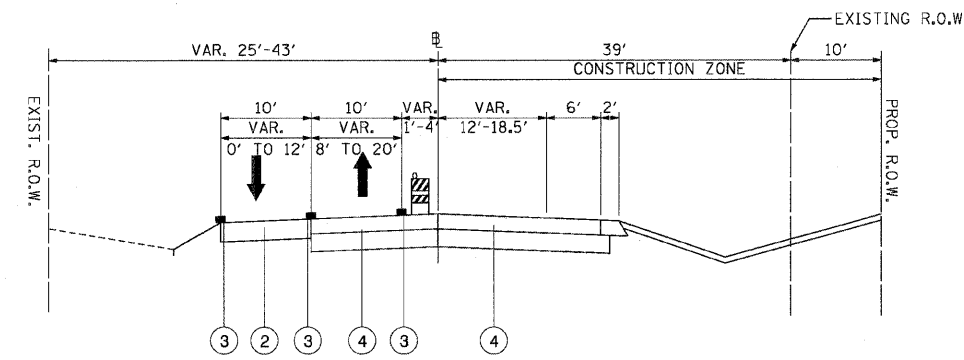
CONSTRUCTION STAGING TYPICAL SECTION
 POWIS ROAD, STAGE 1A

STA. 6578+73 TO STA. 6583+59.78



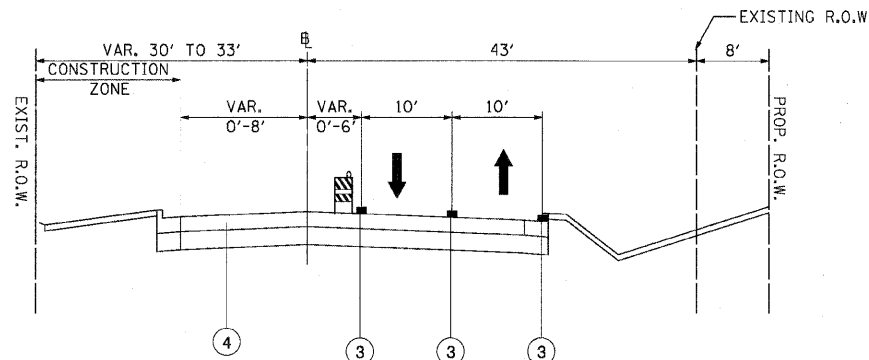
CONSTRUCTION STAGING TYPICAL SECTION
 POWIS ROAD, STAGE 1A

STA. 6583+59.78 TO STA. 6590+87.84



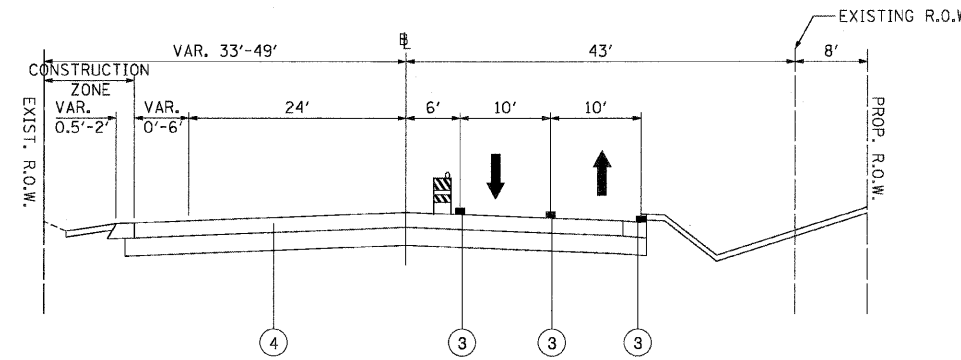
CONSTRUCTION STAGING TYPICAL SECTION
 POWIS ROAD, STAGE 1A

STA. 6593+73 TO STA. 6603+36



CONSTRUCTION STAGING TYPICAL SECTION
 POWIS ROAD, STAGE 1B

STA. 6578+73 TO STA. 6583+59.78



CONSTRUCTION STAGING TYPICAL SECTION
 POWIS ROAD, STAGE 1B

STA. 6583+59.78 TO STA. 6590+87.84

M.O.T. LEGEND:

- ① EXISTING PAVEMENT
- ② TEMPORARY PAVEMENT
- ③ TEMPORARY PAVEMENT MARKING
- ④ PROPOSED PAVEMENT
- ⑤ TEMPORARY BARRIER WALL
- ⑥ PROPOSED MSE WALL
- ⑦ TEMPORARY MSE WALL

REVISIONS	
NAME	DATE

ILLINOIS DEPARTMENT OF TRANSPORTATION
 F.A.P. ROUTE 307 (ILLINOIS ROUTE 64)
 SUGGESTED STAGES OF
 CONSTRUCTION AND
 TRAFFIC CONTROL
 TYPICAL SECTIONS - STAGE 1, 1A, 1B
 SCALE: VERT: NONE
 HORIZ: NONE
 DATE: NOVEMBER 1, 2011
 DRAWN BY: AFC
 CHECKED BY: NJH

