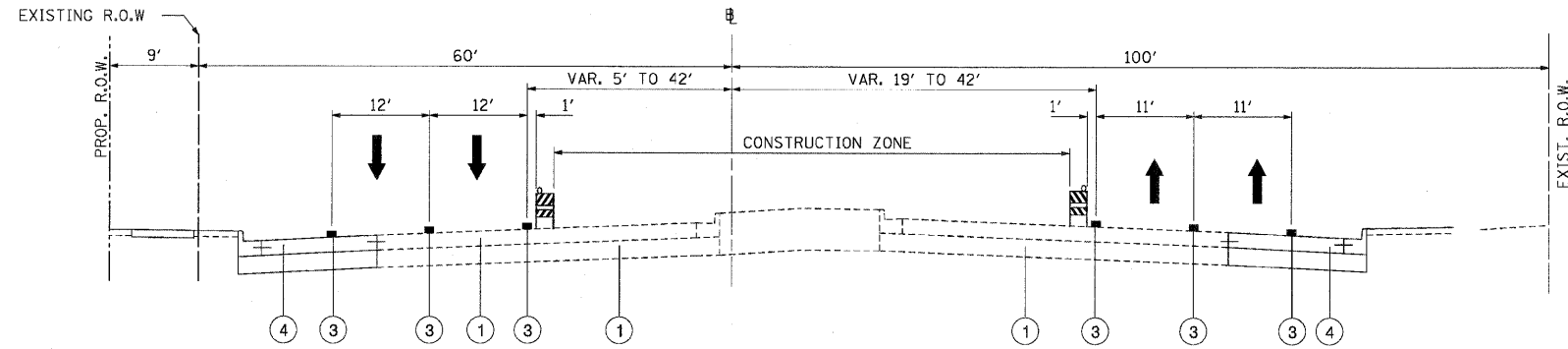
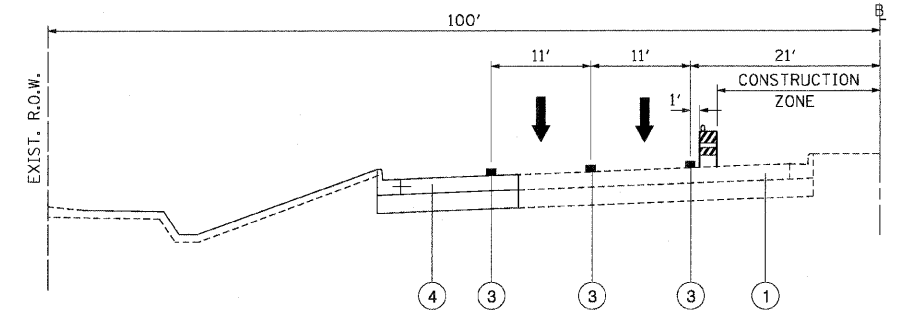


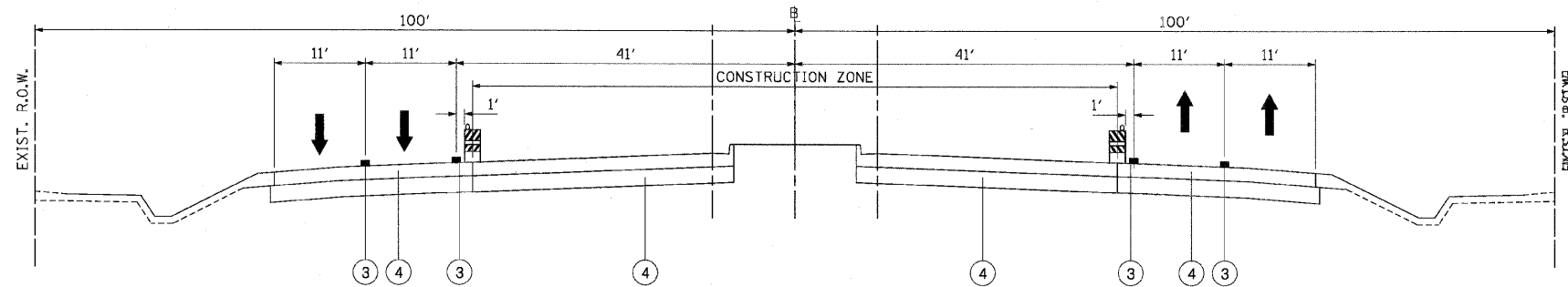
F.A.P. RTE.	SECTION	COUNTY	TOTAL SHEETS	SHEET NO.
307	130 R-2	DUPAGE, KANE	647	103
STA.		TO STA.		
FED. ROAD DIST. NO.		ILLINOIS FED. AID PROJECT		



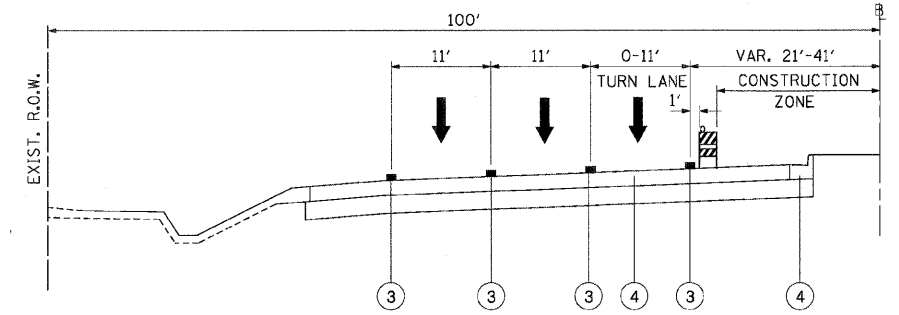
**CONSTRUCTION STAGING TYPICAL SECTION**  
 NORTH AVENUE, STAGE 2 & 2A  
 STA. 3267+17 TO STA. 3280+00



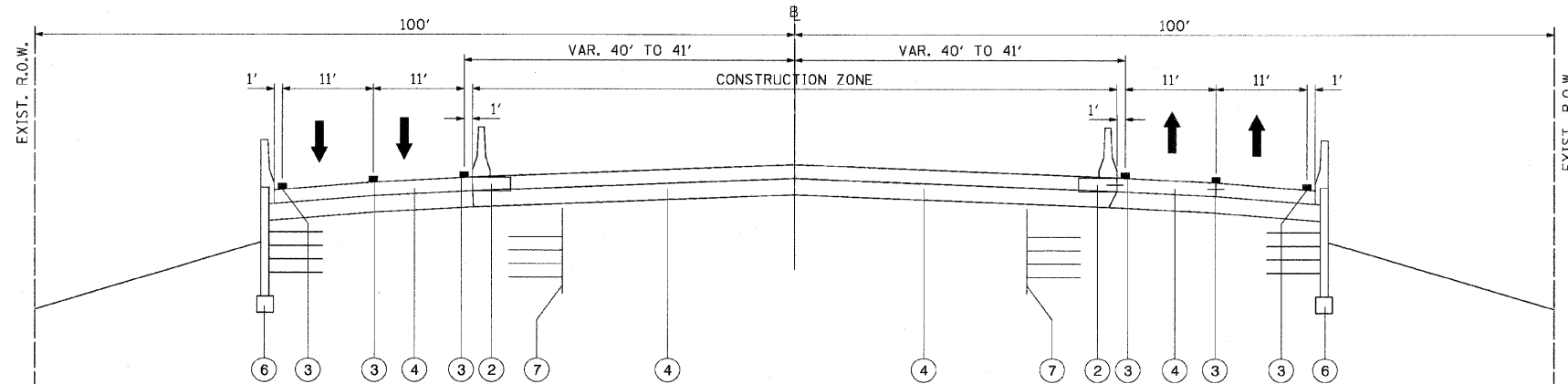
**CONSTRUCTION STAGING TYPICAL SECTION**  
 NORTH AVENUE, STAGE 2A  
 STA. 3277+50 TO STA. 3281+83



**CONSTRUCTION STAGING TYPICAL SECTION**  
 NORTH AVENUE, STAGE 2 & 2A  
 STA. 3280+00 TO STA. 3348+00  
 STA. 3368+00 TO STA. 3419+00



**CONSTRUCTION STAGING TYPICAL SECTION**  
 NORTH AVENUE, STAGE 2A  
 STA. 3281+83 TO STA. 3287+00



**CONSTRUCTION STAGING TYPICAL SECTION**  
 NORTH AVENUE, STAGE 2 & 2A  
 STA. 3348+00 TO STA. 3368+00

**M.O.T. LEGEND:**

- ① EXISTING PAVEMENT
- ② TEMPORARY PAVEMENT
- ③ TEMPORARY PAVEMENT MARKING
- ④ PROPOSED PAVEMENT
- ⑤ TEMPORARY BARRIER WALL
- ⑥ PROPOSED MSE WALL
- ⑦ TEMPORARY MSE WALL

REVISIONS	
NAME	DATE

ILLINOIS DEPARTMENT OF TRANSPORTATION  
 F.A.P. ROUTE 307 (ILLINOIS ROUTE 64)  
**SUGGESTED STAGES OF CONSTRUCTION AND TRAFFIC CONTROL**  
 TYPICAL SECTIONS - STAGE 2 & 2A  
 SCALE: VERT: NONE  
 HORIZ: NONE  
 DATE: MAY 13, 2011  
 DRAWN BY: KK - JWM  
 CHECKED BY: MD

