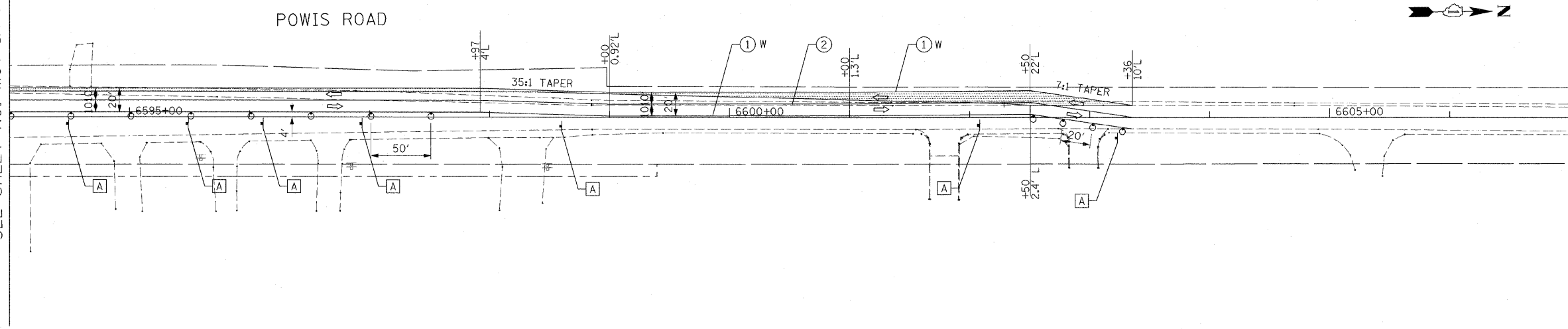


F.A.P. RTE.	SECTION	COUNTY	TOTAL SHEETS	SHEET NO.
307	130 R-2	DUPAGE, KANE	647	125
STA.		TO STA.		
FED. ROAD DIST. NO.		ILLINOIS FED. AID PROJECT		

62410

MATCH LINE STA 6594+00
SEE SHEET NO. MOT-1A-04



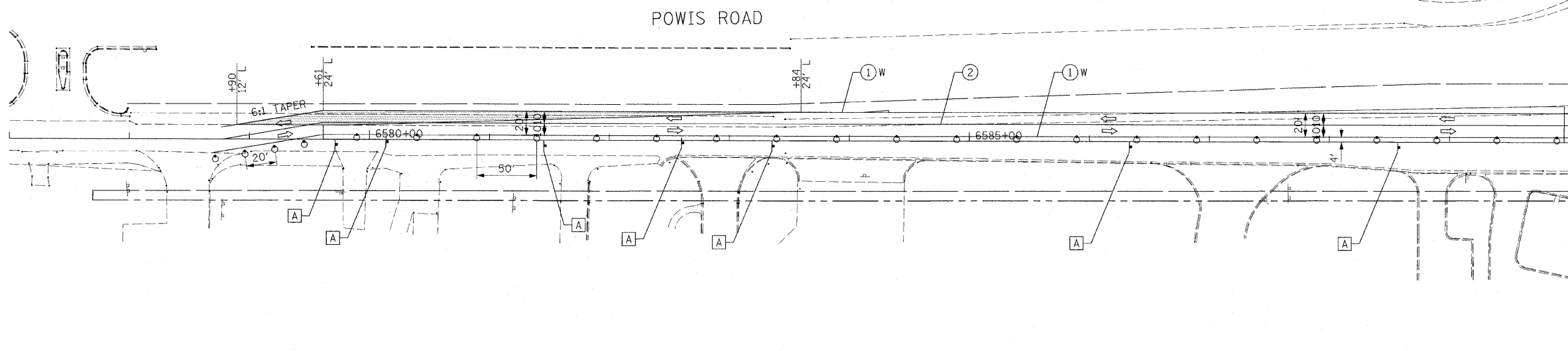
- LEGEND:**
- TEMPORARY HMA PAVEMENT
 - DIRECTION OF TRAFFIC
 - TYPE I OR II BARRICADES
 - TEMPORARY CONCRETE BARRIER
 - IMPACT ATTENUATOR
 - TYPE III BARRICADES
 - 4" EDGE LINE
 - 4" DOUBLE CENTER LINE - YELLOW
 - 4" SKIP DASH LINE (30' SKIP/10' DASH) - WHITE
 - 4" SKIP DASH LINE (6' SKIP/2' DASH) - WHITE
 - 6" LANE LINE - WHITE
 - 24" STOP BAR - WHITE
 - LETTERS AND SYMBOLS

TEMPORARY INFORMATION SIGN LEGEND

- DRIVEWAY ENTRANCE - 14

NOTES:

1. ALL APPLICABLE STATE STANDARDS SHALL BE APPLIED AT ALL CROSS STREETS AND AT THE PROJECT LIMITS.



MATCH LINE STA 6590+00
SEE SHEET NO. MOT-1A-04

MOT-1A-09



12/2



REVISIONS	
NAME	DATE

ILLINOIS DEPARTMENT OF TRANSPORTATION
 F.A.P. ROUTE 307 (ILLINOIS ROUTE 64)

SUGGESTED STAGES OF CONSTRUCTION AND TRAFFIC CONTROL STAGE 1A

SCALE: VERT: NONE
 HORIZ: 1"=50'
 DATE: DECEMBER 2, 2011

DRAWN BY: AFC
 CHECKED BY: NJH