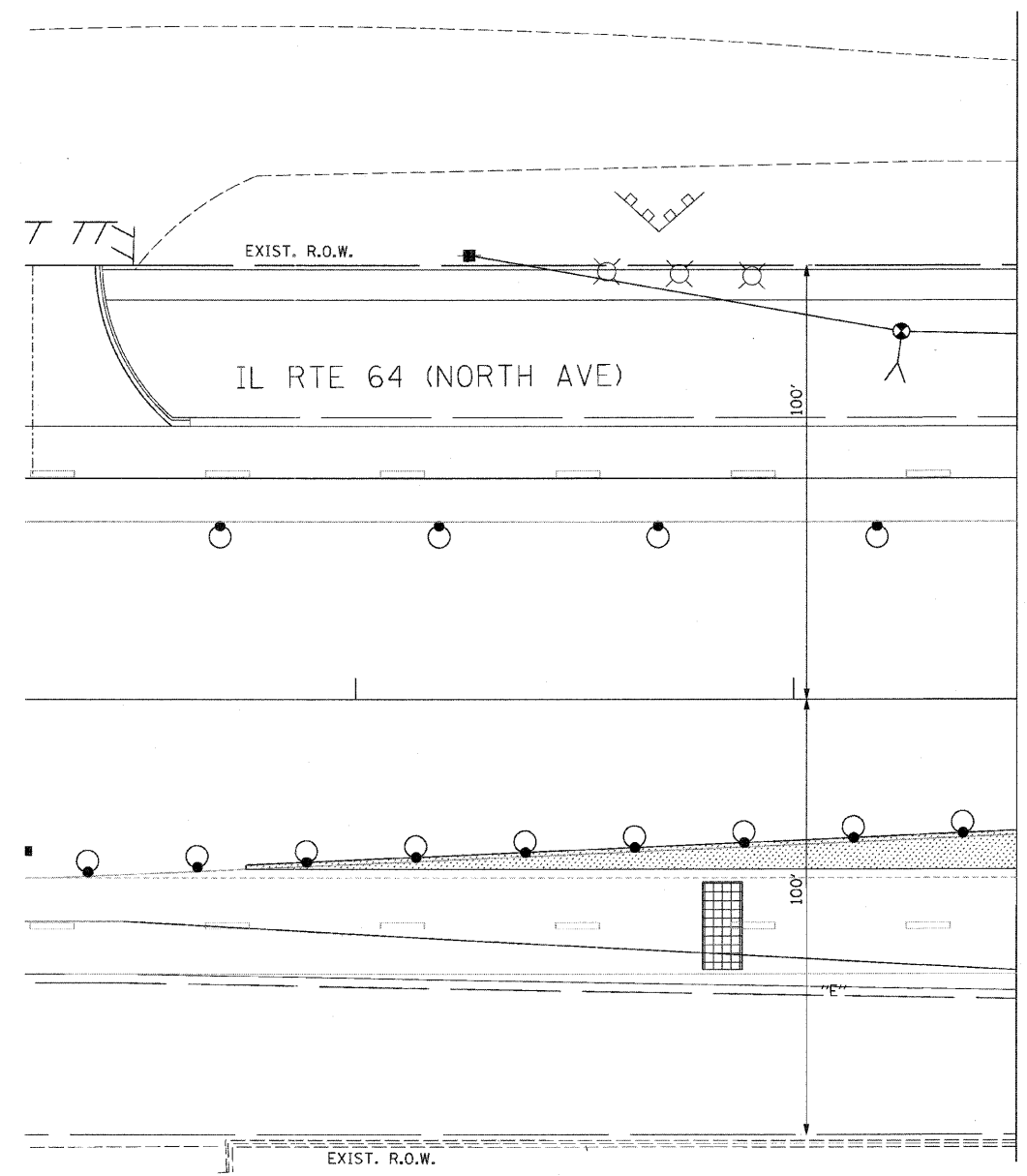
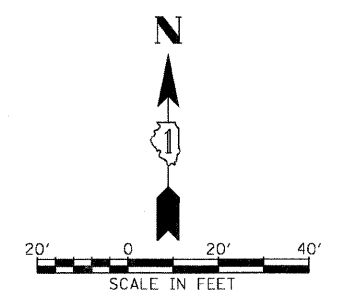


F.A.P. RTE.	SECTION	COUNTY	TOTAL SHEETS	SHEET NO.
307	130 R-2	DUPAGE, KANE	647	354
STA.		TO STA.		
FED. ROAD DIST. NO.		ILLINOIS FED. AID PROJECT		

62410



SHEET 6 OF 10

REVISIONS		ILLINOIS DEPARTMENT OF TRANSPORTATION F.A.P. ROUTE 307 (ILLINOIS ROUTE 64)
NAME	DATE	
		TEMPORARY TRAFFIC SIGNAL INSTALLATION AND REMOVAL PLAN IL ROUTE 64 AND PHEASANT RUN RD STAGE 2

SCALE: 1"=20'  
 DATE: NOVEMBER 1, 2011  
 DRAWN BY: JS  
 CHECKED BY: WP