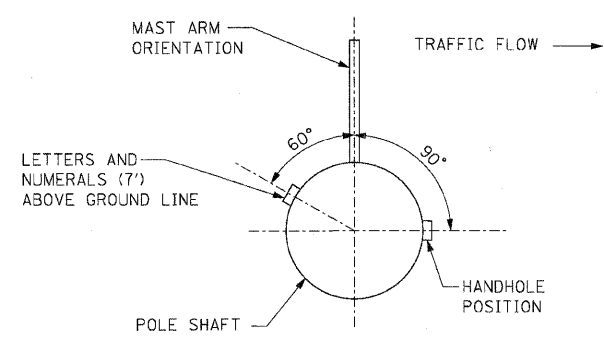
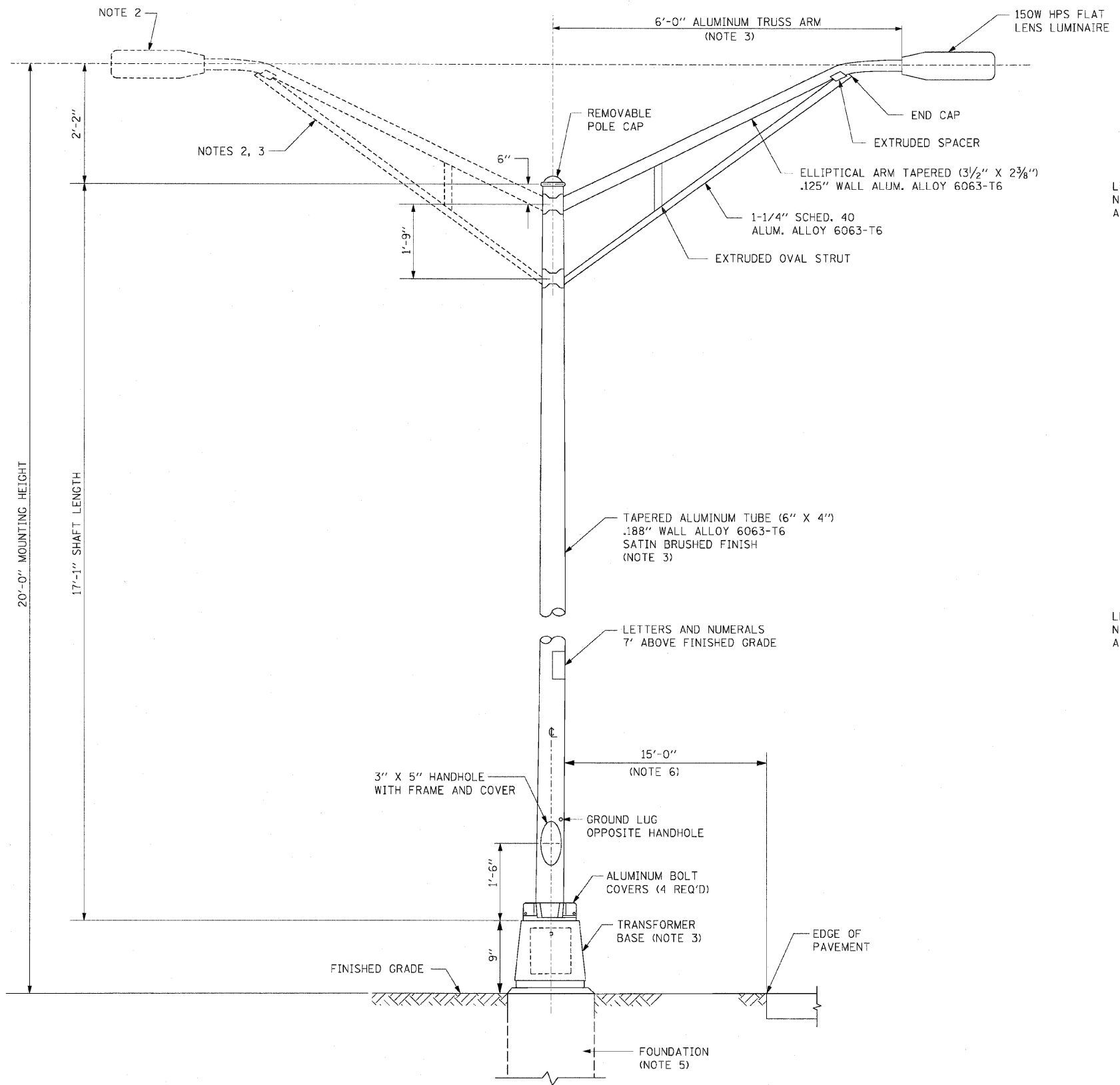


|                     |         |                           |              |           |
|---------------------|---------|---------------------------|--------------|-----------|
| F.A.P. RTE.         | SECTION | COUNTY                    | TOTAL SHEETS | SHEET NO. |
| 307                 | 130 R-2 | DUPAGE, KANE              | 647          | 424       |
| STA.                |         | TO STA.                   |              |           |
| FED. ROAD DIST. NO. |         | ILLINOIS FED. AID PROJECT |              |           |

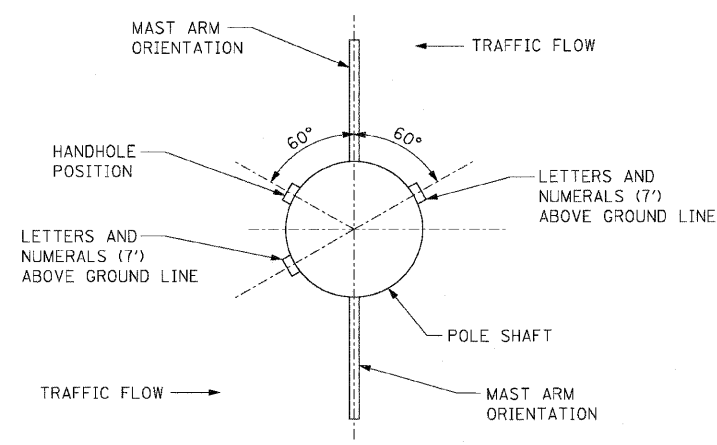
62410

**NOTES:**

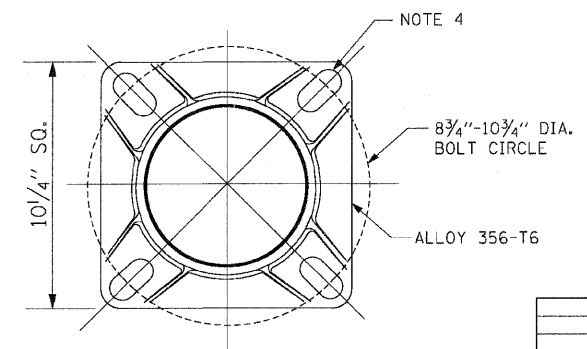
- SEE SHEET E-01 FOR ELECTRICAL SYMBOLS, CALL-OUT SAMPLES, ABBREVIATIONS AND GENERAL NOTES.
- FURNISH AND INSTALL SECOND LUMINAIRE AND MAST ARM WHERE SHOWN ON ROADWAY LIGHTING PLANS.
- THE LIGHT POLE, MAST ARM, AND TRANSFORMER BASE SHALL BE FURNISHED BY A SINGLE MANUFACTURER.
- PROVIDE 3/4" ANCHOR BOLTS. VERIFY BOLT CIRCLE AND ANCHOR BOLT SIZE PRIOR TO INSTALLATION OF LIGHT POLE FOUNDATIONS.
- SEE SHEET BE-301 FOR IDOT STANDARD LIGHT POLE FOUNDATION DETAILS.
- FOR LIGHT POLE LOCATED IN THE MEDIAN AREA, CENTER LIGHT POLE BETWEEN MEDIAN OR ADJUST LIGHT POLE TO MEET MINIMUM 2 FEET CLEARANCE FROM THE BACK OF CURB TO THE FACE OF LIGHT POLE.



2 POSITION OF HANDHOLE AND POLE NUMBER FOR SINGLE MAST ARM POLES  
 NOT TO SCALE



3 POSITION OF HANDHOLE AND POLE NUMBER FOR TWIN MAST ARM POLES  
 NOT TO SCALE



4 LIGHT POLE BASE PLATE DETAIL  
 NOT TO SCALE

1 SINGLE/TWIN ARM LIGHT POLE FOR 20' M.H.  
 NOT TO SCALE



| REVISIONS |      |
|-----------|------|
| NAME      | DATE |
|           |      |
|           |      |
|           |      |
|           |      |
|           |      |
|           |      |
|           |      |
|           |      |
|           |      |
|           |      |

ILLINOIS DEPARTMENT OF TRANSPORTATION  
 F.A.P. ROUTE 307 (ILLINOIS ROUTE 64)  
 SINGLE/TWIN ARM ALUMINUM LIGHT POLE AND LIGHTING DETAILS  
 SCALE: NONE  
 DATE: MAY 13, 2011  
 DRAWN BY: HR  
 CHECKED BY: JPC

E-10