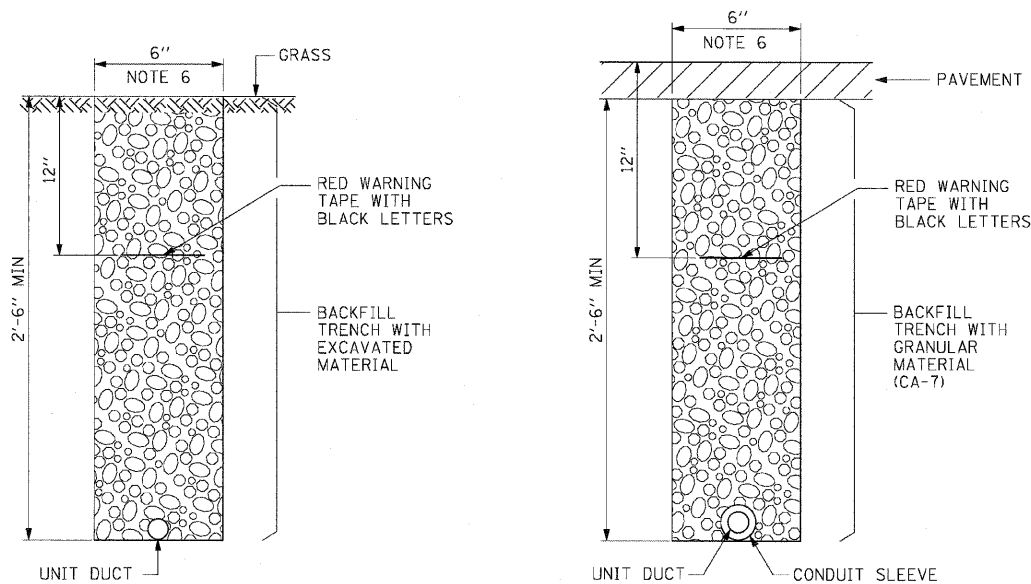
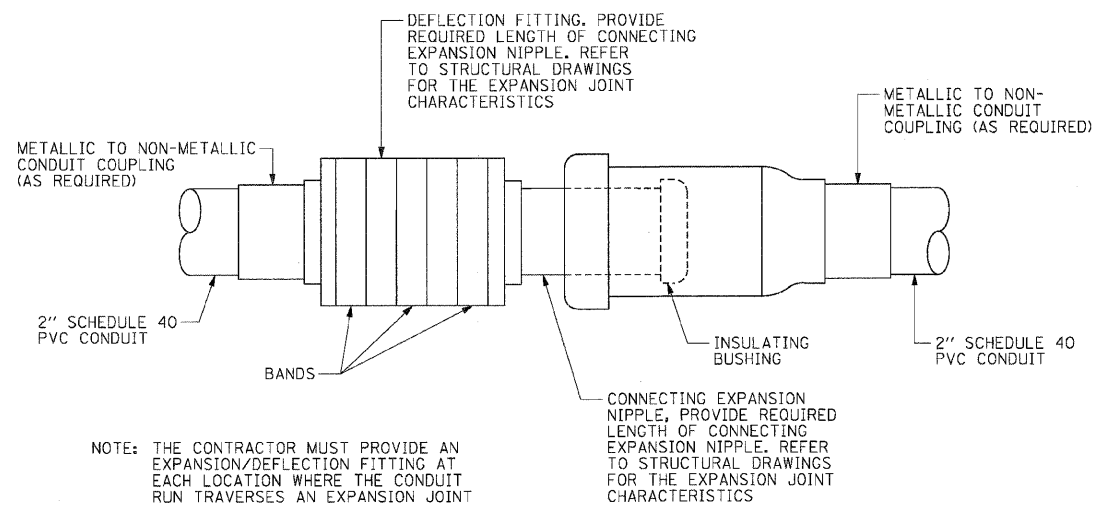


F.A.P. RTE.	SECTION	COUNTY	TOTAL SHEETS	SHEET NO.
307	130 R-2	DUPAGE, KANE	647	425
STA.	TO STA.			
FED. ROAD DIST. NO.	ILLINOIS FED. AID PROJECT		62410	



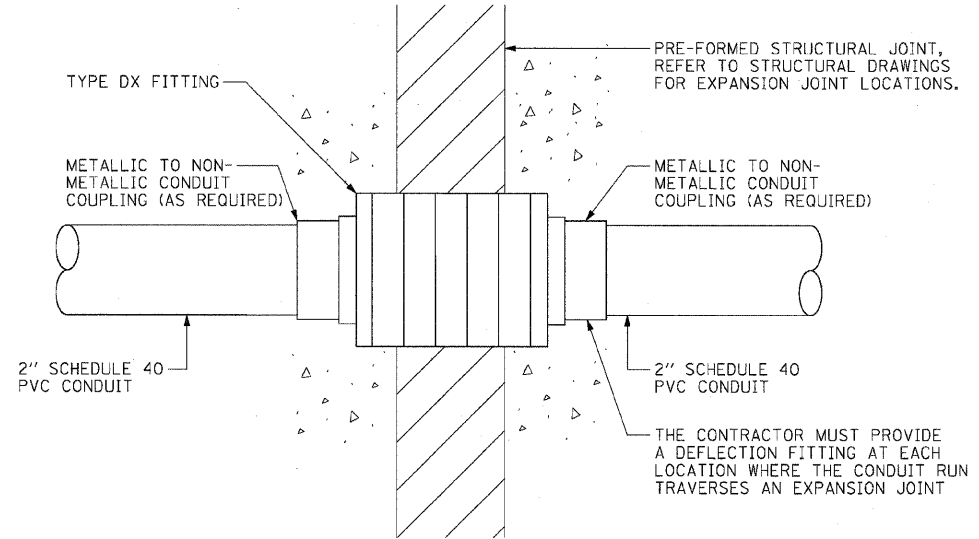
1 CONDUIT TRENCH IN GRASS AREA
 E-11 NOT TO SCALE - NOTE 7

2 CONDUIT TRENCH IN PAVED AREA
 E-11 NOT TO SCALE - NOTE 7

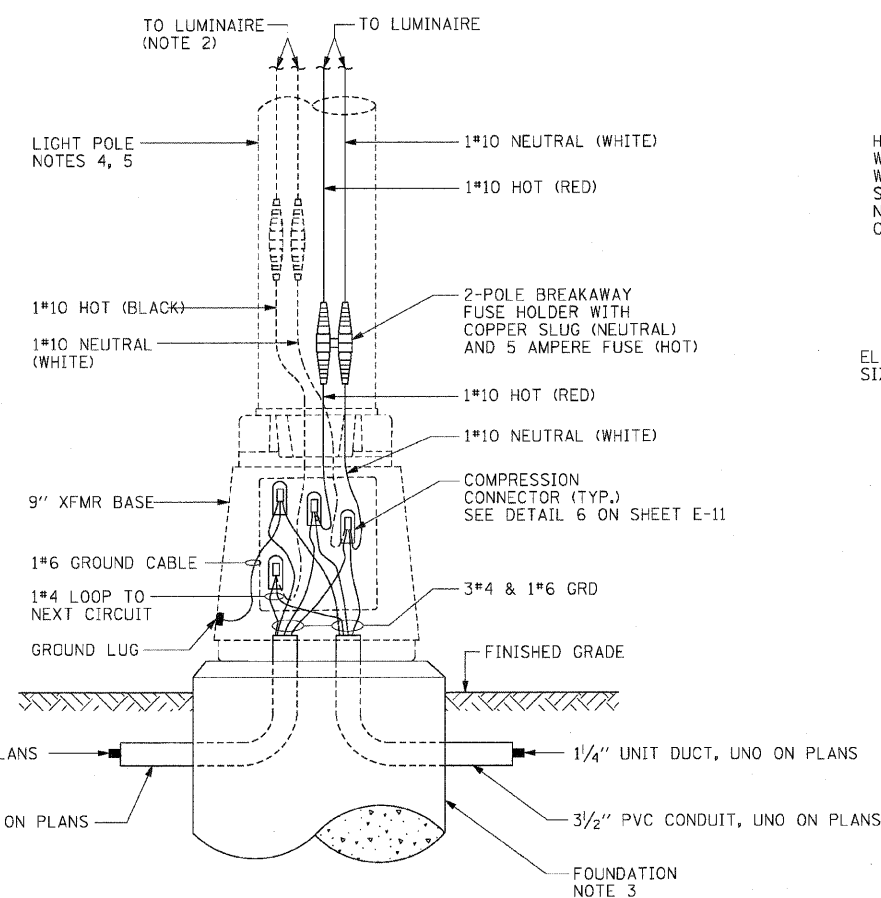


3 CONDUIT EXPANSION/DEFLECTION COUPLING DETAIL
 E-11 EXPANSION/DEFLECTION FITTING, 0-Z/GEDNEY AX/DX OR APPROVED EQUAL NOT TO SCALE

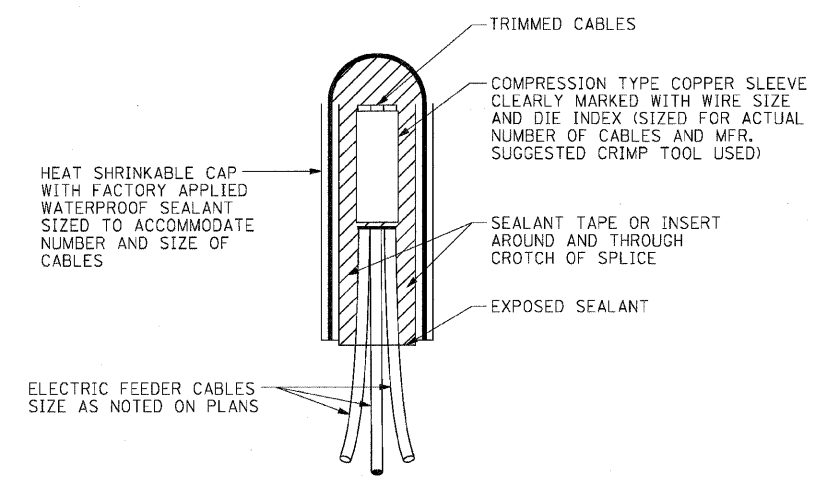
- NOTES:**
- SEE SHEET E-01 FOR ELECTRICAL SYMBOLS, CALL-OUT SAMPLES, ABBREVIATIONS AND GENERAL NOTES.
 - FURNISH AND INSTALL SECOND LUMINAIRE AND WIRING WHERE SHOWN ON ROADWAY LIGHTING PLANS.
 - SEE SHEET BE-301 FOR IDOT STANDARD LIGHT POLE FOUNDATION DETAILS.
 - ALL EXPOSED SCREWS, EXCEPT FOR ANCHOR BOLTS WASHERS AND HEX NUTS, SHALL BE STAINLESS STEEL.
 - SEE SHEET BE-400 FOR IDOT STANDARD 47.5' M.H. ALUMINUM LIGHT POLE DETAILS. SEE SHEET E-10 FOR 20' M.H. ALUMINUM LIGHT POLE DETAILS.
 - CONTRACTOR SHALL REPLACE AND MATCH EXISTING.
 - CONDUIT TRENCH DETAILS ARE PROVIDED FOR INFORMATION. TRENCH AND BACKFILL WILL NOT BE PAID FOR. AT THE CONTRACTOR'S OPTION, UNDERGROUND RACEWAYS SHALL BE INSTALLED BY TRENCHING, PLOWING OR BORING AND PULLING IN ACCORDANCE WITH SECTIONS 810 AND 816 OF THE STANDARD SPECIFICATIONS.



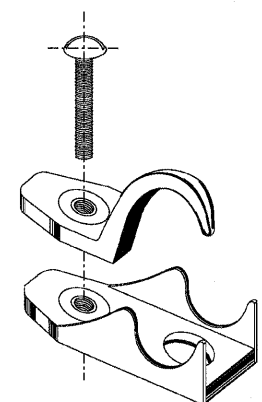
4 CONDUIT DEFLECTION FITTING DETAIL
 E-11 DEFLECTION FITTING, 0-Z/GEDNEY DX200 OR APPROVED EQUAL NOT TO SCALE



5 POLE BASE WIRING DETAIL FOR SINGLE/DOUBLE MAST ARM
 E-11 NOT TO SCALE



6 SPLICING ELECTRIC CABLES BASIC MATERIALS AND METHODS DETAIL
 E-11 NOT TO SCALE



7 GALVANIZED CONDUIT CLAMP
 E-11 NOT TO SCALE



REVISIONS	
NAME	DATE

ILLINOIS DEPARTMENT OF TRANSPORTATION
 F.A.P. ROUTE 307 (ILLINOIS ROUTE 64)

MISCELLANEOUS ELECTRICAL
 DETAILS

SCALE: NONE
 DATE: NOVEMBER 1, 2011

DRAWN BY: HR
 CHECKED BY: JPC