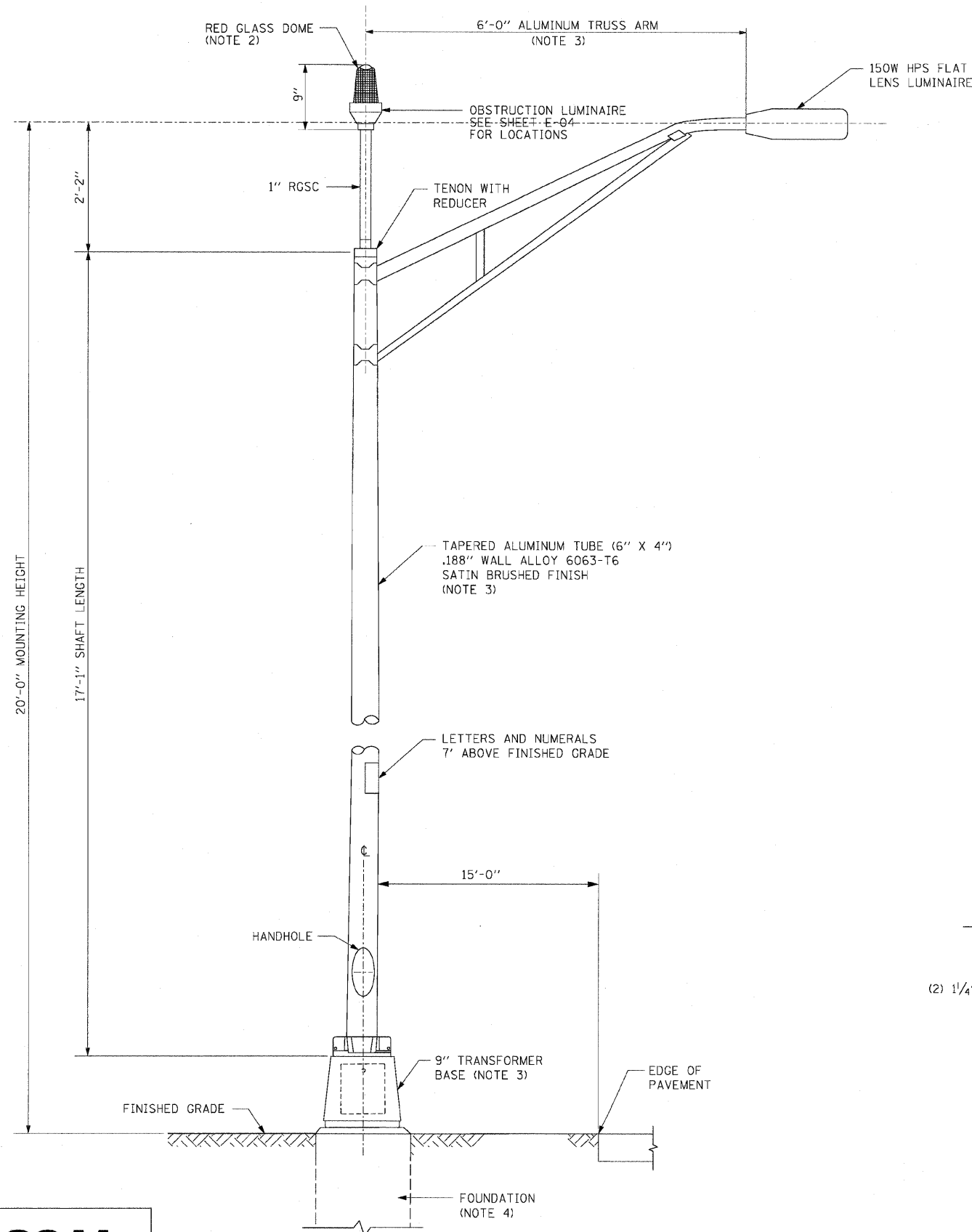


F.A.P. RTE.	SECTION	COUNTY	TOTAL SHEET NO.
307	130 R-2	DUPAGE, KANE	647 426
STA.		TO STA.	
FED. ROAD DIST. NO.		ILLINOIS FED. AID PROJECT	

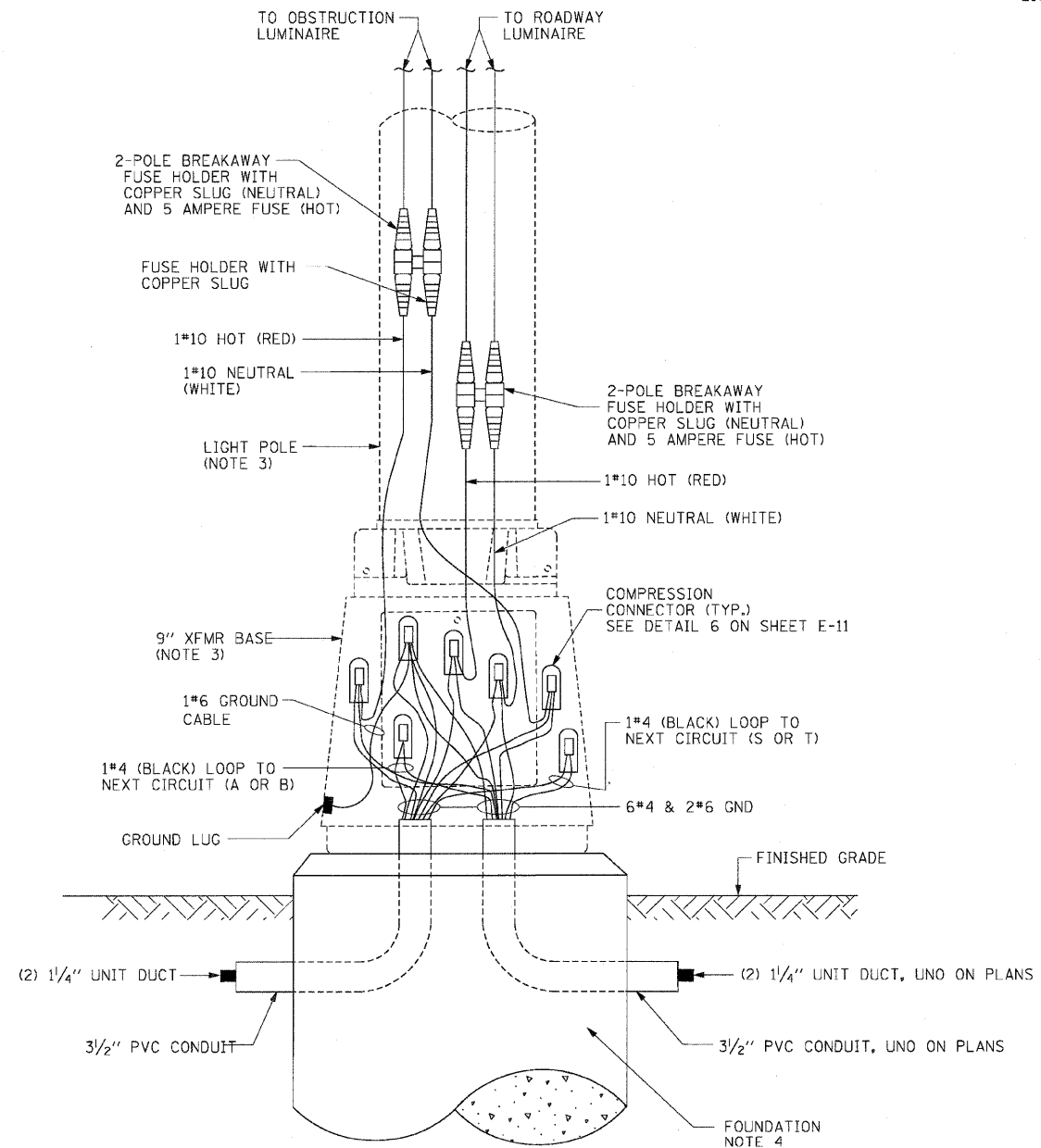
NOTES:

62410

1. SEE SHEET E-01 FOR ELECTRICAL SYMBOLS, CALL-OUT SAMPLES, ABBREVIATIONS AND GENERAL NOTES.
2. CONTRACTOR SHALL FURNISH AND INSTALL AVIATION OBSTRUCTION WARNING LED LUMINAIRE, FAA TYPE L-810 AS MANUFACTURED BY FLIGHT LIGHT OR APPROVED EQUAL. THE OBSTRUCTION LUMINAIRE SHALL BE OPERATED AT 240 VOLT.
3. SEE DETAIL 1 ON SHEET E-10 FOR LIGHT POLE REQUIREMENTS.
4. SEE SHEET BE-301 FOR IDOT STANDARD LIGHT POLE FOUNDATION DETAILS.



1 AVIATION OBSTRUCTION WARNING LUMINAIRE MOUNTING DETAIL
 E-13 NOT TO SCALE



2 POLE BASE WIRING DETAIL FOR ROADWAY/WARNING LUMINAIRE
 E-13 NOT TO SCALE

E-12

REVISIONS	
NAME	DATE

ILLINOIS DEPARTMENT OF TRANSPORTATION
 F.A.P. ROUTE 307 (ILLINOIS ROUTE 64)
OBSTRUCTION/ROADWAY LUMINAIRE WIRING AND MOUNTING DETAILS

SCALE: NONE
 DATE: MAY 13, 2011
 DRAWN BY: HR
 CHECKED BY: JPC

