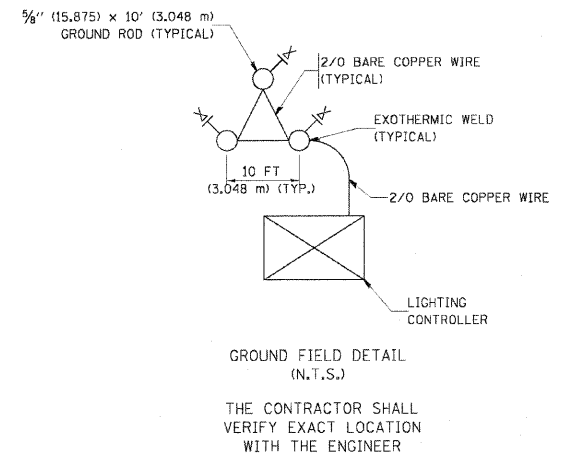
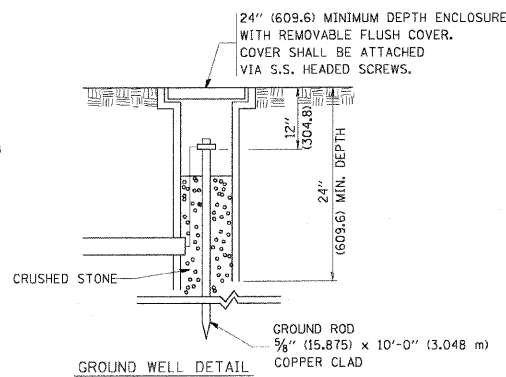
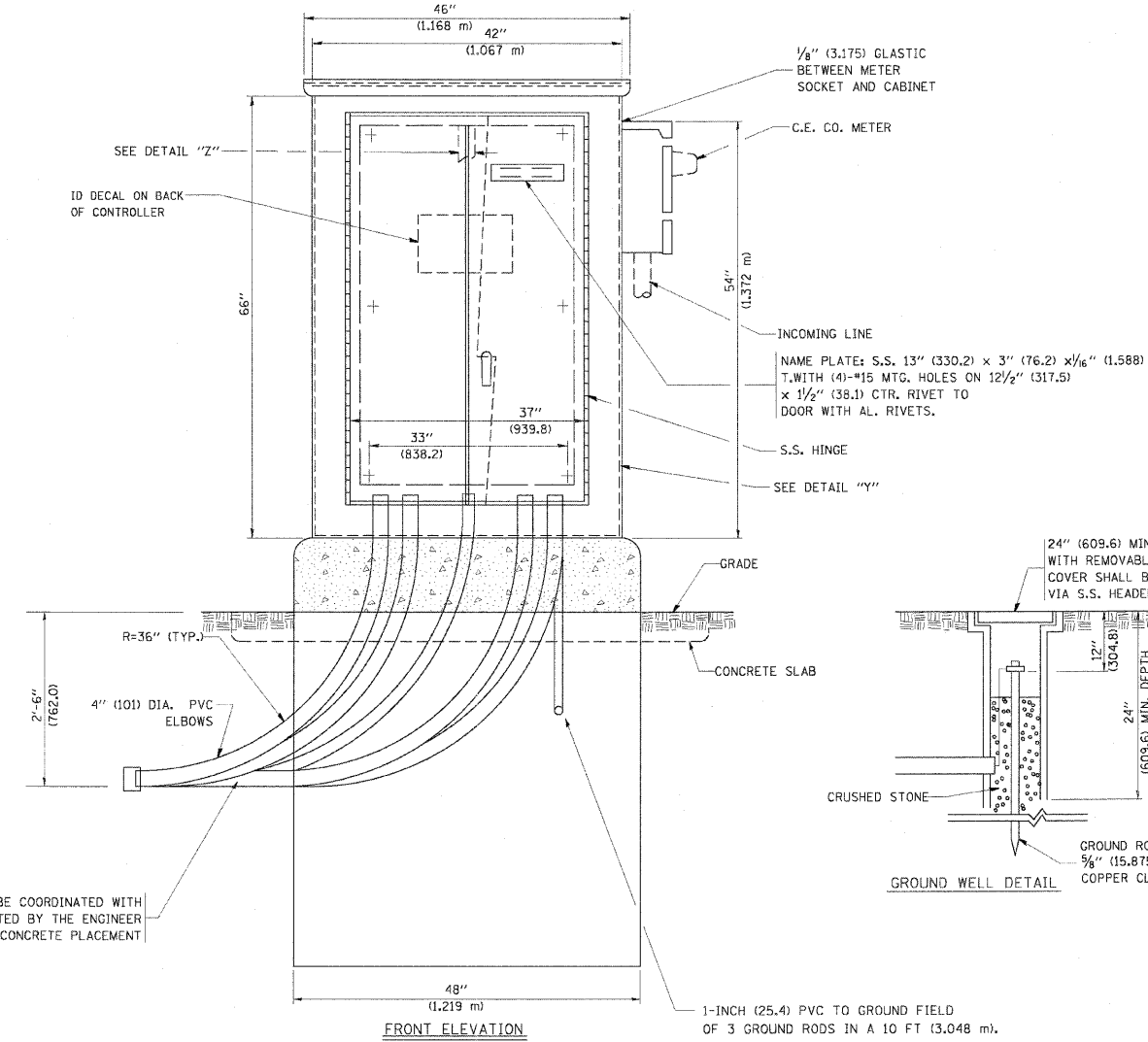
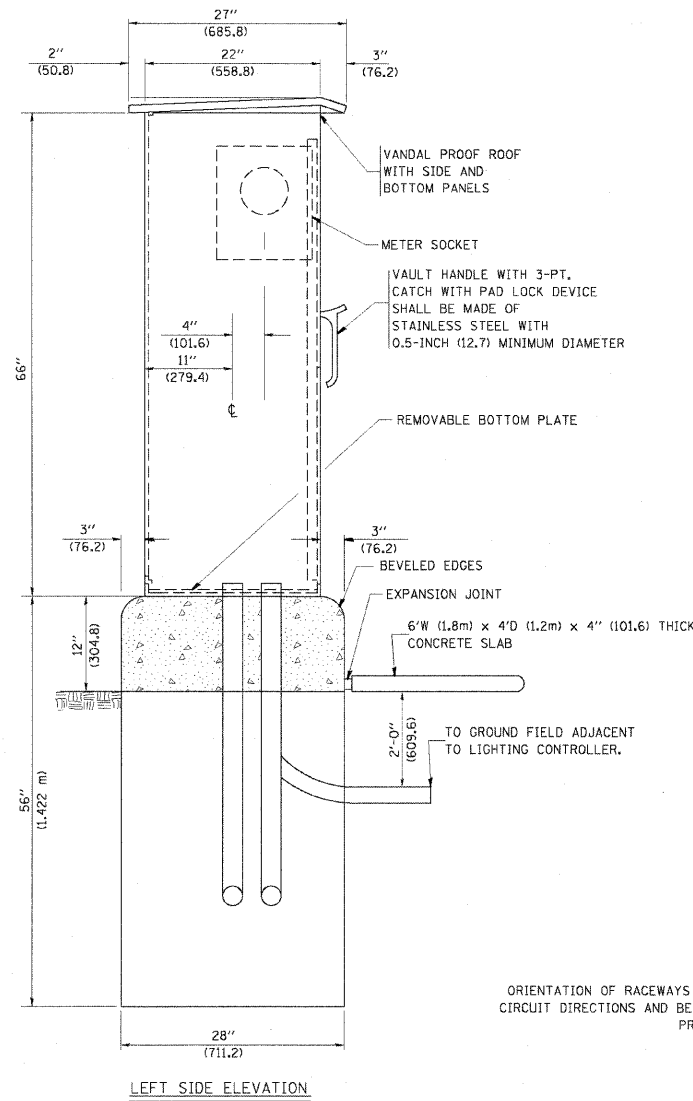
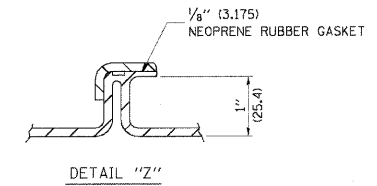
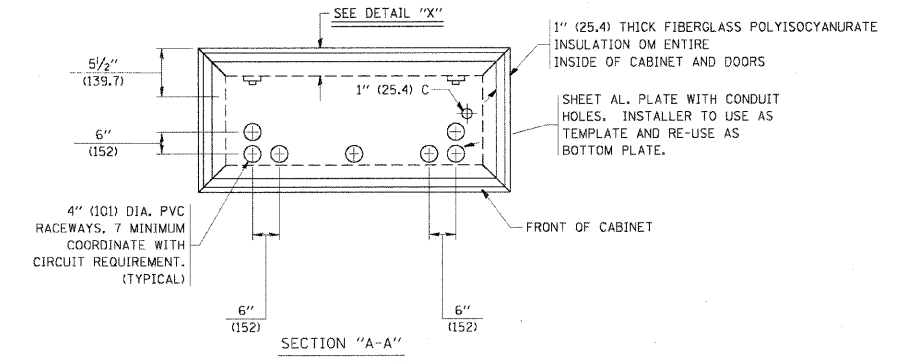
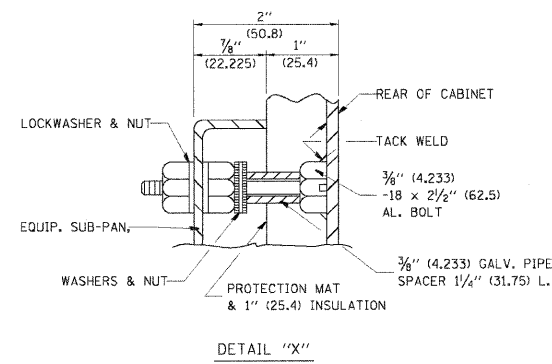
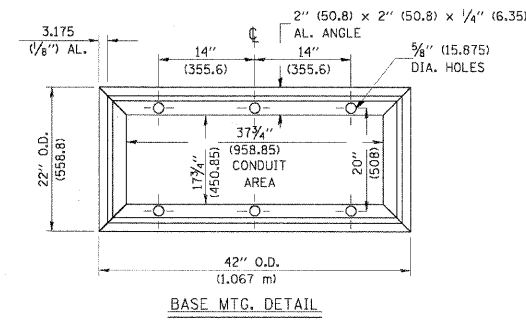
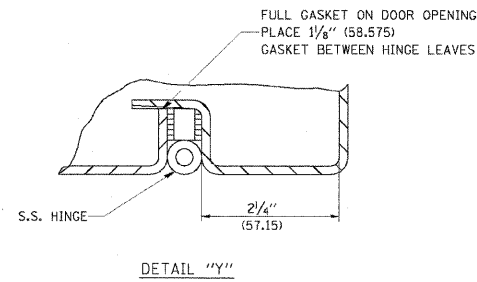


F.A.P. RTE.	SECTION	COUNTY	TOTAL SHEETS	SHEET NO.
307	130 R-2	DUPAGE, KANE	647	437
STA.		TO STA.		
FED. ROAD DIST. NO.		ILLINOIS FED. AID PROJECT		



ORIENTATION OF RACEWAYS SHALL BE COORDINATED WITH CIRCUIT DIRECTIONS AND BE INSPECTED BY THE ENGINEER PRIOR TO CONCRETE PLACEMENT

1-INCH (25.4) PVC TO GROUND FIELD OF 3 GROUND RODS IN A 10 FT (3.048 m). TRIANGLE CONNECTED VIA BARE COPPER WIRE. VERIFY EXACT LOCATION OF GROUND FIELD WITH THE ENGINEER. NO GROUND WELL SHALL BE PLACED IN CONCRETE PAD IN FRONT OF CONTROLLER.

REVISIONS		
NAME	DATE	
R. TOMSONS	08/19/04	
R. TOMSONS	5/11/09	
R. TOMSONS	3/03/10	

ILLINOIS DEPARTMENT OF TRANSPORTATION
LIGHTING CONTROLLER, RADIO CONTROL
DUPLIX TYPE WITH SCADA
BE-205 SHT 3 OF 4

SCALE: NONE
DRAWN BY CADD
CHECKED BY

PLOT DATE = 3/29/2010
 PLOT SCALE = 1/8" = 1'-0"
 USER NAME = legoo