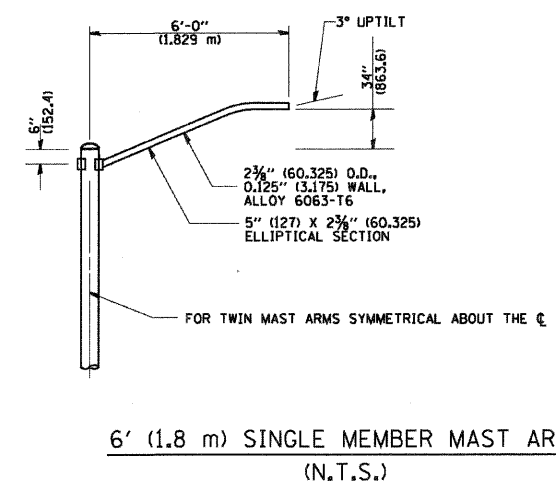
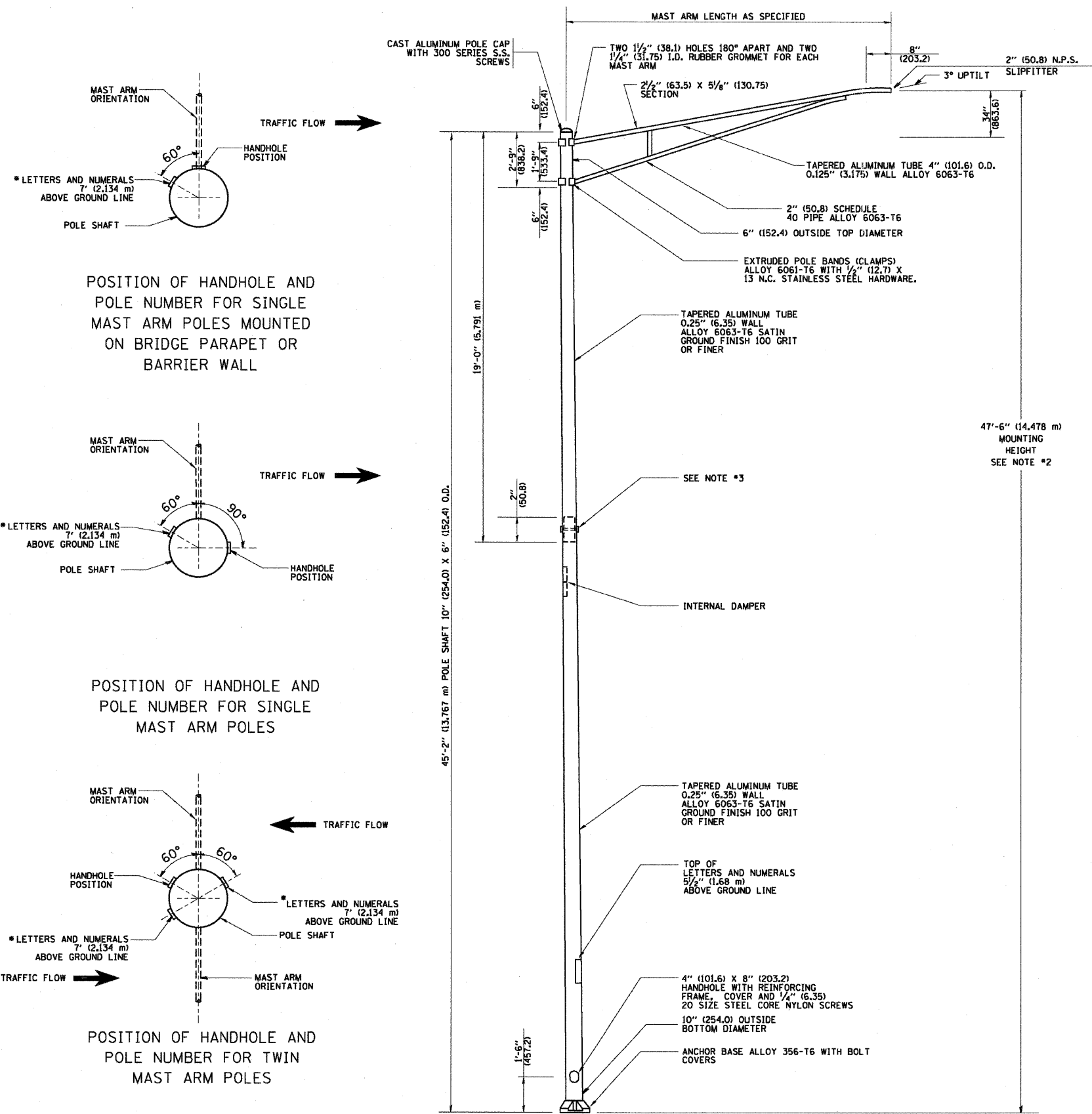
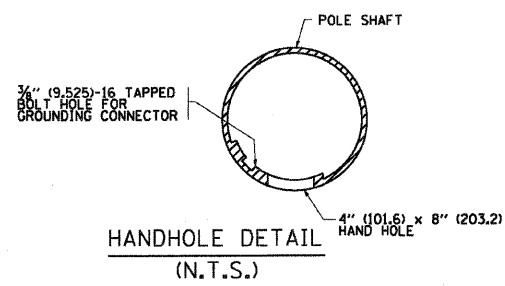
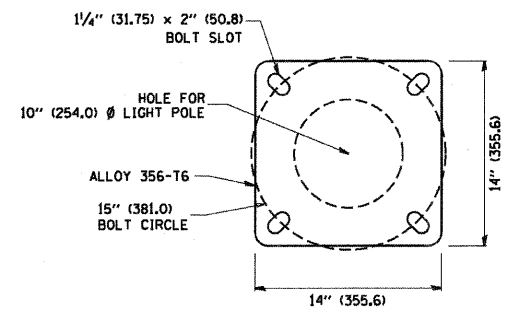
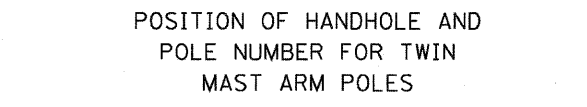
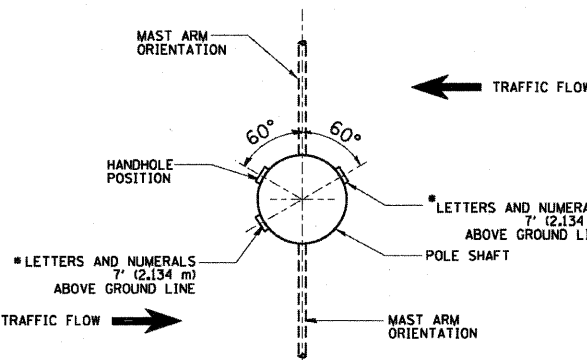
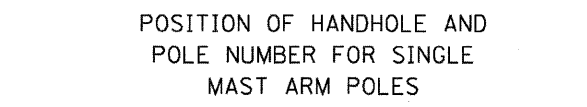
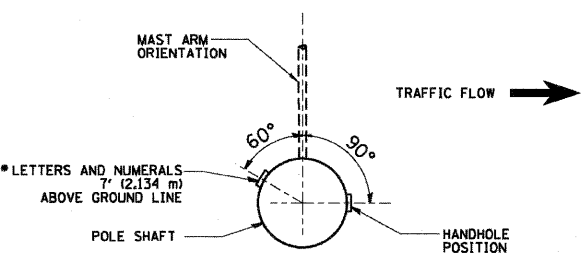
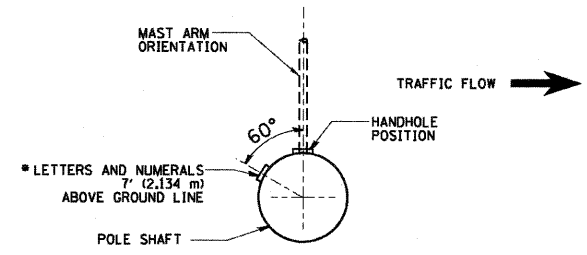


| F.A. RTE.           | SECTION  | COUNTY           | TOTAL SHEETS | SHEET NO. |
|---------------------|----------|------------------|--------------|-----------|
| 307                 | 130 R-2  | DUPAGE, KANE     | 647          | 442       |
| STA.                |          | TO STA.          |              |           |
| FED. ROAD DIST. NO. | ILLINOIS | FED. AID PROJECT |              |           |



- NOTES:
1. ALL DIMENSIONS ARE IN INCHES (MILLIMETERS) UNLESS OTHERWISE SHOWN.
  2. MOUNTING HEIGHT IS DEFINED AS THE DISTANCE FROM THE CENTERLINE OF THE TENON TO THE BOTTOM OF THE ANCHOR BASE.
  3. TWO PIECE SHAFT WILL BE MATCHED MARKED AND INTERCHANGEABLE BETWEEN DIFFERENT UNITS. FIELD DRILLING OF THE HOLES WILL NOT BE ALLOWED.
  4. THE LIGHT POLE WILL MEET AASHTO DESIGN CRITERIA AS SPECIFIED.
  5. THE INSTALLING CONTRACTOR WILL PROVIDE A UL LISTED GROUNDING CONNECTOR, BURNDY K2C23, T&B SP4DL OR APPROVED EQUAL.
  6. LIGHT POLES WILL NOT BE INSTALLED WITHOUT MAST ARMS AND LUMINAIRES.
  7. LIGHT POLES WILL BE SET PLUMB ON THE FOUNDATION WITHOUT THE USE OF LEVELING NUTS, WASHERS OR SHIMS.
  8. LIGHTING UNIT IDENTIFICATION NUMBERS SHALL BE INSTALLED BEFORE THE LIGHTING UNIT IS ENERGIZED.



| REVISIONS  |         |
|------------|---------|
| NAME       | DATE    |
| R. TOMSONS | 9-6-00  |
| R. TOMSONS | 8-12-03 |
|            |         |
|            |         |
|            |         |
|            |         |
|            |         |
|            |         |

ILLINOIS DEPARTMENT OF TRANSPORTATION  
**ALUMINUM LIGHT POLE**  
 47'-6" (14.478 m)  
 MOUNTING HEIGHT  
 SCALE: NONE  
 DRAWN BY  
 CHECKED BY  
 BE-400

PLOT DATE = 3/16/2007  
 FILE NAME = K:\advised\be400.dgn  
 PLOT SCALE = 80.0000 / IN.  
 USER NAME = bboard