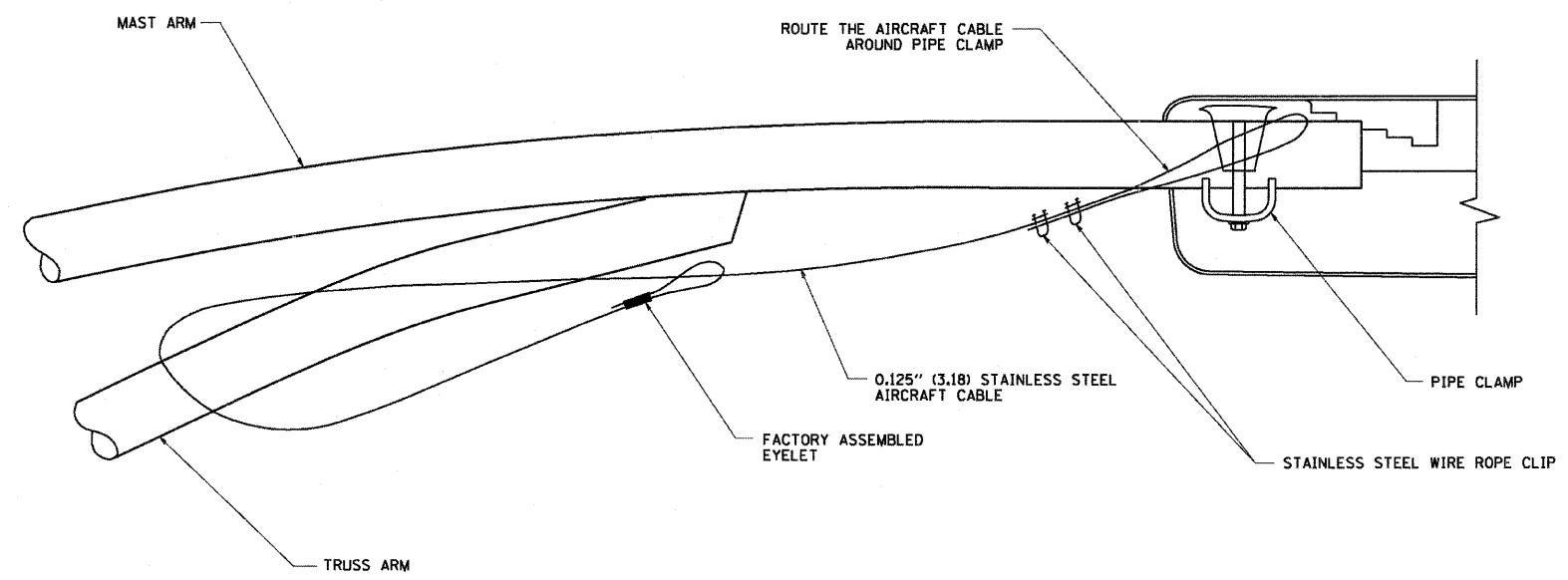
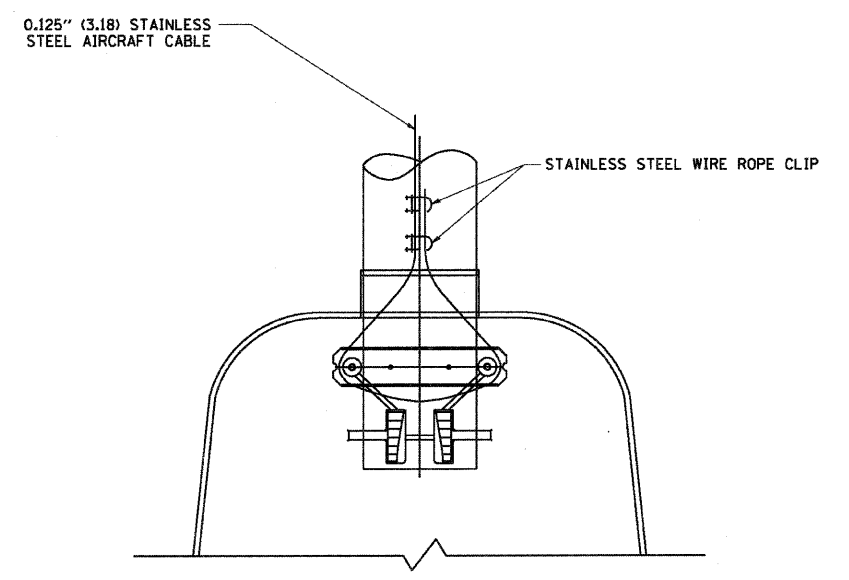


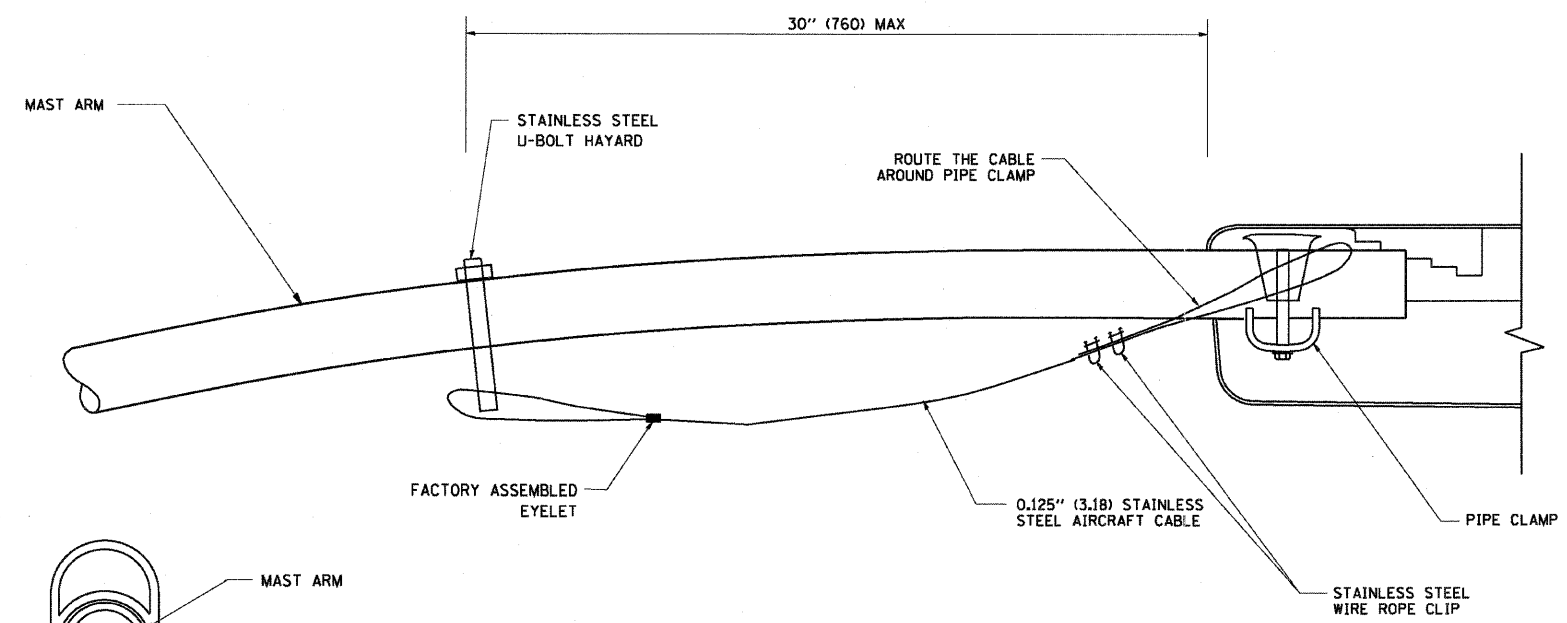
CONTRACT NO.				
F.A. RTE.	SECTION	COUNTY	TOTAL SHEETS	SHEET NO.
307	130 R-2	DUPAGE, KANE	647	443
STA.		TO STA.		
FED. ROAD DIST. NO.		ILLINOIS FED. AID PROJECT		



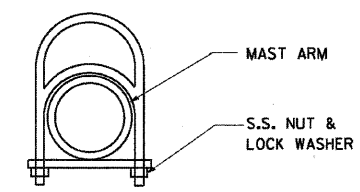
**SIDE VIEW (TRUSS ARM)**  
N.T.S.



**BOTTOM VIEW**  
N.T.S.



**SIDE VIEW (SINGLE MEMBER OR DAVIT ARM)**  
N.T.S.



STAINLESS STEEL U-BOLT HAYARD

**NOTES:**

1. ALL DIMENSIONS ARE IN MILLIMETERS (INCHES) UNLESS OTHERWISE SHOWN.
2. CONTRACTOR SHALL ADJUST THE WIRE CLIP TO ELIMINATE ANY SLACK FROM THE WIRE ROPE.
3. THE 0.125" (3.18) STAINLESS STEEL AIRCRAFT CABLE SHALL REMAIN VISIBLE FROM THE GROUND LEVEL.
4. THE BREAKING STRENGTH OF THE CABLE SHALL BE 1700 LBS. MIN.

REVISIONS	
NAME	DATE
	08/08/03

ILLINOIS DEPARTMENT OF TRANSPORTATION

**LUMINAIRE SAFETY CABLE ASSEMBLY**

SCALE: VERT. NONE  
HORIZ.

DRAWN BY  
CHECKED BY  
BE-701

PLOT DATE = 4/18/2007  
FILE NAME = K:\data\be701.dgn  
PLOT SCALE = 80.000" / IN.  
USER NAME = bboard