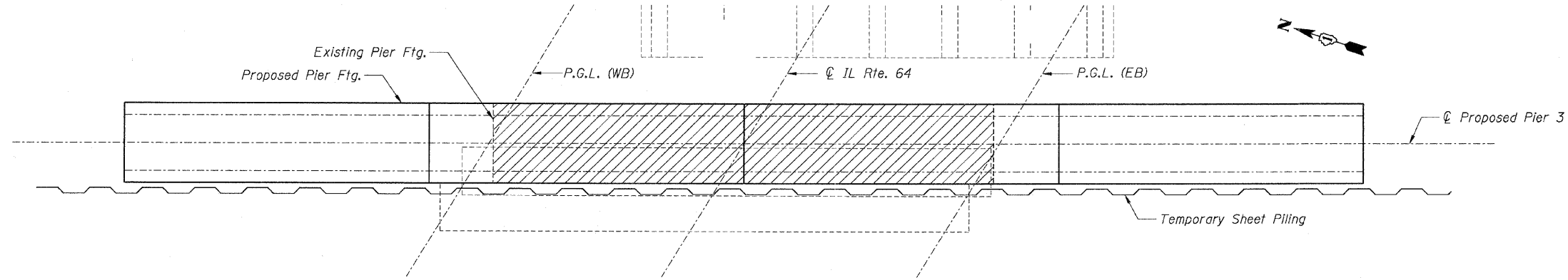


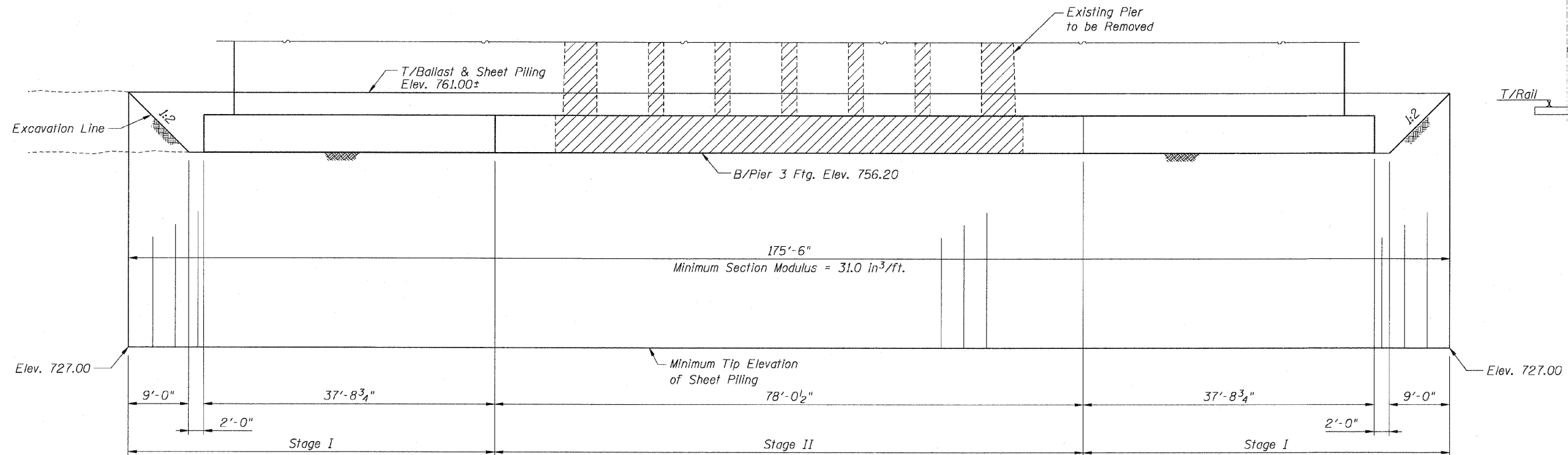
STATE OF ILLINOIS  
 DEPARTMENT OF TRANSPORTATION

F.A.P. RTE.	SECTION	COUNTY	TOTAL SHEETS	SHEET NO.
307	130 R-2	DUPAGE, KANE	647	450
STA. 3356+37.74		TO STA. 3359+24.72		
FED. ROAD DIST. NO.		ILLINOIS FED. AID PROJECT		

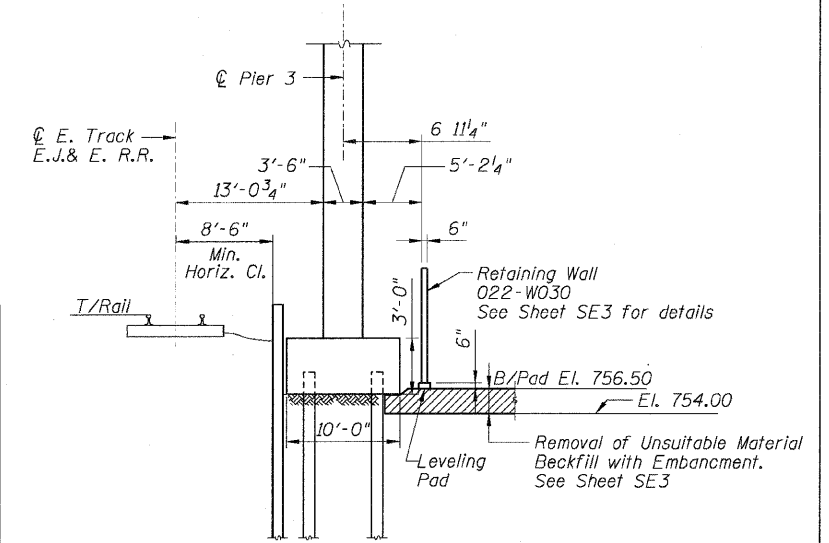
62410



PLAN



ELEVATION



TYPICAL SECTION AT PIER 3

BILL OF MATERIAL

Item	Unit	Total
Temporary Sheet Piling	Sq Ft	5967

NOTES:

- For General Plan and Elevation see Sheet B1.
- For location of temporary sheet piling see Sheet B6.
- If the Contractor chooses to alter the temporary cantilevered sheet piling design requirements shown on the plans, a design submittal including plan details and calculations will be required for review and acceptance by the Engineer.

Sheet B7 of 56

REVISIONS	
NAME	DATE

F.A.P. ROUTE 307 ILLINOIS ROUTE 64  
 (NORTH AVENUE)  
 OVER E.J.&E. AND U.P. R.R.  
 TEMPORARY SHEET PILING DETAILS  
 STRUCTURE NUMBER 022-0190  
 FAP 307 SECTION 130 R-2  
 DUPAGE COUNTY  
 STA. 3357+81.21

SCALE: None  
 DATE: MAY 13, 2011  
 DRAWN BY: CHD  
 CHECKED BY: RDP

