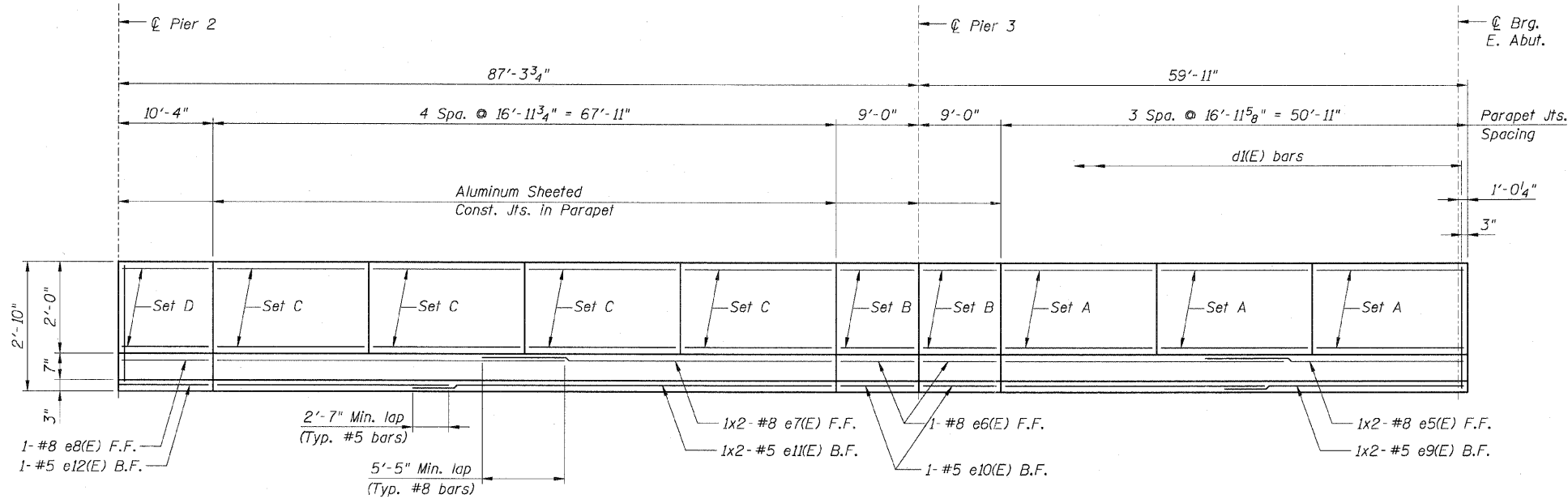


STATE OF ILLINOIS
 DEPARTMENT OF TRANSPORTATION

F.A.P. RTE.	SECTION	COUNTY	TOTAL SHEETS	SHEET NO.
307	130 R-2	DUPAGE, KANE	647	463
STA. 3356+37.74		TO STA. 3359+24.72		
FED. ROAD DIST. NO.		ILLINOIS FED. AID PROJECT		

62410



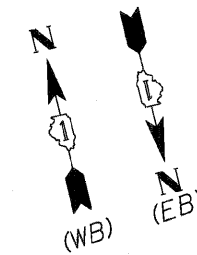
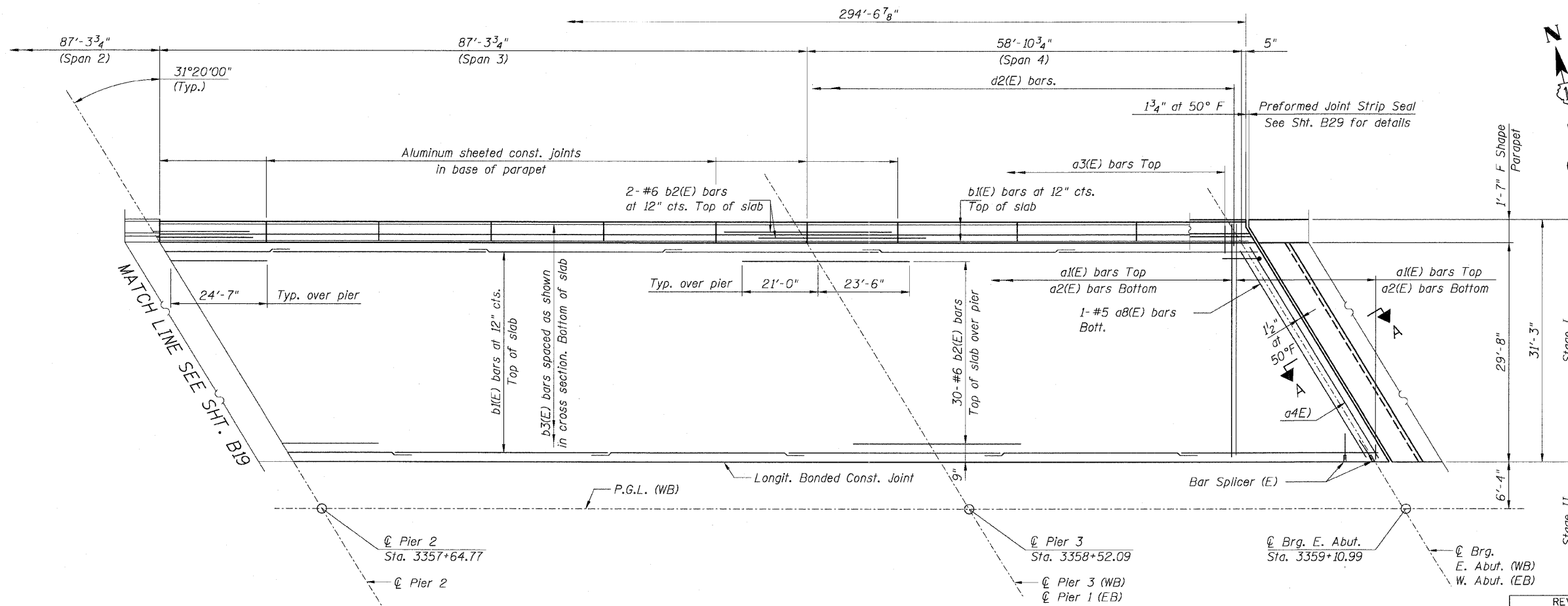
Set A (3 locations)
 7-#4 e1(E) bars around perimeter
 (See section thru parapet)

Set B (2 locations)
 7-#4 e2(E) bars around perimeter
 (See section thru parapet)

Set C (4 locations)
 7-#4 e3(E) bars around perimeter
 (See section thru parapet)

Set D (1 location)
 7-#4 e4(E) bars around perimeter
 (See section thru parapet)

F.F. = Front Face
 B.F. = Back Face



- NOTES:**
- For reinforcement in Spans 1 and 2 see Sheet B19.
 - Bars indicated thus 26x7-#5 etc. indicates 26 lines of bars with 7 lengths per line.
 - For Typical Sections, Details and Bill of Material, see Sheet B21.
 - For Section A-A see Sheet B25.
 - For Light Pole Foundation Details see Sheet B25.
 - Dimensions are based on Rolled Rail Strip Seal Joint. If the Contractor elects to use the Welded Rail Strip Seal Joint deck dimensions may require adjustment to satisfy the details on Base Sheet E-J-SSJ.
 - Provide AXDX Expansion Fittings for Conduit at bridge ends. See Sheets E-05 and E-11 for additional details.

REVISIONS	
NAME	DATE

F.A.P. ROUTE 307 ILLINOIS ROUTE 64
 (NORTH AVENUE)
 OVER E.J.&E. AND U.P. R.R.
 DECK PLAN
 SPANS 3 & 4 - STAGE I
 STRUCTURE NUMBER 022-0190
 FAP 307 SECTION 130 R-2
 DUPAGE COUNTY
 STA. 3357+81.21

SCALE: None
 DATE: MAY 13, 2011

DRAWN BY: CHD
 CHECKED BY: RDP

