

STATE OF ILLINOIS
 DEPARTMENT OF TRANSPORTATION

F.A.P. RTE.	SECTION	COUNTY	TOTAL SHEETS	SHEET NO.
307	130 R-2	DUPAGE, KANE	647	489
STA. 3356+37.74		TO STA. 3359+24.72		
FED. ROAD DIST. NO.		ILLINOIS	FED. AID PROJECT	

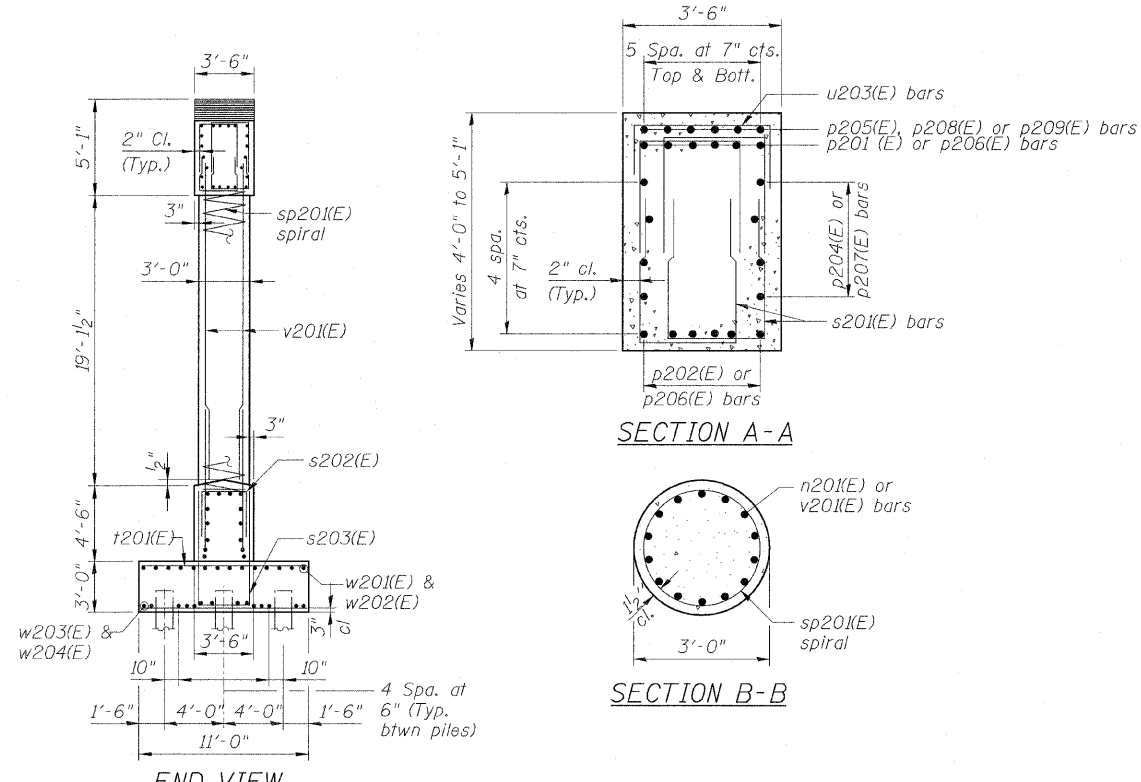
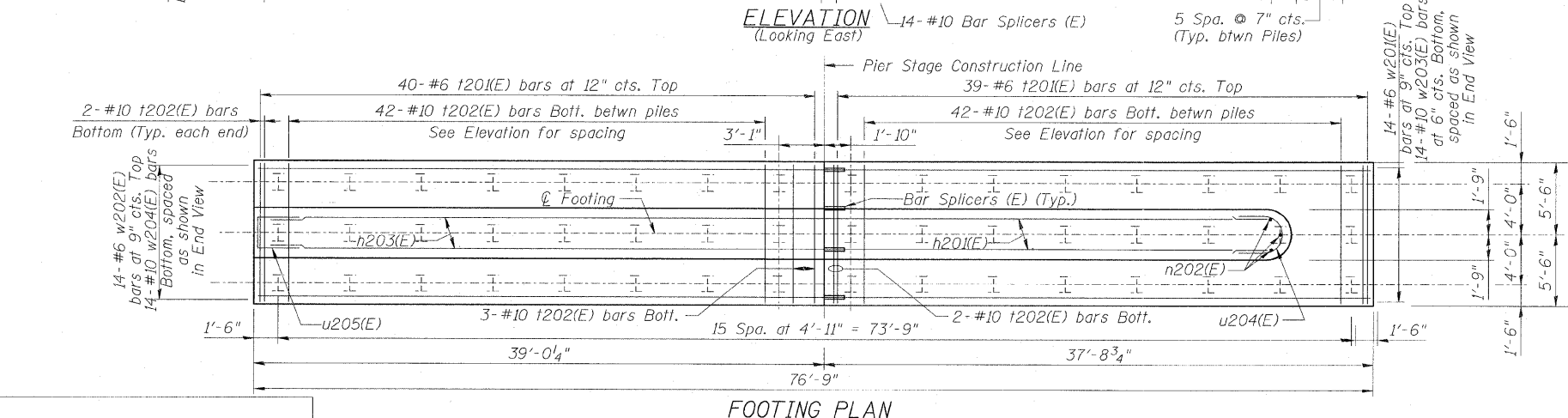
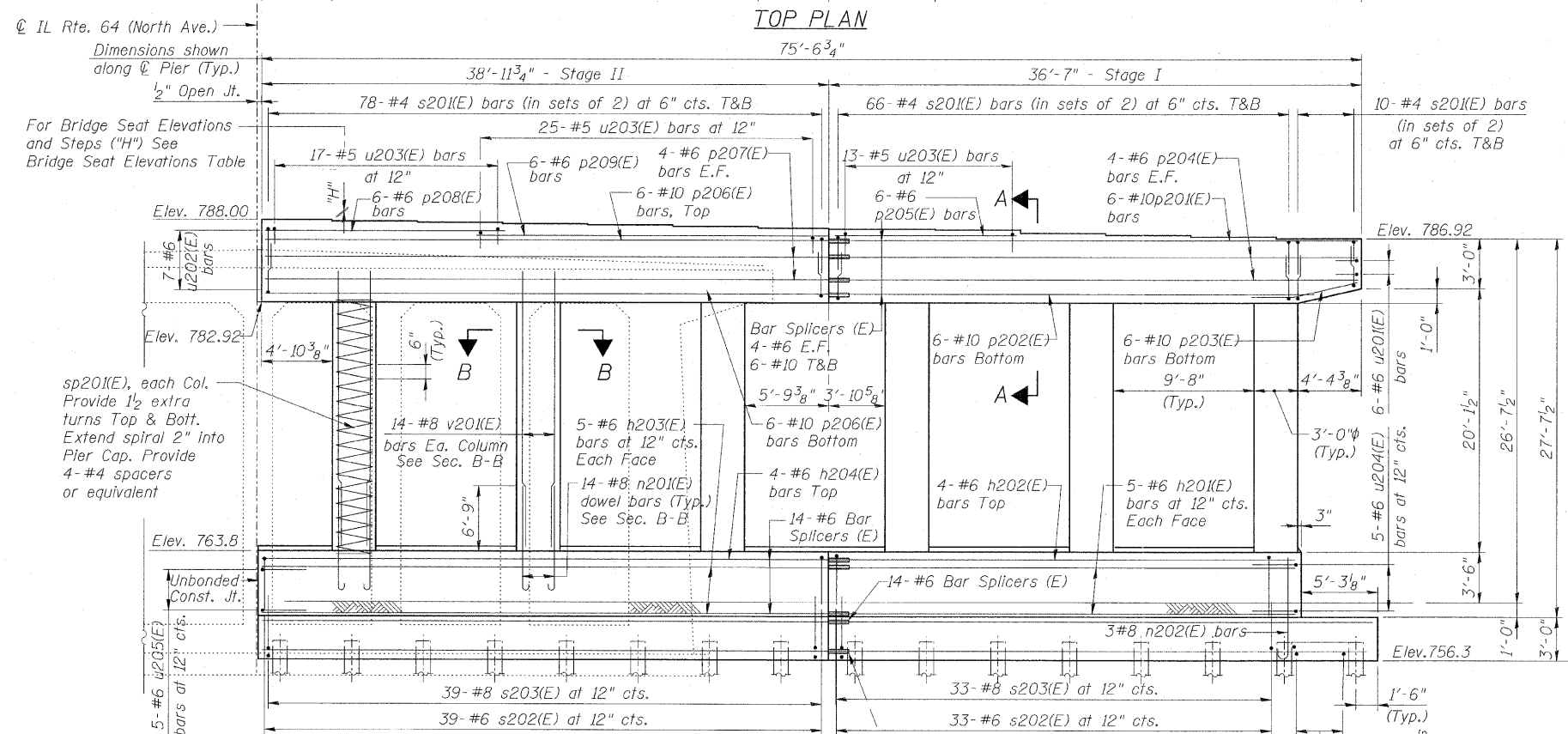
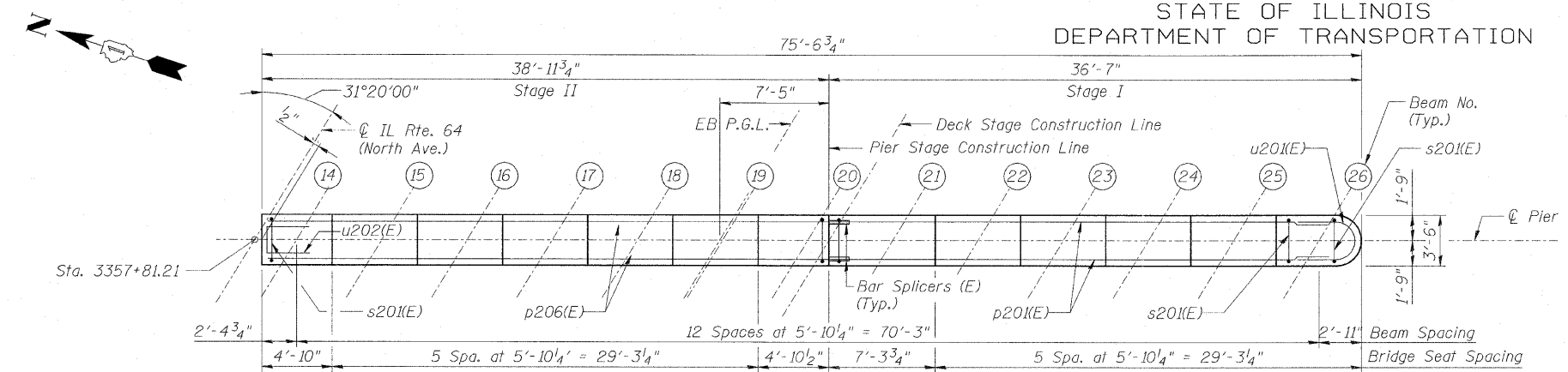
62410

PILE DATA:

Type: Steel HP 14x73 w/ Pile Shoes
 Nominal Required Bearing: 240 Kips
 Factored Resistance Available: 120 Kips
 Est. Length: 45'
 Piles Required: 48

BEARING SEAT ELEVATIONS

Beam No.	℄ Brg.	"H"
14	788.00	7 ⁸ / ₈ "
15	787.92	7 ⁸ / ₈ "
16	787.85	1"
17	787.77	1"
18	787.69	1"
19	787.61	1"
20	787.53	1"
21	787.45	1 ¹ / ₈ "
22	787.35	1 ¹ / ₄ "
23	787.24	1 ¹ / ₄ "
24	787.14	1 ¹ / ₄ "
25	787.03	1 ³ / ₈ "
26	786.92	---



- NOTES:**
1. Reinforcement Bars designated (E) shall be epoxy coated.
 2. Bars indicated thus 26x7-#5 etc. indicates 26 lines of bars with 7 lengths per line.
 3. See Sheet B47 For Details and Bill of Material.
 4. Work Sheets B45 thru B47 together.

REVISIONS	
NAME	DATE

Sheet B46 of 56

F.A.P. ROUTE 307 ILLINOIS ROUTE 64
 (NORTH AVENUE)
 OVER E.J.&E. AND U.P. R.R.
 EB PIER 2
 PLANS & ELEVATION
 STRUCTURE NUMBER 022-0190
 FAP 307 SECTION 130 R-2
 DUPAGE COUNTY
 STA. 3357+81.21

SCALE: None
 DATE: NOVEMBER 1, 2011
 DRAWN BY: CHD
 CHECKED BY: MJP

