

STATE OF ILLINOIS  
 DEPARTMENT OF TRANSPORTATION

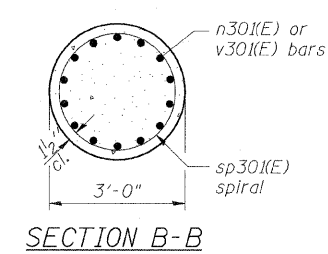
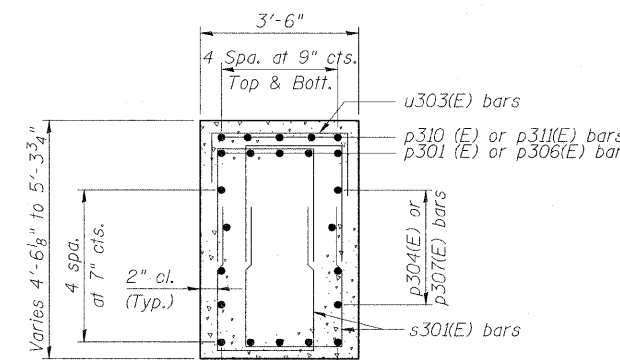
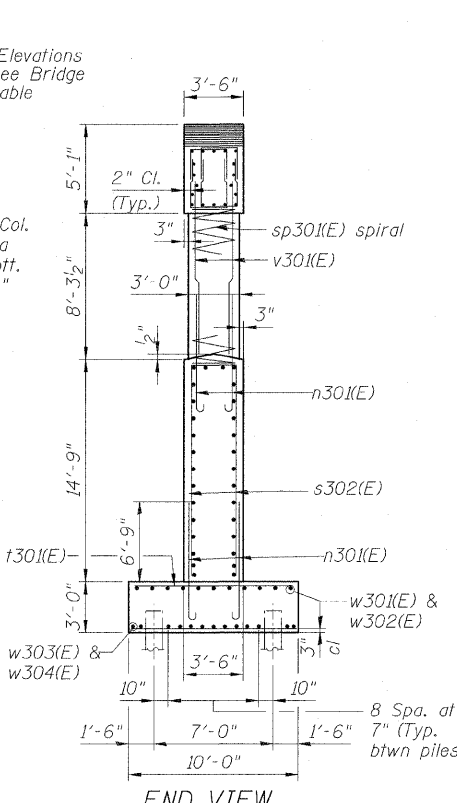
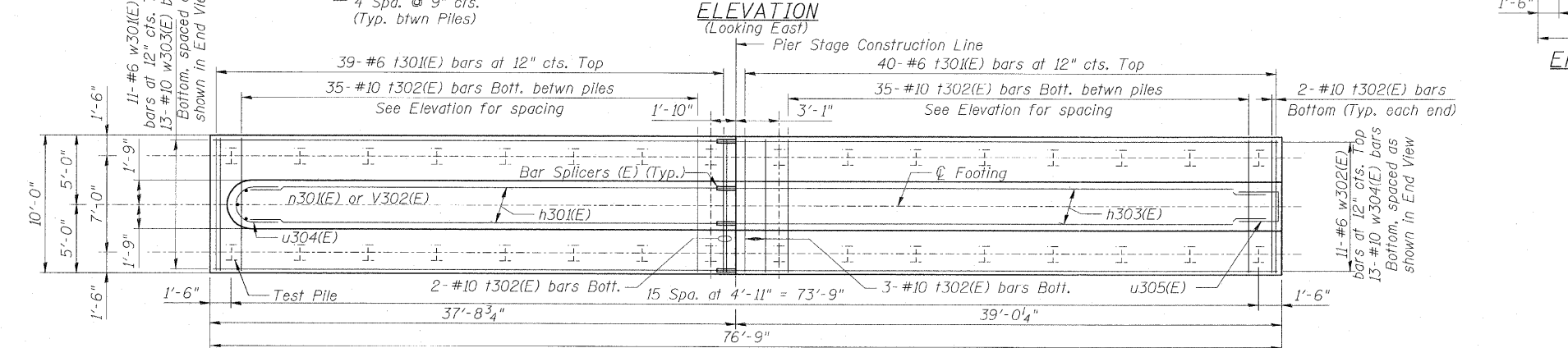
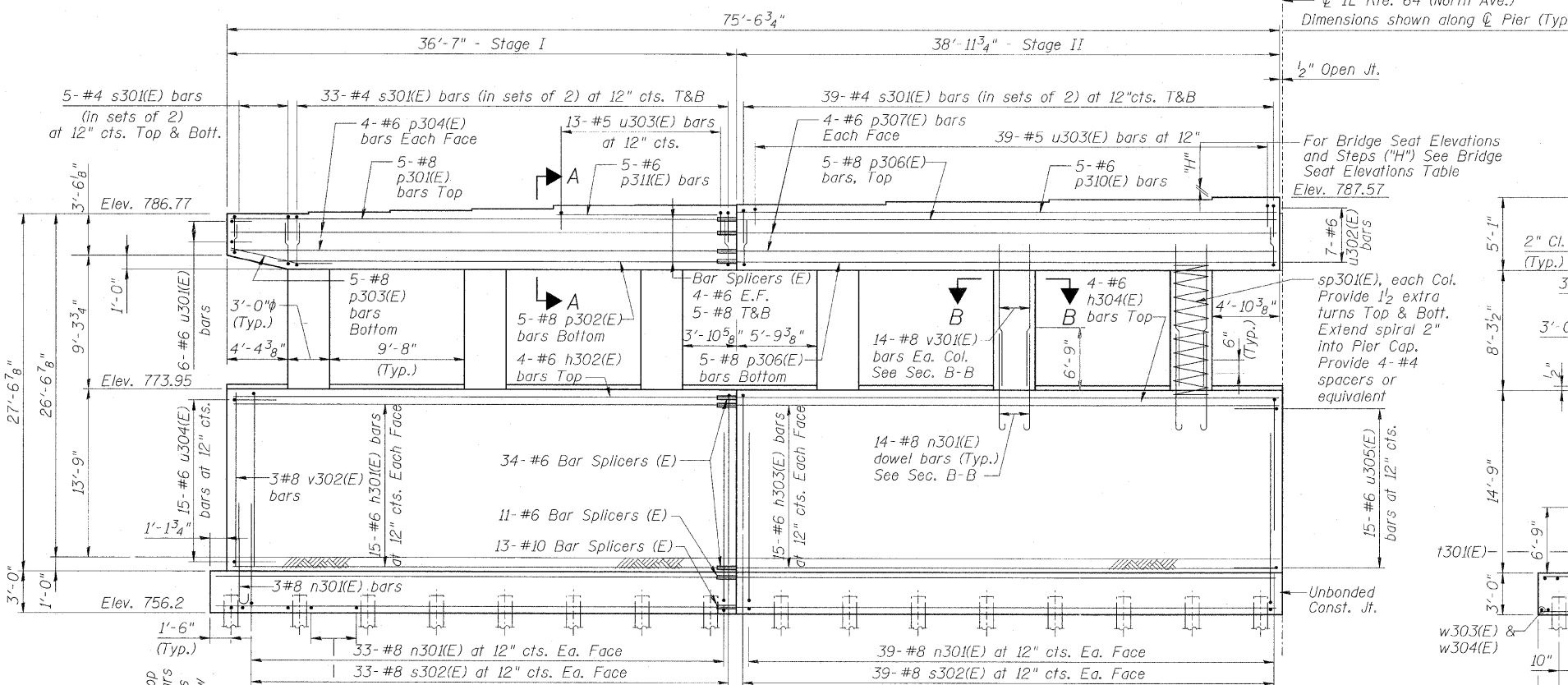
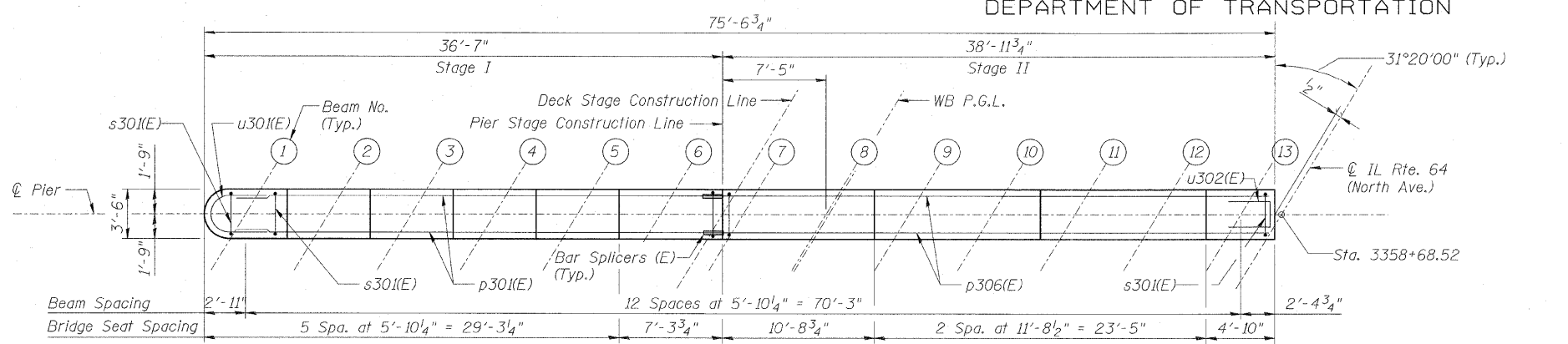
F.A.P. RTE.	SECTION	COUNTY	TOTAL SHEETS	SHEET NO.
307	130 R-2	DUPAGE, KANE	647	491
STA. 3356+37.74		TO STA. 3359+24.72		
FED. ROAD DIST. NO.	ILLINOIS	FED. AID PROJECT		

62410

**PILE DATA:**

Type: Steel HP 14x73 w/ Pile Shoes  
 Nominal Required Bearing: 240 Kips  
 Factored Resistance Available: 120 Kips  
 Est. Length: 45'  
 Piles Required: 31  
 Test Piles: 1

Beam No.	¢ Brg.	Step "H"	Shim Height
1	786.77	---	--
2	786.85	1"	--
3	786.94	1"	--
4	787.03	1"	--
5	787.09	7/8"	--
6	787.17	7/8"	--
7	787.23	3/4"	--
8	787.23	0"	5/8"
9	787.35	1 3/8"	--
10	787.35	0"	5/8"
11	787.46	1 3/8"	--
12	787.46	0"	5/8"
13	787.57	1 3/8"	--



- NOTES:**
- Reinforcement Bars designated (E) shall be epoxy coated.
  - Bars indicated thus 26x7-#5 etc. indicates 26 lines of bars with 7 lengths per line.
  - See Sheet B50 for Superstructure Details and Bill of Material.
  - Work Sheets B48 thru B50 together.

REVISIONS	
NAME	DATE

Sheet B48 of 56

F.A.P. ROUTE 307 ILLINOIS ROUTE 64  
 (NORTH AVENUE)  
 OVER E.J.&E. AND U.P. R.R.  
 WB PIER 3  
 PLANS & ELEVATION  
 STRUCTURE NUMBER 022-0190  
 FAP 307 SECTION 130 R-2  
 DUPAGE COUNTY  
 STA. 3357+81.21

SCALE: None  
 DATE: NOVEMBER 1, 2011  
 DRAWN BY: CHD  
 CHECKED BY: MJP

