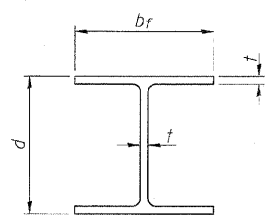


STATE OF ILLINOIS
 DEPARTMENT OF TRANSPORTATION

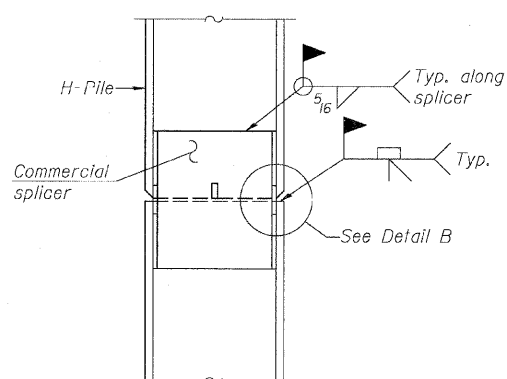
F.A.P. RTE.	SECTION	COUNTY	TOTAL SHEETS	SHEET NO.
307	130 R-2	DUPAGE, KANE	647	494
STA. 3356+37.74		TO STA. 3359+24.72		
FED. ROAD DIST. NO.		ILLINOIS FED. AID PROJECT		

62410

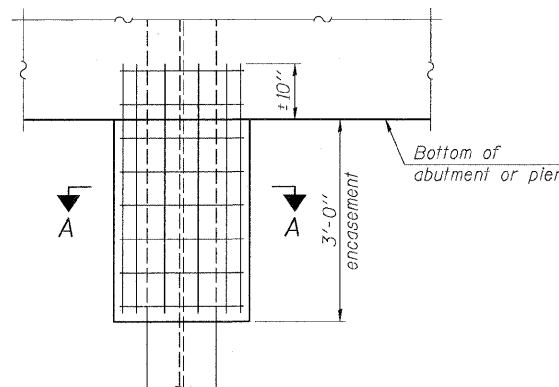


STEEL PILE TABLE

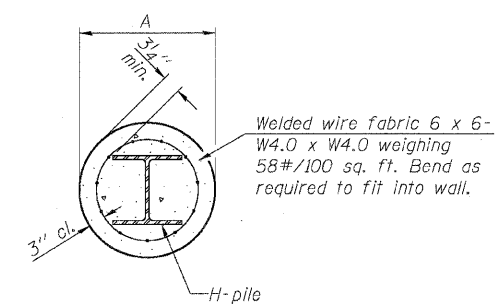
Designation	Depth d	Flange width br	Web and Flange thickness t	Encasement diameter A
HP 14x73	13 ⁵ / ₈ "	14 ⁵ / ₈ "	1/2"	30"



ELEVATION



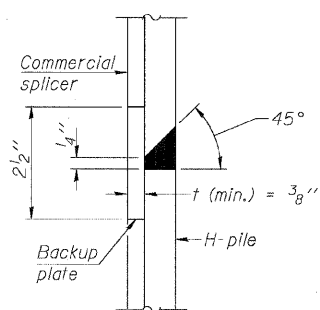
ELEVATION



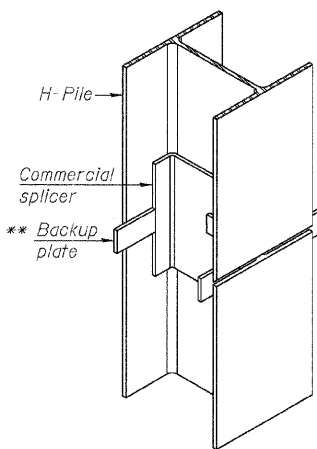
SECTION A-A

Note:
 Forms for encasement may be omitted when soil conditions permit.

PILE ENCASEMENT

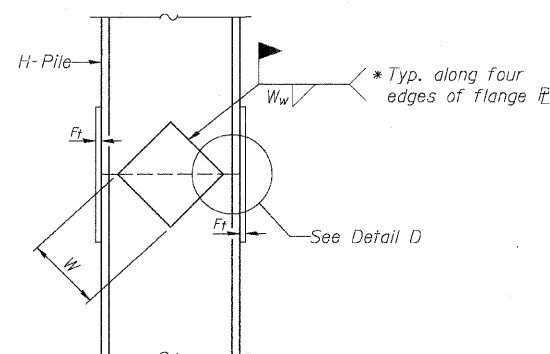


DETAIL "B"

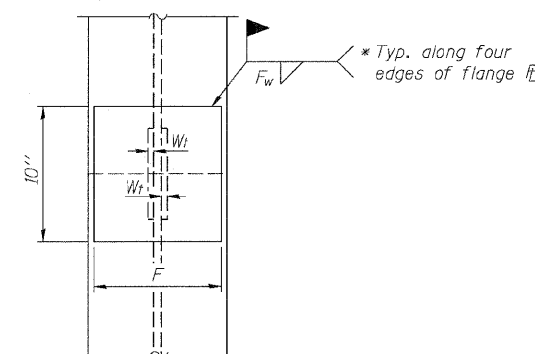


ISOMETRIC VIEW

WELDED COMMERCIAL SPLICE

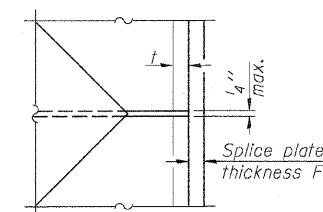


ELEVATION



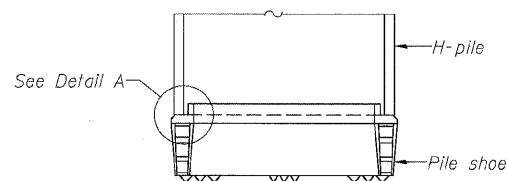
END VIEW

Designation	F	F _t	F _w	W	W _t	W _w
HP 14x73	12 ¹ / ₂ "	5 ⁵ / ₈ "	9 ⁵ / ₁₆ "	7 ³ / ₄ "	5 ⁵ / ₈ "	1 ¹ / ₂ "

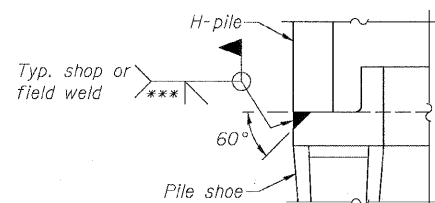


DETAIL D

WELDED PLATE FIELD SPLICE

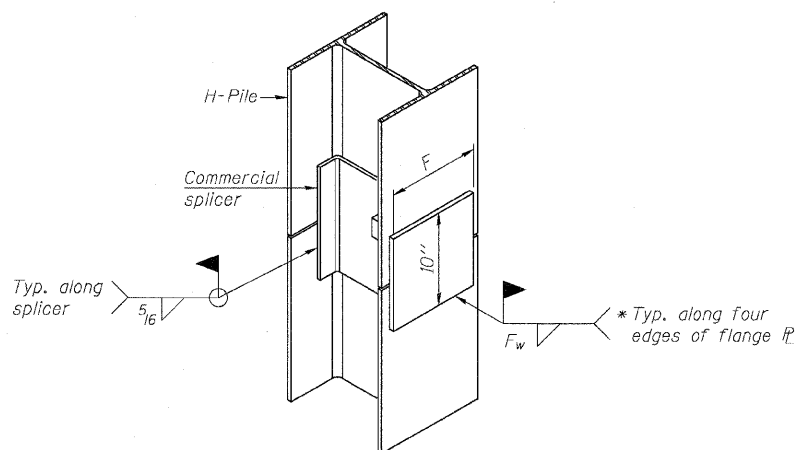


ELEVATION



DETAIL A

H-PILE SHOE ATTACHMENT



ISOMETRIC VIEW

WELDED COMMERCIAL SPLICE ALTERNATE

- * Interrupt welds 1/4" from end of web and/or each flange.
- ** Remove portions of backup plates that extend outside the flanges.
- *** Weld size per pile shoe manufacturer (5/16" min.).

Note:
 The steel H-piles shall be according to AASHTO M270 Grade 50.

REVISIONS	
NAME	DATE

F.A.P. ROUTE 307 ILLINOIS ROUTE 64 (NORTH AVENUE) OVER E.J.&E. AND U.P. R.R. HP PILE DETAILS
 STRUCTURE NUMBER 022-0190 FAP 307 SECTION 130 R-2 DUPAGE COUNTY STA. 3357+81.21
 SCALE: None DATE: MAY 13, 2011 DRAWN BY: CHECKED BY: MJP