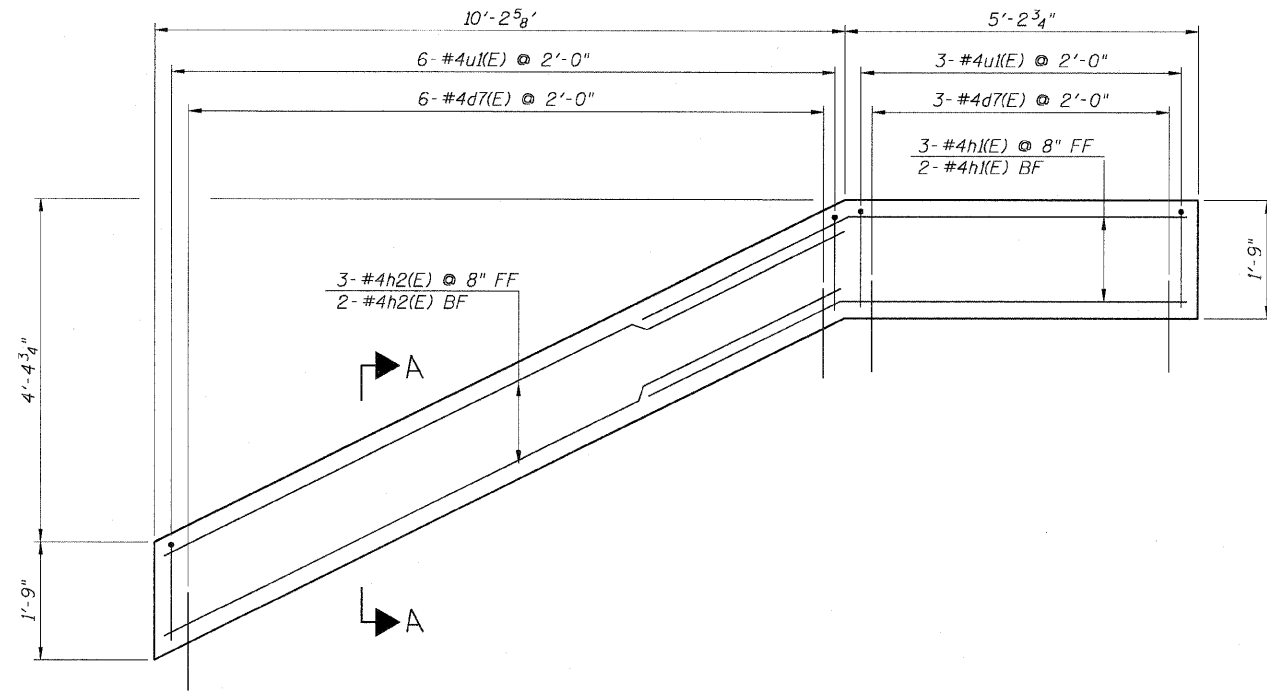


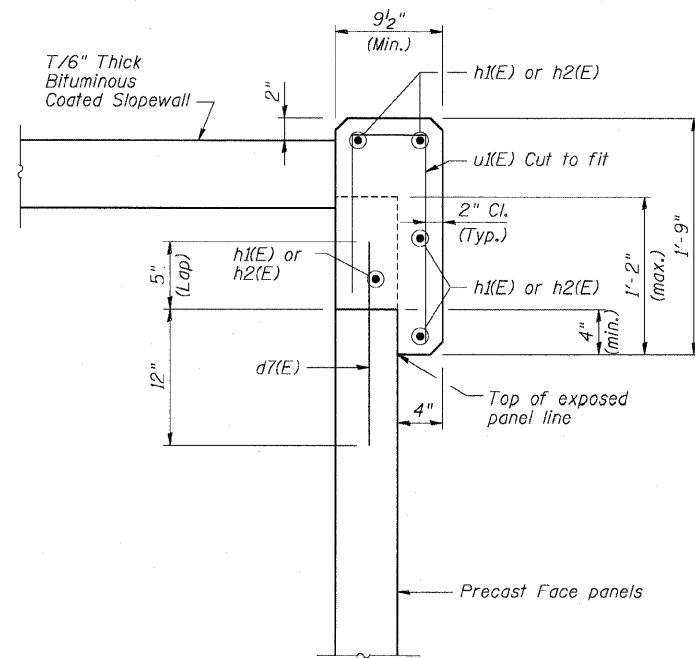
STATE OF ILLINOIS
 DEPARTMENT OF TRANSPORTATION

F.A.P. RTE.	SECTION	COUNTY	TOTAL SHEETS	SHEET NO.
307	130 R-2	DUPAGE, KANE	647	507
STA. 3356+37.74		TO STA. 3359+24.72		
FED. ROAD DIST. NO.		ILLINOIS FED. AID PROJECT		

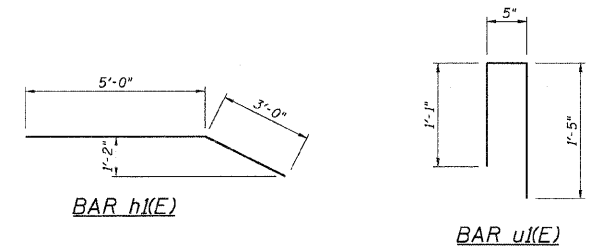
62410



COPING DETAIL



SECTION A-A



NOTES:

1. For General Notes, see Sheet NW2.
2. For Bar Bending Diagrams, see Sheet NW9.
3. Concrete and Reinforcing Steel for the Slopewall Coping are included in the cost of Mechanically Stabilized Earth Retaining Wall.

Sheet NW8 of 9

REVISIONS		NAME	DATE
NO.	DESCRIPTION		

F.A.P. ROUTE 307 ILLINOIS ROUTE 64
 (NORTH AVENUE)
 OVER E.J.&E. AND U.P. R.R.
 COPING DETAILS

STRUCTURE NUMBER 022-W027
 FAP 307 SECTION 130 R-2
 DUPAGE COUNTY
 STA. 3349+70.04 TO 3356+08.49

SCALE: None
 DATE: MAY 13, 2011

DRAWN BY: MRK
 CHECKED BY: MJP

