

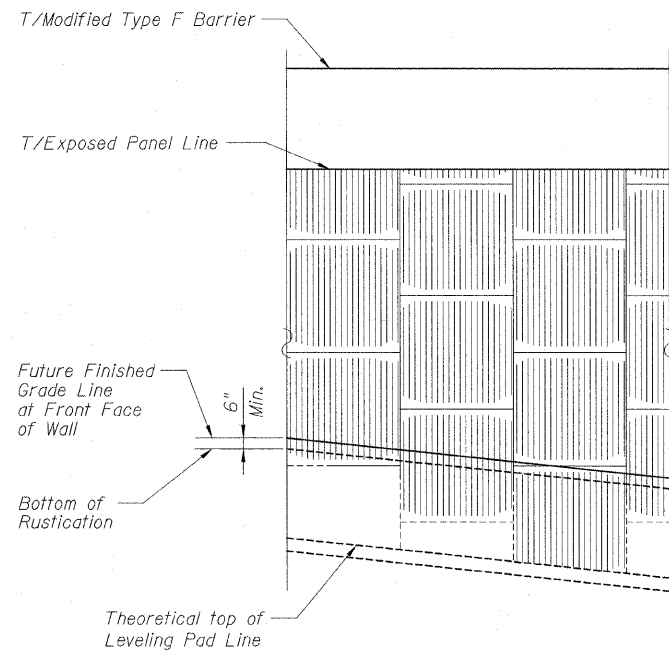
STATE OF ILLINOIS  
 DEPARTMENT OF TRANSPORTATION

F.A.P. RTE.	SECTION	COUNTY	TOTAL SHEETS	SHEET NO.
307	130 R-2	DUPAGE, KANE	647	524
STA. 3356+37.74		TO STA. 3359+24.72		
FED. ROAD DIST. NO.		ILLINOIS FED. AID PROJECT		

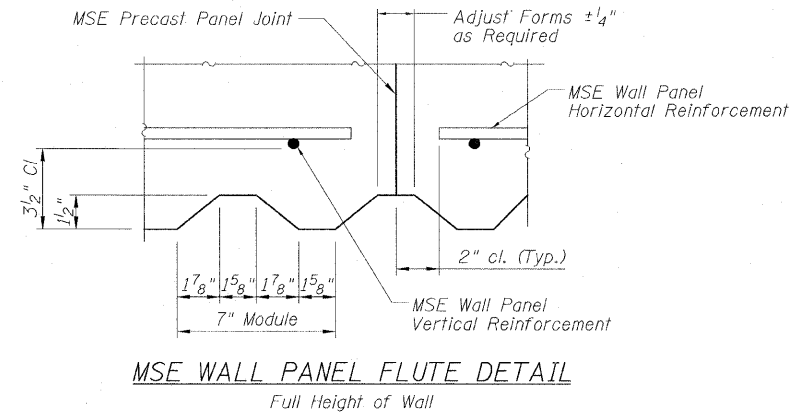
62410

BILL OF MATERIAL

Bar	No.	Size	Length	Shape	
a1(E)	862	#5	8'-7"	[Shape]	
a2(E)	862	#5	7'-6"	[Shape]	
a3(E)	6	#6	4'-9"	[Shape]	
a4(E)	48	#5	4'-8"	[Shape]	
a5(E)	2	#5	6'-6"	[Shape]	
a7(E)	6	#6	7'-11"	[Shape]	
b1(E)	306	#5	33'-8"	[Shape]	
b2(E)	17	#5	35'-8"	[Shape]	
d1(E)	862	#5	5'-7"	[Shape]	
d2(E)	862	#5	6'-2"	[Shape]	
d3(E)	284	#6	2'-6"	[Shape]	
d4(E)	10	#6	8'-11"	[Shape]	
d5(E)	6	#6	4'-5"	[Shape]	
e1(E)	126	#4	29'-6"	[Shape]	
e2(E)	18	#4	32'-1"	[Shape]	
e3(E)	18	#8	34'-5"	[Shape]	
e5(E)	7	#4	31'-6"	[Shape]	
e6(E)	1	#4	31'-6"	[Shape]	
e7(E)	1	#8	31'-6"	[Shape]	
Item				Unit	Quantity
Reinforcement Bars, Epoxy Coated				Pound	42,720

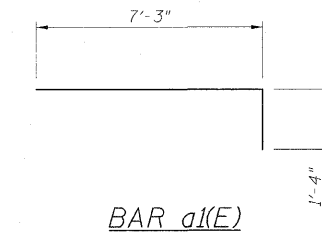


ELEVATION  
 TYPICAL ARCHITECTURAL FINISH

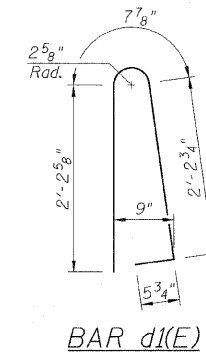


MSE WALL PANEL FLUTE DETAIL

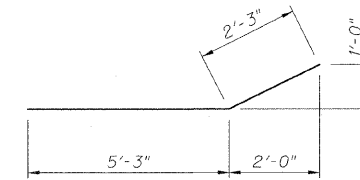
Full Height of Wall



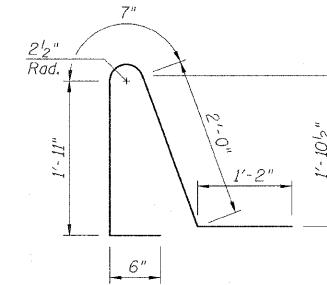
BAR a1(E)



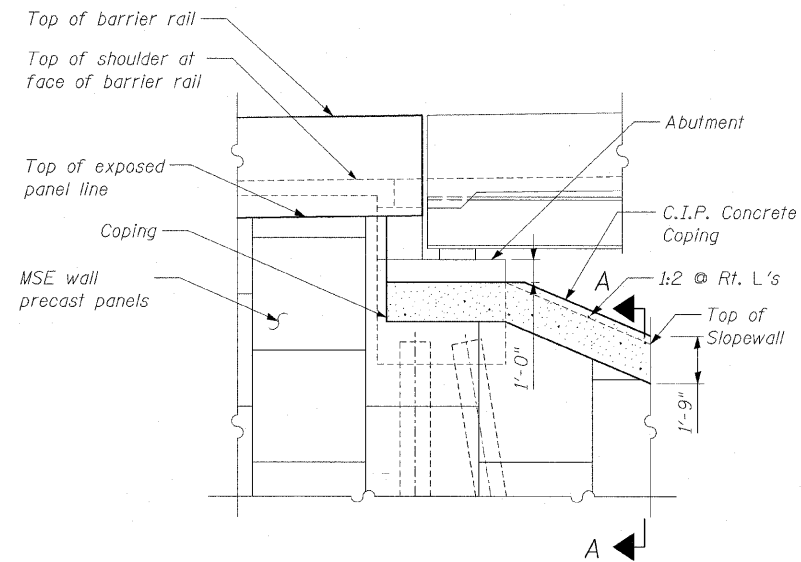
BAR d1(E)



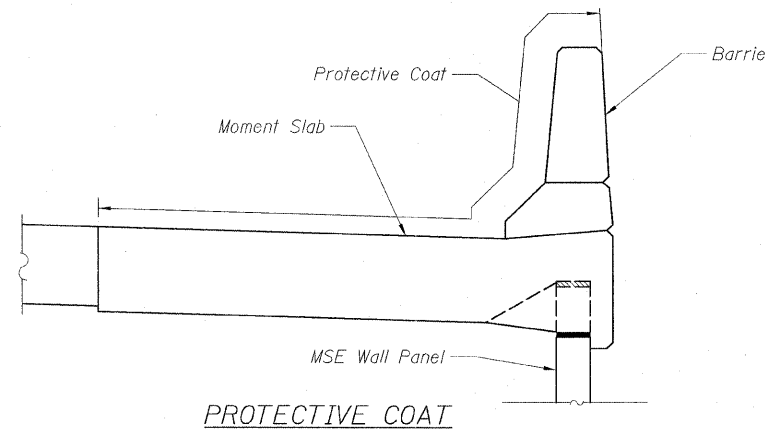
BAR a2(E)



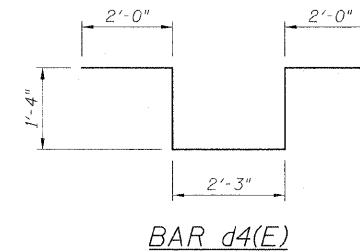
BAR d2(E)



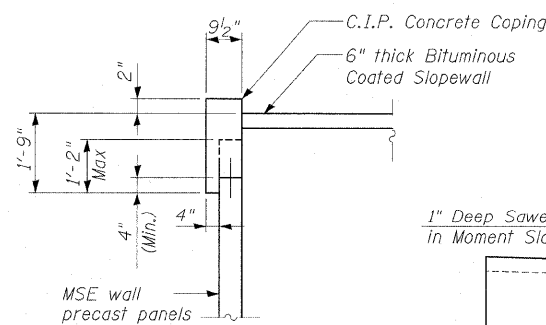
DETAIL 1  
 (Looking North)



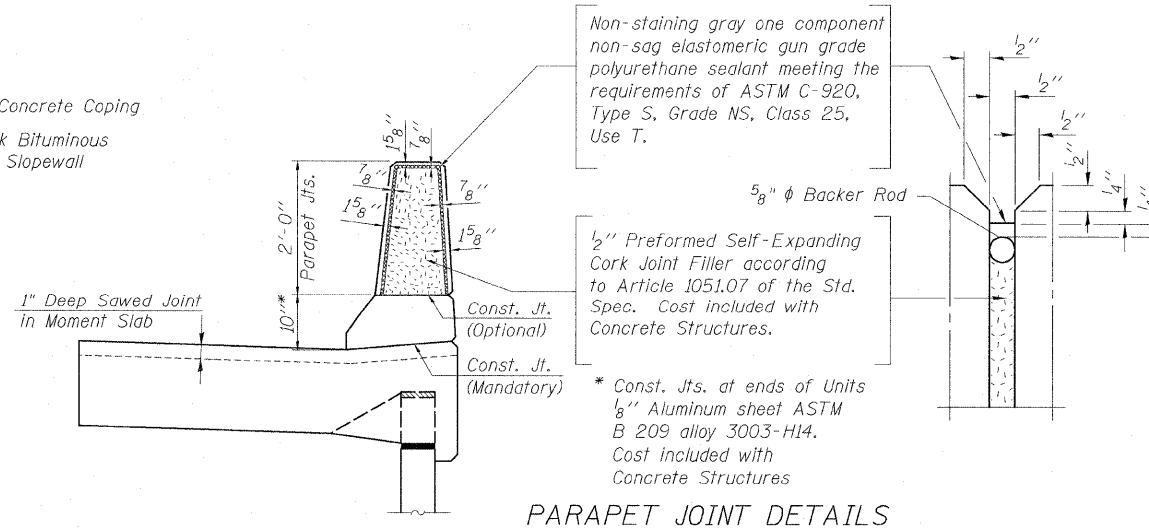
PROTECTIVE COAT



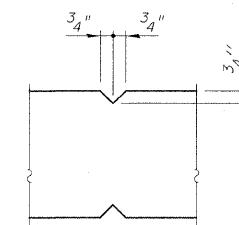
BAR d4(E)



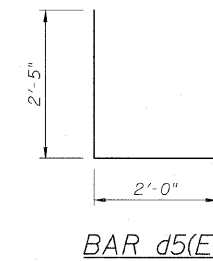
SECTION A-A



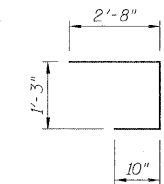
PARAPET JOINT DETAILS



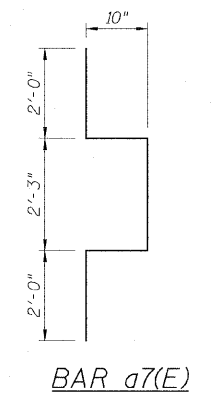
3/4" V-GROOVED JOINT DETAIL



BAR d5(E)



BAR a3(E)



BAR a7(E)

NOTES:

1. For General Notes, see Sheet SW2.

REVISIONS	
NAME	DATE

Sheet SW8 of 8  
 F.A.P. ROUTE 307 ILLINOIS ROUTE 64 (NORTH AVENUE) OVER E.J.&E. AND U.P. R.R. REINFORCEMENT DETAILS AND BILL OF MATERIAL STRUCTURE NUMBER 022-W029 FAP 307 SECTION 130 R-2 DUPAGE COUNTY STA. 3350+69.00 TO 3356+80.01 SCALE: None DRAWN BY: MRK DATE: NOVEMBER 1, 2011 CHECKED BY: MJP

