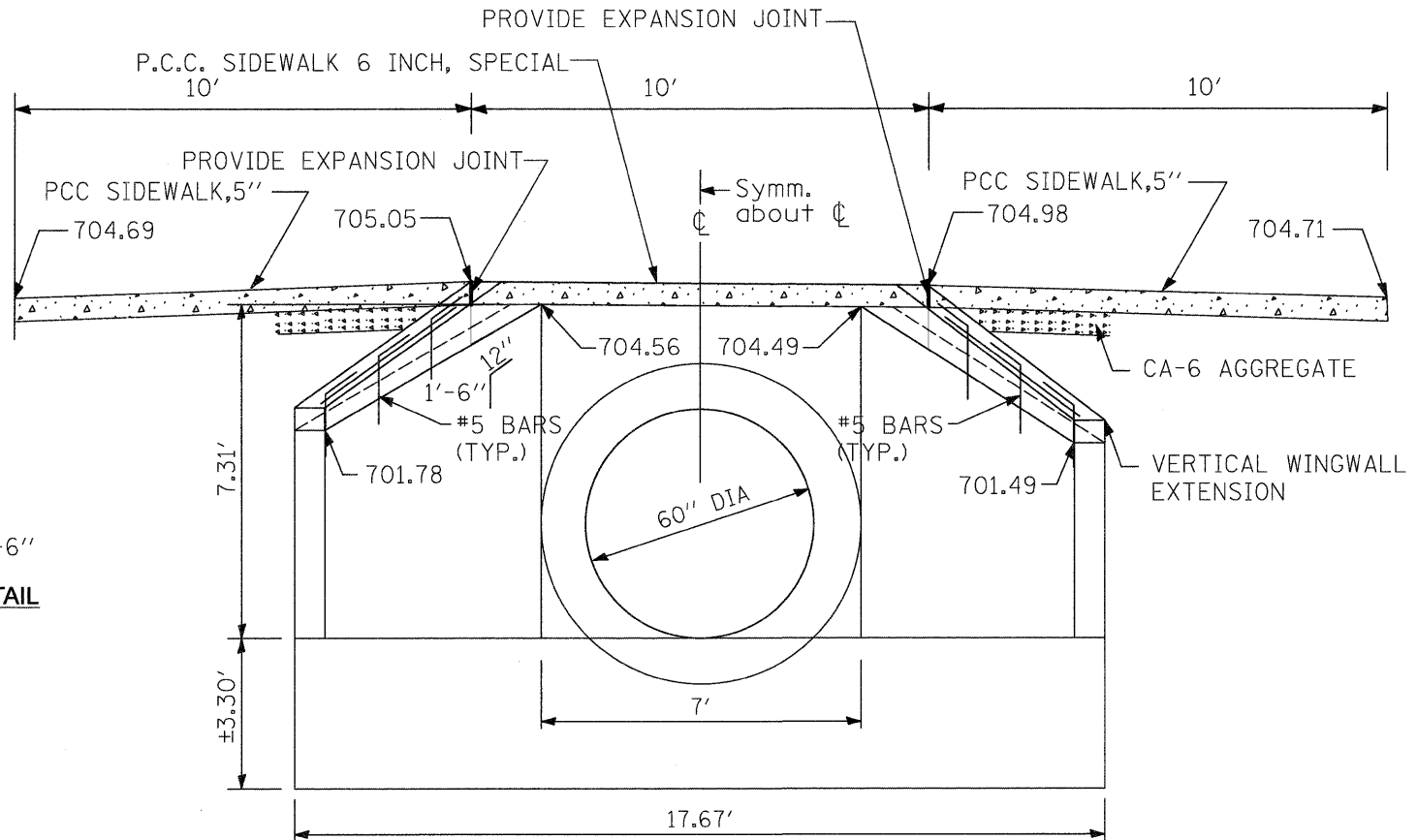
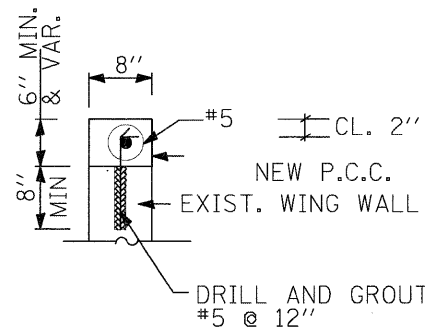


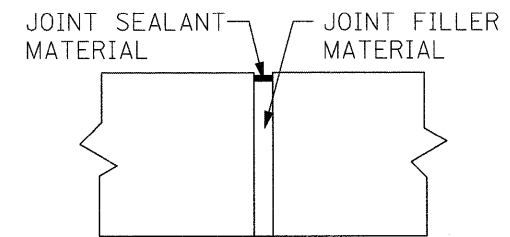
CULVERT CROSSING SECTION
SCALE: 1"=2'-0"



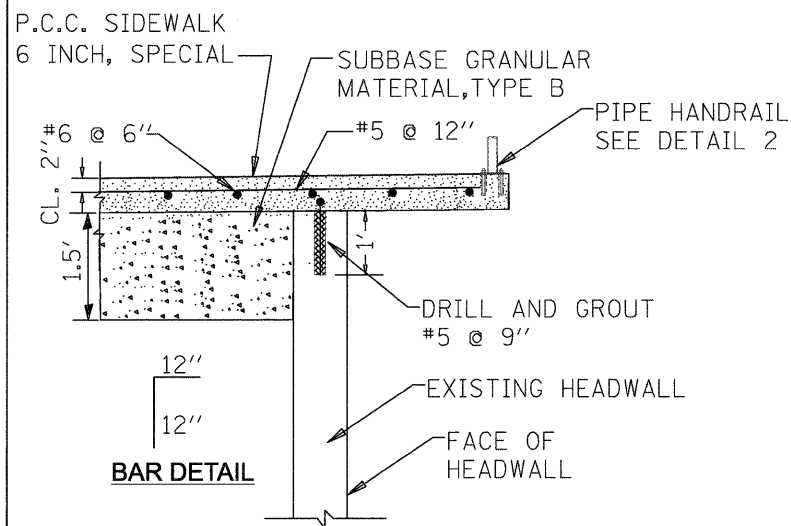
END ELEVATION
SCALE: 1"=2'-0"



VERTICAL WING WALL EXTENSION SECTION
N.T.S.



EXPANSION JOINT DETAIL
SCALE: N.T.S.



P.C.C. SIDEWALK 6 INCH, SPECIAL DETAIL
SCALE: N.T.S.

NOTE:

* PLAN DIMENSIONS AND DETAILS RELATIVE TO THE EXISTING STRUCTURE HAVE BEEN TAKEN FROM SELECTED SURVEYED COMPONENT LOCATIONS AND ELEVATIONS AND ARE SUBJECT TO CONSTRUCTION VARIATIONS. IT SHALL BE THE CONTRACTOR'S RESPONSIBILITY TO VERIFY SUCH DIMENSIONS AND DETAILS IN THE FIELD AND MAKE NECESSARY APPROVED ADJUSTMENTS PRIOR TO CONSTRUCTION OR ORDERING OF MATERIALS. SUCH VARIATIONS SHALL NOT BE CAUSE FOR ADDITIONAL COMPENSATION FOR A CHANGE IN SCOPE OF THE WORK. HOWEVER, THE CONTRACTOR WILL BE PAID FOR THE QUANTITY ACTUALLY FURNISHED AT THE UNIT PRICE BID FOR THE WORK.

DRILLING OF BARS SHALL BE DONE IN ACCORDANCE WITH SECTION 584 OF THE STANDARD SPECIFICATIONS.

FILE NAME = D163197-sht-details_culvert.dgn	USER NAME IDOT	DESIGNED DA	REVISED 10/24/2011	STATE OF ILLINOIS DEPARTMENT OF TRANSPORTATION	CULVERT CROSSING DETAILS			F.A.P. RTE. 347	SECTION 02-00077-00-SW	COUNTY DUPAGE	TOTAL SHEETS 73	SHEET NO. 55			
PLOT SCALE 20.0000' / IN.	CHECKED JJ	DATE 06/08/2011	REVISED					SCALE: AS SHOWN	SHEET NO.	OF SHEETS	STA.	TO STA.	CONTRACT NO. 63197		
PLOT DATE 18/25/2011	DATE							FED. ROAD DIST. NO. ILLINOIS FED. AID PROJECT							