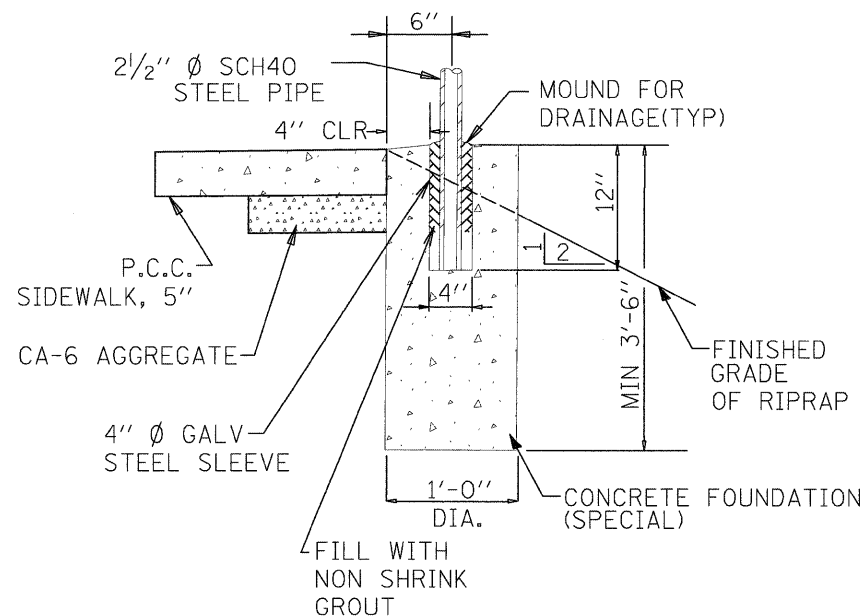


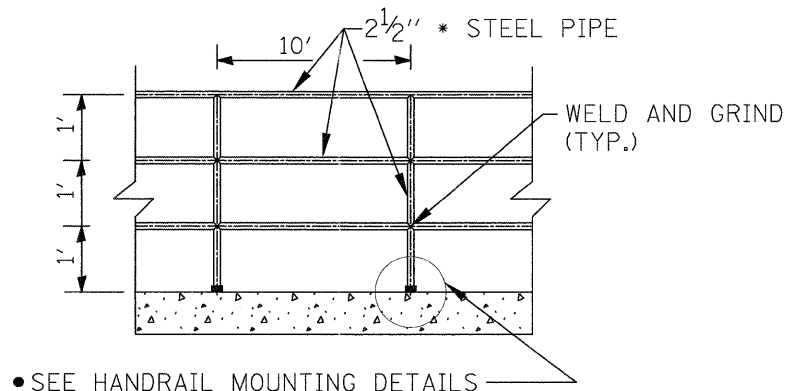
## ANCHOR BOLT DETAILS FOR MOUNTING HANDRAIL ONTO PCC SIDEWALK 6 INCH, SPECIAL

In lieu of the cast-in-place anchor device shown, the Contractor has the option of drilling and setting 5/8" anchor rods according to Article 509.06 of the Standard Specifications. Embedment shall be according to the manufacturer's specifications.



## HANDRAIL MOUNTING DETAIL ALONG PCC SIDEWALK, 5'

SCALE: N.T.S.



• SEE HANDRAIL MOUNTING DETAILS

## HANDRAIL DETAIL

### NOTE:

CONTRACTOR SHALL SUBMIT SHOP DRAWINGS OF THE HANDRAIL, ITS CONFIGURATIONS AND ITS INSTALLATION TO THE ENGINEER FOR APPROVAL PRIOR TO ORDERING MATERIALS.

HOLLOW STRUCTURAL STEEL TUBING SHALL CONFORM TO THE REQUIREMENTS OF ASTM DESIGNATION A 500, GRADE B, STRUCTURAL STEEL TUBING.

ALL OTHER STEEL SHAPES AND PLATES SHALL CONFORM TO THE REQUIREMENTS OF AASTHO M 183.

### COATING:

ALL POSTS, RAILING, SPLICES, ANCHOR DEVICES, AND PLATES SHALL BE GALVANIZED AFTER SHOP FABRICATION IN ACCORDANCE WITH AASTHO M 232.

VENT HOLES FOR GALVANIZING SHALL BE PLACED IN THE POSTS AND RAILS AT LOCATIONS THAT WILL NOT ALLOW THE ACCUMULATION OF MOISTURE IN THE MEMBERS.

FILE NAME = 0163197-shd-details_handrail.dgn	USER NAME IDOT	DESIGNED DA	REVISD 10/24/2011	<b>STATE OF ILLINOIS DEPARTMENT OF TRANSPORTATION</b>	<b>HANDRAIL MOUNTING DETAILS</b>				F.A.P. RTE. 347	SECTION 02-00077-00-SW	COUNTY DUPAGE	TOTAL SHEETS 73	SHEET NO. 56
	PLOT SCALE 20,0000' / IN.	CHECKED JJ	REVISD		SCALE: AS SHOWN SHEET NO. OF SHEETS STA. TO STA.				CONTRACT NO. 63197				
	PLOT DATE 10/25/2011	DATE 06/08/2011	REVISD						FED. ROAD DIST. NO. ILLINOIS FED. AID PROJECT				