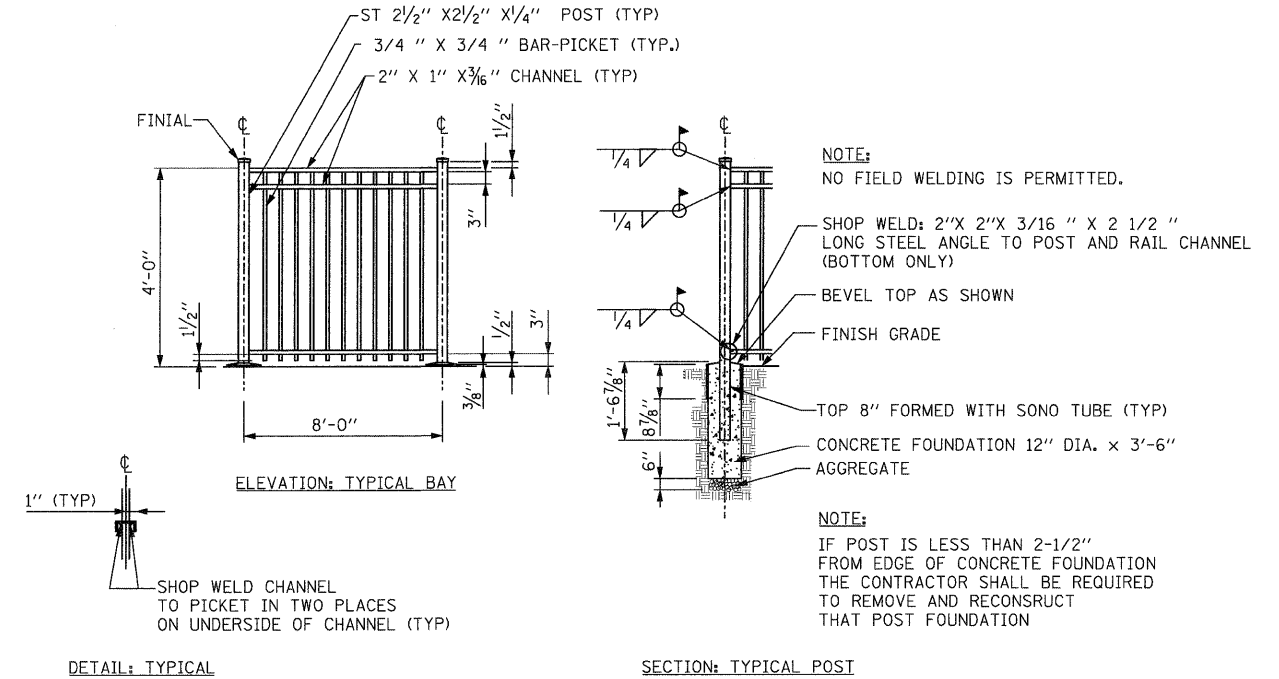
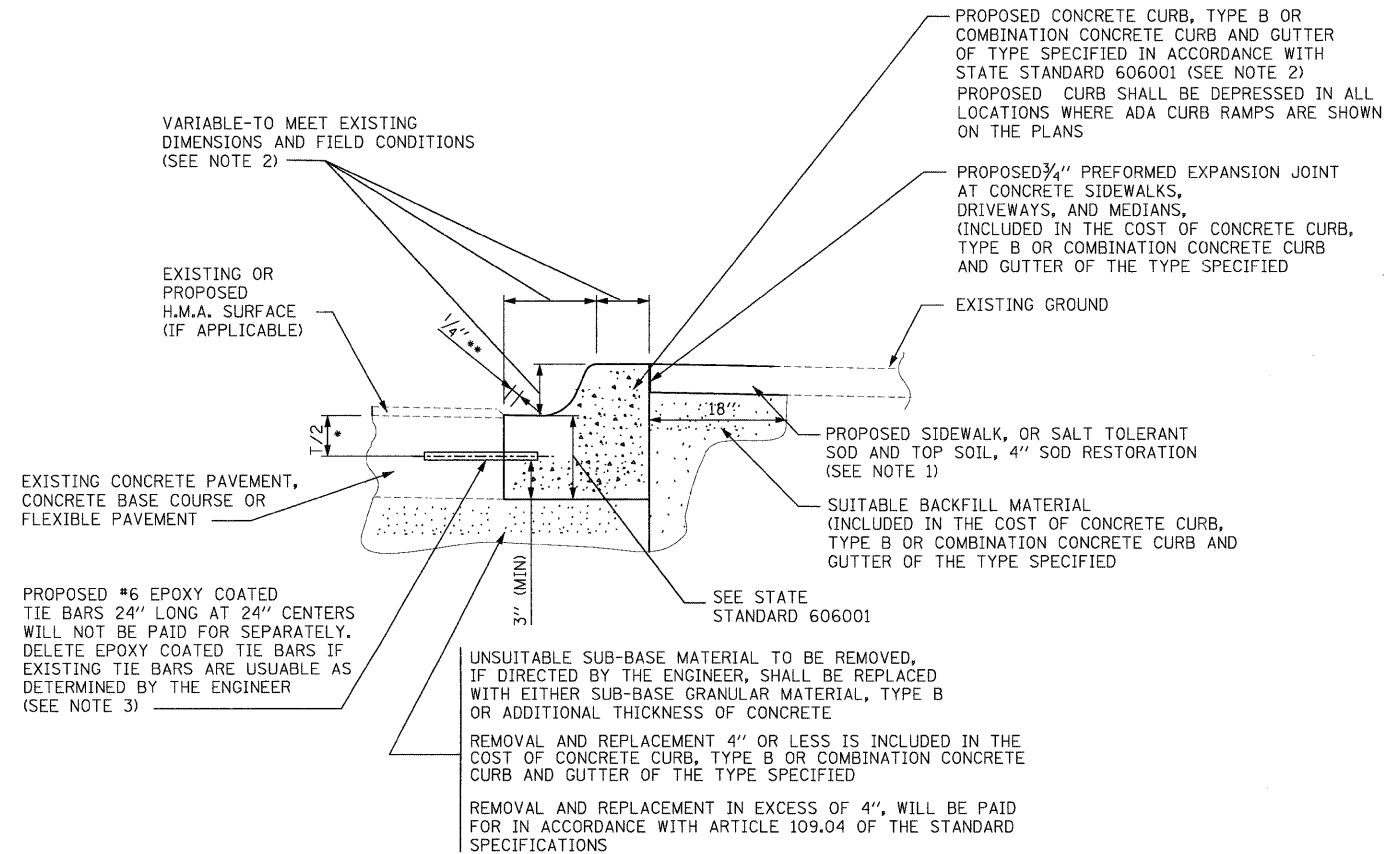


**NOTE:**  
MOUNT ALUMINUM SIGN ON STANDARD CONSTRUCTION SIGN FRAME (PER IDOT STANDARD) ACCORDING TO THE LOCATION SPECIFIED BY THE LOCATION PLAN.

⑤ PROJECT IDENTIFICATION SIGN  
SCALE: N.T.S.



⑥ ORNAMENTAL FENCE, WROUGHT IRON  
SCALE: N.T.S.



⑦ REMOVAL AND REPLACEMENT OF CURB OR CURB AND GUTTER  
SCALE: N.T.S.

- 3" MINIMUM FROM TOP AND BOTTOM OF THE CONCRETE PAVEMENT OR BASE COURSE.
  - IF THE FINAL SURFACE OF THE PAVEMENT IS CONCRETE, THE GUTTER IS TO BE FLUSH WITH THE PAVEMENT.
- NOTES:**
1. SIDEWALK, OR DRIVEWAY PAVEMENT SHALL BE SIMILAR TO THE MATERIAL BEING REMOVED AND WILL BE PAID FOR SEPARATELY.
  2. REPLACEMENT TYPE OF CURB OR CURB AND GUTTER SHALL MATCH THE SHAPE OF THE EXISTING CURB OR CURB AND GUTTER UNLESS OTHERWISE SPECIFIED.
  3. FOR REPLACEMENT CURB OR CURB AND GUTTER ADJACENT TO FLEXIBLE PAVEMENT DELETE EPOXY COATED TIE BARS.
  4. LONGITUDINAL BARS, IF ENCOUNTERED IN THE EXISTING CURB OR CURB AND GUTTER, ARE NOT TO BE REPLACED. CUTTING AND REMOVING LONGITUDINAL BARS SHALL BE INCLUDED IN THE COST OF CONCRETE CURB REMOVAL OR COMBINATION CURB AND GUTTER REMOVAL.
  5. THE COST OF H.M.A. SURFACE REMOVAL IN THE EXISTING GUTTER FLAG SHALL BE INCLUDED IN THE COST OF THE CURB AND GUTTER REMOVAL AND REPLACEMENT.
  6. THE REMOVAL AND REPLACEMENT OF THE EXISTING CURB OR CURB AND GUTTER SHALL BE DONE IN ACCORDANCE WITH THE APPLICABLE PORTIONS OF SECTION 440 AND 606 OF THE STANDARD SPECIFICATIONS.
  7. THE LOCATIONS OF REMOVAL AND REPLACEMENT OF EXISTING CURB OR CURB AND GUTTER SHALL BE DETERMINED BY THE RESIDENT ENGINEER AT THE TIME OF CONSTRUCTION.
- BASIS OF PAYMENT:**
- CURB OR CURB AND GUTTER REMOVAL WILL BE PAID FOR AT THE CONCRETE UNIT PRICE PER FOOT FOR CONCRETE CURB REMOVAL OR COMBINATION CONCRETE CURB AND GUTTER REMOVAL.
- REPLACEMENT CURB OR CURB AND GUTTER WILL BE PAID FOR AT THE CONTRACT UNIT PRICE PER FOOT FOR CONCRETE CURB, TYPE B OR COMBINATION CONCRETE CURB AND GUTTER OF THE TYPE SPECIFIED.

FILE NAME = D163197-sht-details02.dgn	USER NAME IDOT	DESIGNED DA	REVISED 10/24/2011	<b>STATE OF ILLINOIS DEPARTMENT OF TRANSPORTATION</b>	<b>PROJECT SPECIFIC DETAILS</b>			F.A.P. RTE.	SECTION	COUNTY	TOTAL SHEETS	SHEET NO.
		DRAWN CM /BB	REVISED					347	02-00077-00-SW	DUPAGE	73	58
		CHECKED JJ	REVISED		SCALE: AS SHOWN SHEET NO. 2 OF 2 SHEETS STA. TO STA.			CONTRACT NO. 63197				
		DATE 06/08/2011	REVISED		FED. ROAD DIST. NO.		ILLINOIS FED. AID PROJECT					