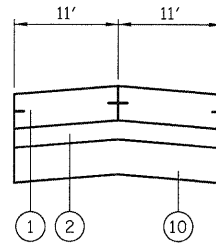
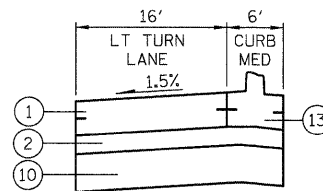


PROPOSED LEGEND

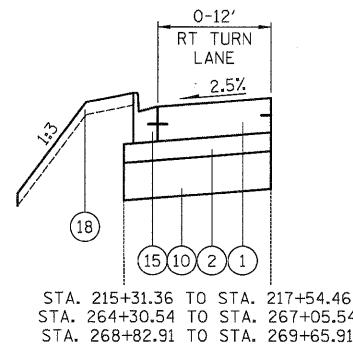
- ① PORTLAND CEMENT CONCRETE PAVEMENT, 10" (JOINTED)
- ② SUB-BASE GRANULAR MATERIAL, TYPE B, 6"
- ③ POLYMERIZED HOT-MIX ASPHALT SURFACE COURSE, MIX "F", N90 (IL 9.5mm), 1 3/4"
- ④ POLYMERIZED HOT-MIX ASPHALT BINDER COURSE, IL-19.0, N90, 12 1/4"
- ⑤ HOT-MIX ASPHALT SURFACE COURSE, MIX "D", N70, 2"
- ⑥ HOT-MIX ASPHALT BINDER COURSE, IL-19.0, N70, 2"
- ⑦ HOT-MIX ASPHALT BINDER COURSE, IL-19.0, N50, 11 1/2"
- ⑧ HOT-MIX ASPHALT SURFACE COURSE, MIX "D", N50, 2"
- ⑨ HOT-MIX ASPHALT BINDER COURSE, IL-19.0, N50, 4"
- ⑩ AGGREGATE SUBGRADE, 12"
- ⑪ POROUS GRANULAR EMBANKMENT, SUBGRADE, VARIABLE DEPTH
- SEE TABLE ON SHEET NO. 12
- ⑫ NUMBER NOT USED
- ⑬ CONCRETE MEDIAN, TYPE SB-6.12
- ⑭ CONCRETE MEDIAN, TYPE SB-6.24
- ⑮ COMBINATION CONCRETE CURB AND GUTTER, B-6.24
- ⑯ HOT-MIX ASPHALT SHOULDERS, 6"
- ⑰ AGGREGATE SHOULDERS, TYPE B 6"
- ⑱ TOPSOIL FURNISH AND PLACE, 4" SEEDING, FERTILIZER, AND EROSION MAT



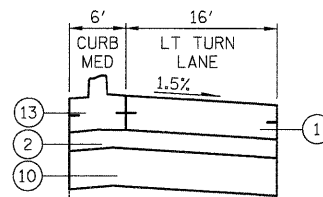
STA. 216+31.30 TO STA. 218+21.72
 STA. 225+78 TO STA. 227+27
 STA. 261+58.53 TO STA. 263+02.54
 STA. 268+67.41 TO STA. 269+73.41



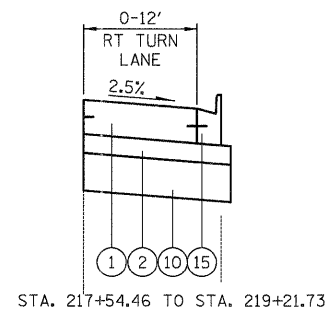
STA. 218+21.72 TO STA. 220+24.73
 STA. 227+27 TO STA. 229+30



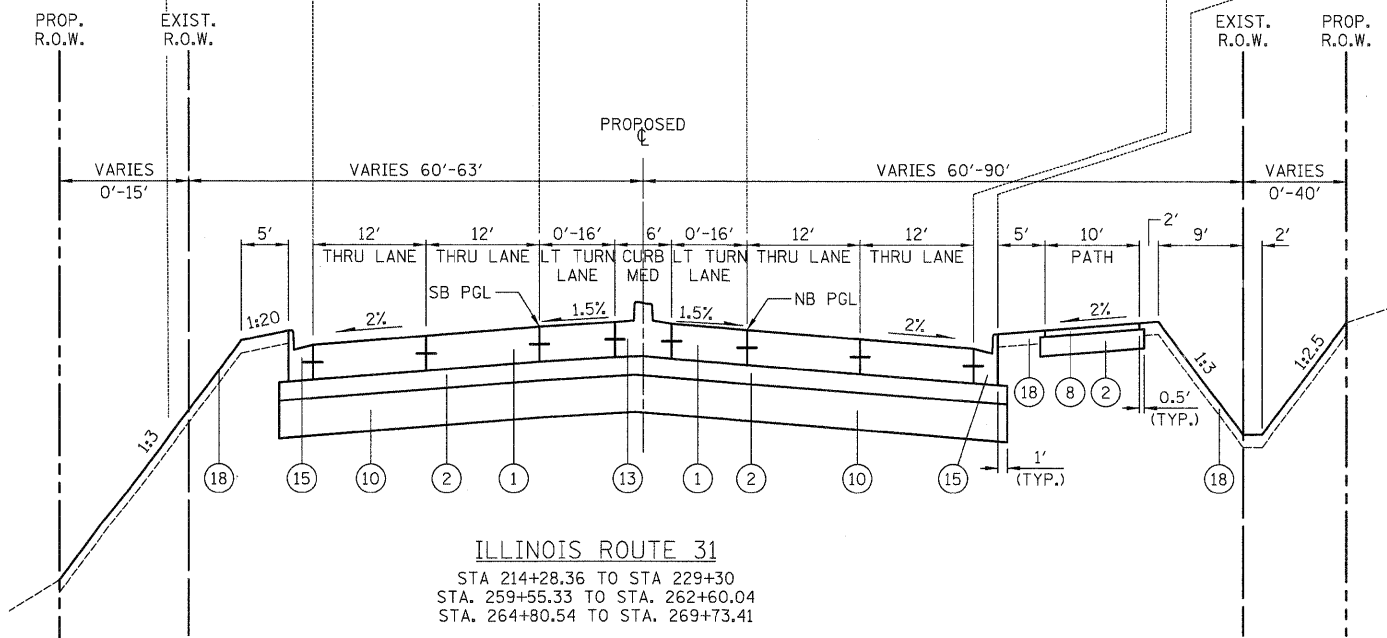
STA. 215+31.36 TO STA. 217+54.46
 STA. 264+30.54 TO STA. 267+05.54
 STA. 268+82.91 TO STA. 269+65.91



STA. 214+28.36 TO STA. 216+31.36
 STA. 223+75 TO STA. 225+78
 STA. 259+55.53 TO STA. 261+58.53
 STA. 266+88.77 TO STA. 268+67.00



STA. 217+54.46 TO STA. 219+21.73



FILE NAME =	USER NAME = dte	DESIGNED - KWH	REVISED -	STATE OF ILLINOIS DEPARTMENT OF TRANSPORTATION	PROPOSED TYPICAL SECTIONS	F.A.U. RTE. 3887	SECTION 96-00209-01-PV	COUNTY McHENRY	TOTAL SHEETS 271	SHEET NO. 11		
Y:\2278 Virginia Klassen\cad\sheet\03-Typical\2278_TYP.02.dgn	PLOT SCALE = 1:8000' / in.	CHECKED - GAB	REVISED -			SCALE: NONE	SHEET NO. 3 OF 8 SHEETS	STA. TO STA.	FED. ROAD DIST. NO. 1 ILLINOIS	FED. AID PROJECT HPP-4064003	CONTRACT NO. 63553	
PLOT DATE = 10/24/2011	DATE = 10/24/11	REVISOR -	REVISED -									