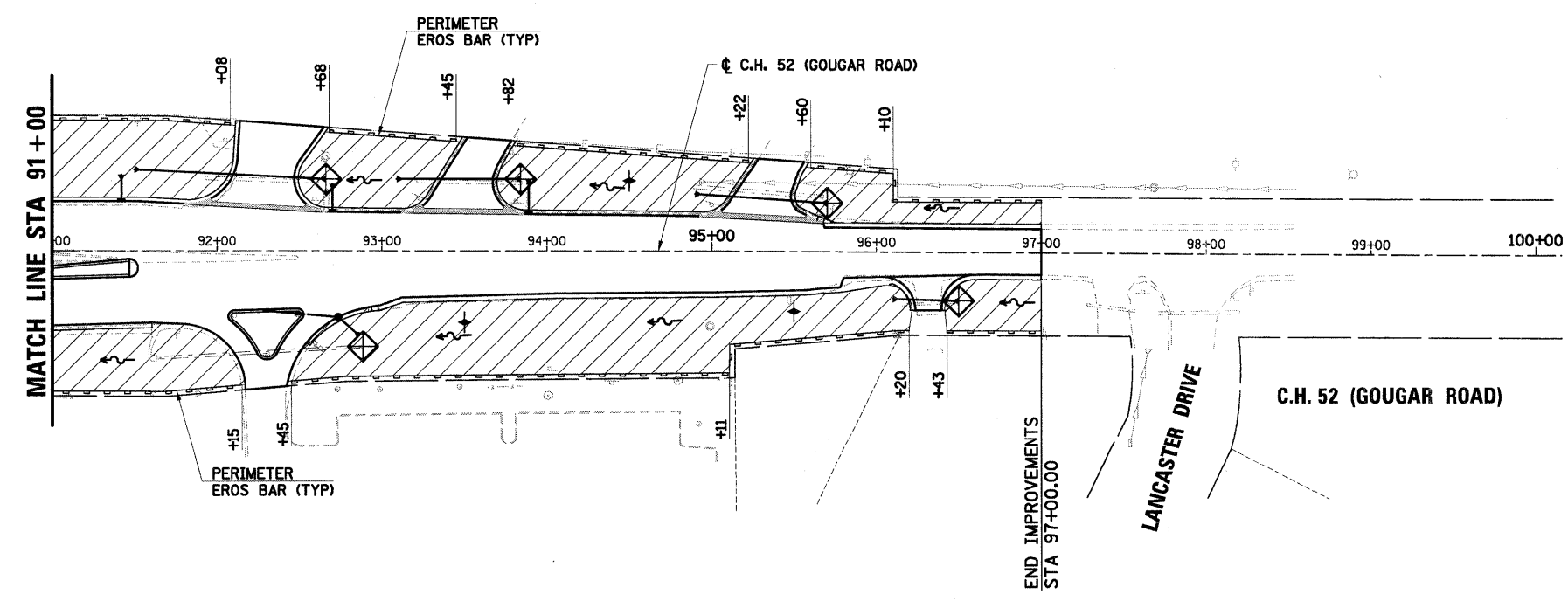


- INLET FILTERS**
- STA 80+54.26, 17.5' LT
 - STA 80+56, 23.8' RT
 - STA 80+62, 24.1' RT
 - STA 80+65.30, 17.4' LT
 - STA 81+70, 30.0' RT
 - STA 81+70.90, 17.1' LT
 - STA 82+85, 18.7' LT
 - STA 82+85, 34.5' RT
 - STA 84+80, 21.5' LT
 - STA 84+80, 34.5' RT
 - STA 87+82.09, 33.3' RT
 - STA 87+95.43, 12.2' RT
 - STA 88+06.71, 46.5' RT
 - STA 88+50.70, 55.0' LT
 - STA 90+00, 29.5' LT
 - STA 91+42, 29.5' LT
 - STA 92+30, 35.3' RT
 - STA 92+70, 23.3' LT
 - STA 92+73.43, 39.8' RT
 - STA 93+89, 21.8' LT

- INLET AND PIPE PROTECTION**
- STA 82+50, 67.0' RT
 - STA 89+01, 52.4' LT
 - STA 92+66, 43.0' LT
 - STA 92+88.35, 58.0' RT
 - STA 93+84, 43.0' LT
 - STA 95+70, 29.0' LT
 - STA 96+50, 29.0' RT

- DITCH CHECK**
- STA 79+75, 68.0' RT - 14'
 - STA 81+00, 65.0' RT - 14'
 - STA 88+00, 95.0' RT - 14'
 - STA 90+50, 52.0' LT - 14'
 - STA 90+50, 66.0' RT - 14'
 - STA 93+50, 43.0' RT - 14'
 - STA 94+50, 42.0' LT - 14'
 - STA 95+50, 36.0' RT - 14'



LEGEND

	EXISTING RIGHT-OF-WAY
	PROPOSED SEEDING CLASS 2A

SEC Group, Inc. 11/8/2011 11:58 AM
 323 Alpha Drive
 New Lenox, Illinois 60451
 C: 815.462.2024 F: 815.462.2028
 www.secgroupinc.com
 441 Henry St., Northbrook, IL 60062

SEC Group, Inc.
 An HFI Group Company
 323 Alpha Drive
 New Lenox, Illinois 60451
 C: 815.462.2024 F: 815.462.2028
 www.secgroupinc.com
 441 Henry St., Northbrook, IL 60062

USER NAME = RBest	DESIGNED - BDC	REVISED -
PLOT SCALE = 1" = 50'	DRAWN - RCB	REVISED -
PLOT DATE = 11/8/2011	CHECKED - APS	REVISED -
	DATE - 11/8/11	REVISED -

**ILLINOIS DEPARTMENT OF TRANSPORTATION
 PROPOSED ROADWAY IMPROVEMENTS
 C.H. 52 (GOUGAR ROAD) AT U.S. ROUTE 30**

EROSION CONTROL PLAN

SCALE: 1" = 50' SHEET NO. OF SHEETS STA. TO STA.

F.A.U. RTE.	SECTION NO.	COUNTY	TOTAL SHEETS	SHEET NO.
367	07-00154-11-TL	WILL	70	25
CONTRACT NO. 63597				
FED. ROAD DIST. NO. [ILLINOIS] FED. AID PROJECT				