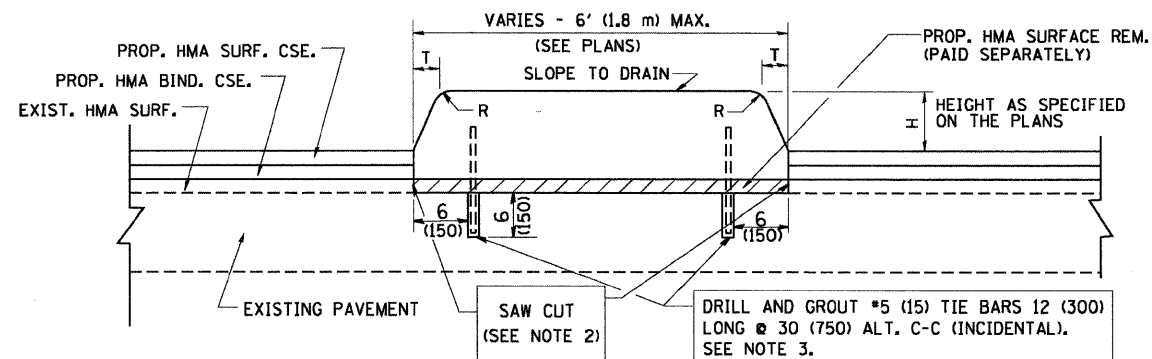


- NOTES:
1. CORRUGATED MEDIAN (MODIFIED) SHALL BE CONSTRUCTED IN ACCORDANCE WITH SECTION 606 OF THE STANDARD SPECIFICATIONS AND THE APPLICABLE PORTIONS OF STATE STANDARD 606306.
 2. WITH THE APPROVAL OF THE ENGINEER, THE CONTRACTOR MAY DELETE THE SAW CUT IF A NEAT JOINT CAN BE OBTAINED BY MILLING THE HMA SURFACE TO BE REMOVED. SAW CUT WILL BE INCLUDED IN THE COST OF CORRUGATED MEDIAN (MODIFIED)
 3. PAVEMENT FABRIC WILL BE INCLUDED IN THE COST OF CORRUGATED MEDIAN (MODIFIED)

DETAILS FOR CORRUGATED MEDIAN (MODIFIED)

THIS WORK WILL BE PAID FOR AT THE CONTRACT UNIT PRICE PER SQUARE FOOT (SQUARE METER) FOR "CORRUGATED MEDIAN (MODIFIED)"



- NOTES:
1. CONCRETE MEDIAN TYPE SB (DOWELLED) SHALL BE CONSTRUCTED IN ACCORDANCE WITH THE APPLICABLE PORTIONS OF STATE STANDARD 606301 AND SECTION 606 OF THE STANDARD SPECIFICATIONS.
 2. WITH THE APPROVAL OF THE ENGINEER, THE CONTRACTOR MAY DELETE THE SAW CUT IF A NEAT JOINT CAN BE OBTAINED BY MILLING THE HMA SURFACE TO BE REMOVED. SAW CUT WILL BE INCLUDED IN THE COST OF "CONCRETE MEDIAN TYPE SB (DOWELLED)"
 3. FOR MEDIAN WIDTH LESS THAN 4' (1.2 m) USE ONE ROW OF #5 (15) BARS @ 30 (750) C-C ALONG THE MEDIAN CENTERLINE. TIE BARS WILL BE INCLUDED IN THE COST OF "CONCRETE MEDIAN TYPE SB (DOWELLED)"

DETAILS FOR CONCRETE MEDIAN TYPE SB (DOWELLED)

THIS WORK WILL BE PAID FOR AT THE CONTRACT UNIT PRICE PER SQUARE FOOT (SQUARE METER) FOR "CONCRETE MEDIAN, TYPE SB-6.12"

H	R	T
6(150)	1(25)	1(25)
9(225)	1(25)	2(50)

ALL DIMENSIONS ARE IN INCHES (MILLIMETERS) UNLESS OTHERWISE SHOWN.

FILE NAME = W:\distatd\22x34\bd05.dgn
 USER NAME = geglianobt
 DESIGNED - M. DE YONG
 DRAWN - R. SHAH 10-25-94
 CHECKED - E. GOMEZ 08-28-00
 DATE - 05-14-90
 PLOT SCALE = 50.0000' / IN.
 PLOT DATE = 1/4/2008
 REVISIONS:
 REVISED - R. SHAH 09-09-94
 REVISED - R. SHAH 10-25-94
 REVISED - E. GOMEZ 08-28-00
 REVISED - R. BORO 01-01-07

FILE NAME = W:\distatd\22x34\bd05.dgn

USER NAME = geglianobt

DESIGNED - M. DE YONG
 DRAWN - R. SHAH 10-25-94
 CHECKED - E. GOMEZ 08-28-00
 DATE - 05-14-90

REVISED - R. SHAH 09-09-94
 REVISED - R. SHAH 10-25-94
 REVISED - E. GOMEZ 08-28-00
 REVISED - R. BORO 01-01-07

**STATE OF ILLINOIS
 DEPARTMENT OF TRANSPORTATION**

**DETAILS FOR CONCRETE MEDIAN TYPE SB (DOWELLED)
 CORRUGATED MEDIAN (MODIFIED)**

SCALE: NONE SHEET NO. 1 OF 1 SHEETS STA. TO STA.

F.A. RTE.	SECTION	COUNTY	TOTAL SHEETS	SHEET NO.
367	07-00154-11-TL	WILL	70	49
BD600-02 (BD-5)		CONTRACT NO. 63597		
FED. ROAD DIST. NO. 1 ILLINOIS FED. AID PROJECT				