

**WEST CURB LINE OF APPROACH PAVEMENT**

Location	Station	Offset	Theoretical Grade Elevations
End S. App. Pvmt.	08+81.89	-15.42	535.22
A	08+91.89	-15.42	534.95
B	09+01.89	-15.42	534.66
Bk S. Abutment	09+11.89	-15.42	534.36

**WEST EDGE OF ROADWAY PAVEMENT**

Location	Station	Offset	Theoretical Grade Elevations
End S. App. Pvmt.	08+83.86	-12.00	535.24
A	08+93.86	-12.00	534.96
B	09+03.86	-12.00	534.67
Bk S. Abutment	09+13.86	-12.00	534.37

**☉ ROADWAY & PROFILE GRADE**

Location	Station	Offset	Theoretical Grade Elevations
End S. App. Pvmt.	08+90.79	0.00	535.24
A	09+00.79	0.00	534.95
B	09+10.79	0.00	534.65
Bk S. Abutment	09+20.79	0.00	534.35

**EAST EDGE OF ROADWAY PAVEMENT**

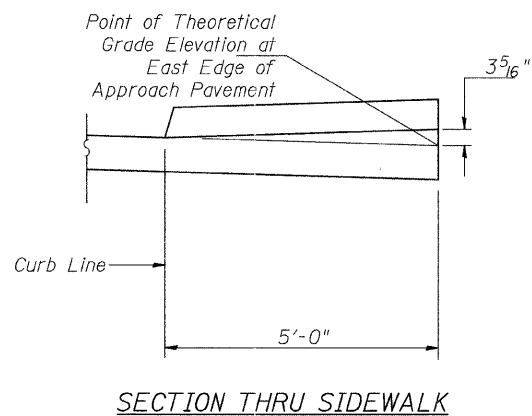
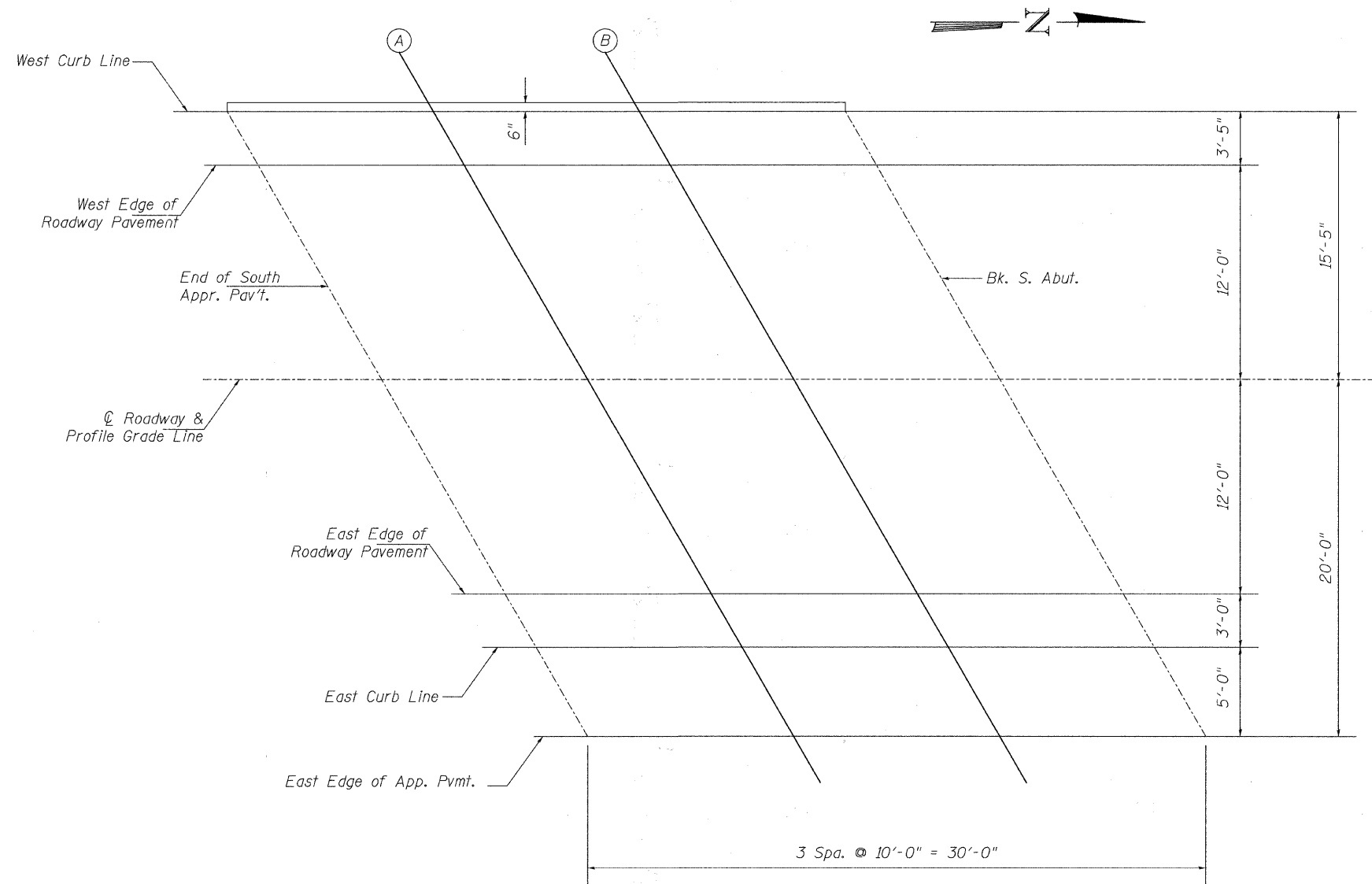
Location	Station	Offset	Theoretical Grade Elevations
End S. App. Pvmt.	08+97.72	12.00	534.85
A	09+07.72	12.00	534.55
B	09+17.72	12.00	534.26
Bk S. Abutment	09+27.72	12.00	533.96

**EAST CURB LINE OF APPROACH PAVEMENT**

Location	Station	Offset	Theoretical Grade Elevations
End S. App. Pvmt.	08+99.45	15.00	534.74
A	09+09.45	15.00	534.44
B	09+19.45	15.00	534.14
Bk S. Abutment	09+29.45	15.00	533.85

**EAST EDGE OF APPROACH PAVEMENT**

Location	Station	Offset	Theoretical Grade Elevations
End S. App. Pvmt.	09+02.34	20.00	534.55
A	09+12.34	20.00	534.25
B	09+22.34	20.00	533.95
Bk S. Abutment	09+32.34	20.00	533.66



**PLAN SOUTH APPROACH PAVEMENT**

**TOP OF SOUTH APPROACH PAVEMENT ELEVATIONS  
JOLIET STREET (TR 851) OVER HICKORY CREEK  
SECTION 07-10117-00-BR  
WILL COUNTY  
STATION 9+97.55**

SHEET NO. 5	RTE. NO.	SECTION	COUNTY	TOTAL SHEETS	SHEET NO.
26 SHEETS	TR 851	07-10117-00-BR	WILL	36	13
S.N. 099-3290			CONTRACT NO. 63642		
FED. ROAD DIST. NO. 7 ILLINOIS			FED. AID PROJECT BRS-		