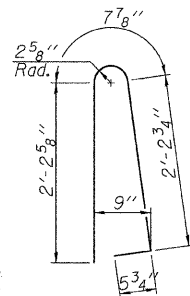
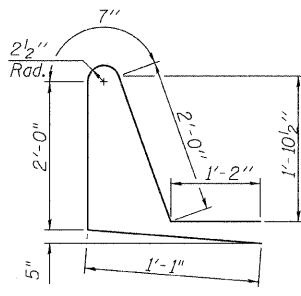


PLAN DETAIL FOR SCUPPER

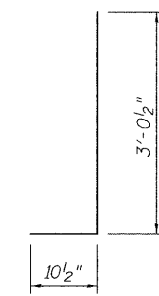
Note:
Cut longitudinal reinforcement to clear drainage scuppers.



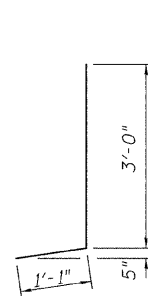
BAR d(E)



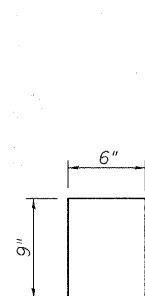
BAR d1(E)



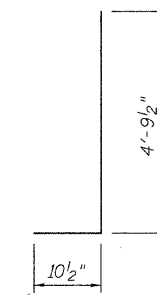
BAR d2(E)



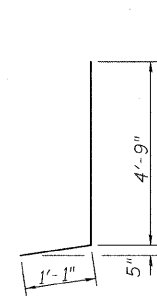
BAR d3(E)



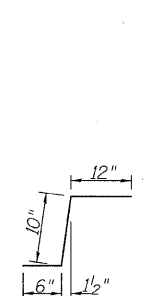
BAR d4(E)



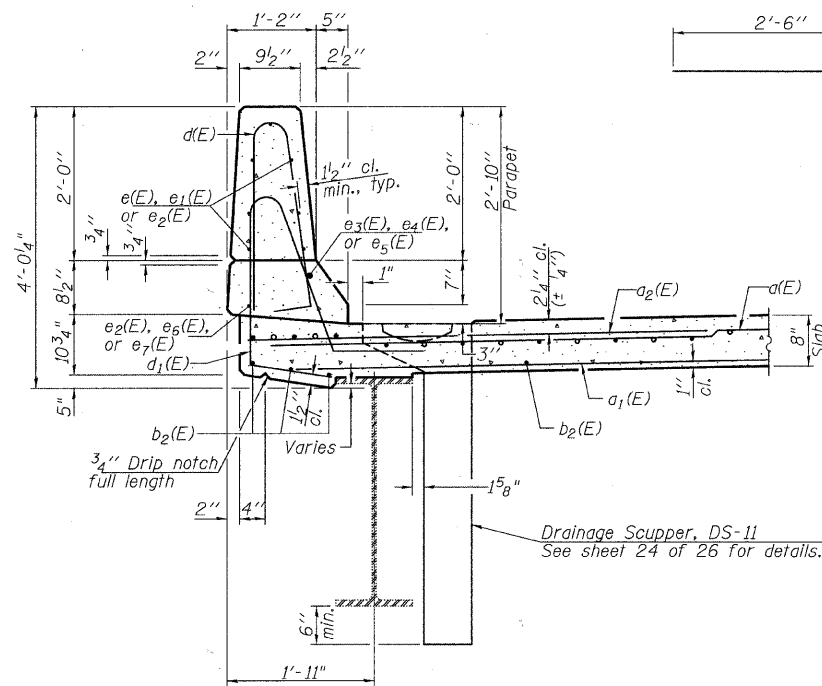
BAR d5(E)



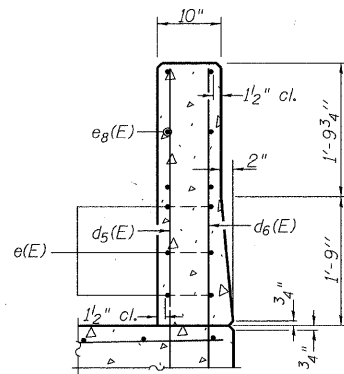
BAR d6(E)



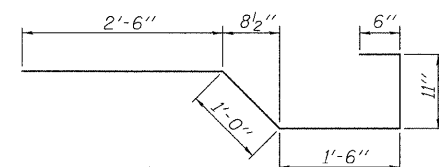
BAR c(E)



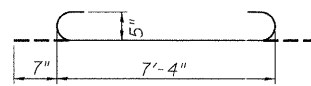
SECTION THRU PARAPET
(Looking North)



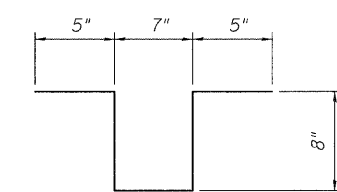
SECTION THRU ENDS
OF EAST PARAPET



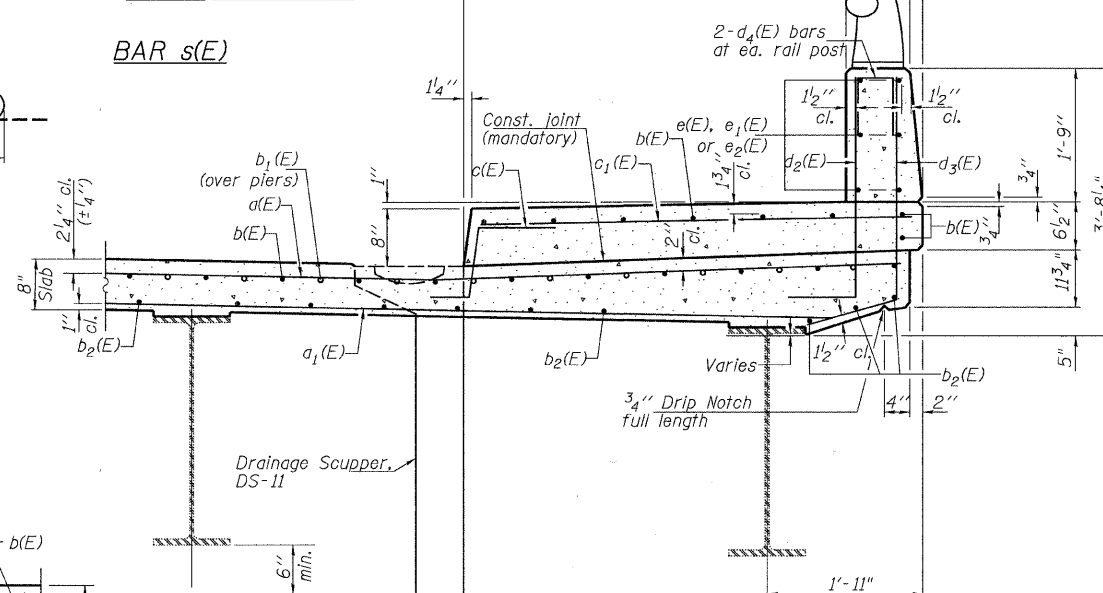
BAR x(E)



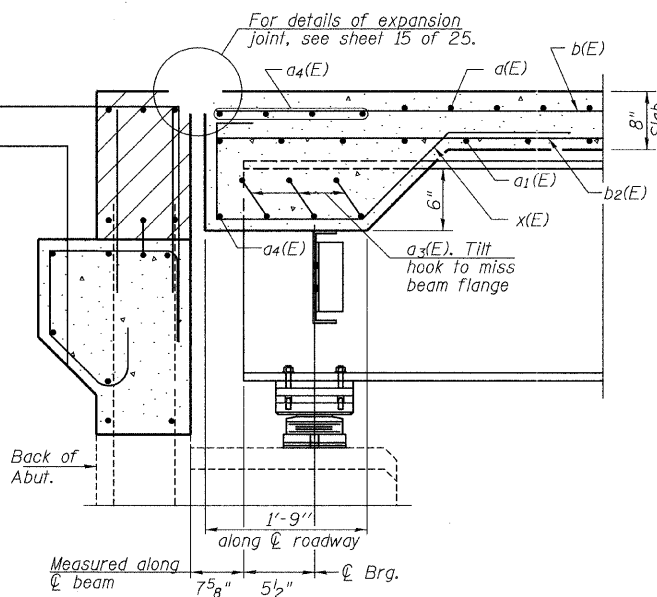
a3(E) BAR



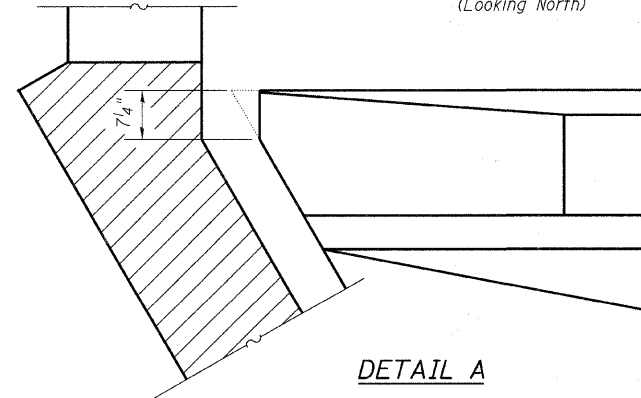
BAR s(E)



SECTION THRU SIDEWALK
(Looking North)



SECTION A-A



DETAIL A

SUPERSTRUCTURE
BILL OF MATERIAL

Bar	No.	Size	Length	Shape
a(E)	301	#5	37'-0"	—
a1(E)	181	#5	36'-0"	—
a2(E)	151	#6	6'-6"	—
a3(E)	30	#5	8'-6"	—
a4(E)	10	#5	42'-8"	—
a5(E)	16	#5	1'-6"	—
b(E)	235	#5	32'-2"	—
b1(E)	74	#6	31'-2"	—
b2(E)	216	#5	27'-3"	—
b3(E)	12	#4	30'-0"	—
b4(E)	2	#4	15'-0"	—
c(E)	152	#5	2'-4"	—
c1(E)	152	#5	5'-6"	—
d(E)	166	#5	5'-7"	—
d1(E)	166	#5	6'-10"	—
d2(E)	144	#6	3'-11"	—
d3(E)	144	#4	4'-1"	—
d4(E)	34	#4	2'-0"	—
d5(E)	10	#6	5'-8"	—
d6(E)	10	#4	5'-10"	—
e(E)	52	#4	19'-0"	—
e1(E)	39	#4	14'-1"	—
e2(E)	56	#4	7'-5"	—
e3(E)	4	#8	21'-10"	—
e4(E)	2	#8	24'-0"	—
e5(E)	4	#8	7'-5"	—
e6(E)	4	#4	20'-3"	—
e7(E)	2	#4	22'-5"	—
e8(E)	12	#4	3'-9"	—
s(E)	180	#4	2'-9"	—
x(E)	60	#5	6'-5"	—
Reinforcement Bars, Epoxy Coated			Pound	45,760
Concrete Superstructure			Cu. Yds.	203.7

Bars indicated thus 1 x 5-#5 etc. indicates 1 line of bars with 5 lengths per line.

SUPERSTRUCTURE DETAILS
JOLIET STREET (TR 851) OVER HICKORY CREEK
SECTION 07-10117-00-BR
WILL COUNTY
STATION 9+97.55

SHEET NO. 9 26 SHEETS	RTE. NO. TR 851	SECTION 07-10117-00-BR	COUNTY WILL	TOTAL SHEETS 36	SHEET NO. 17
	S.N. 099-3290		CONTRACT NO. 63642		
	FED. ROAD DIST. NO. 7 ILLINOIS		FED. AID PROJECT BRS-		