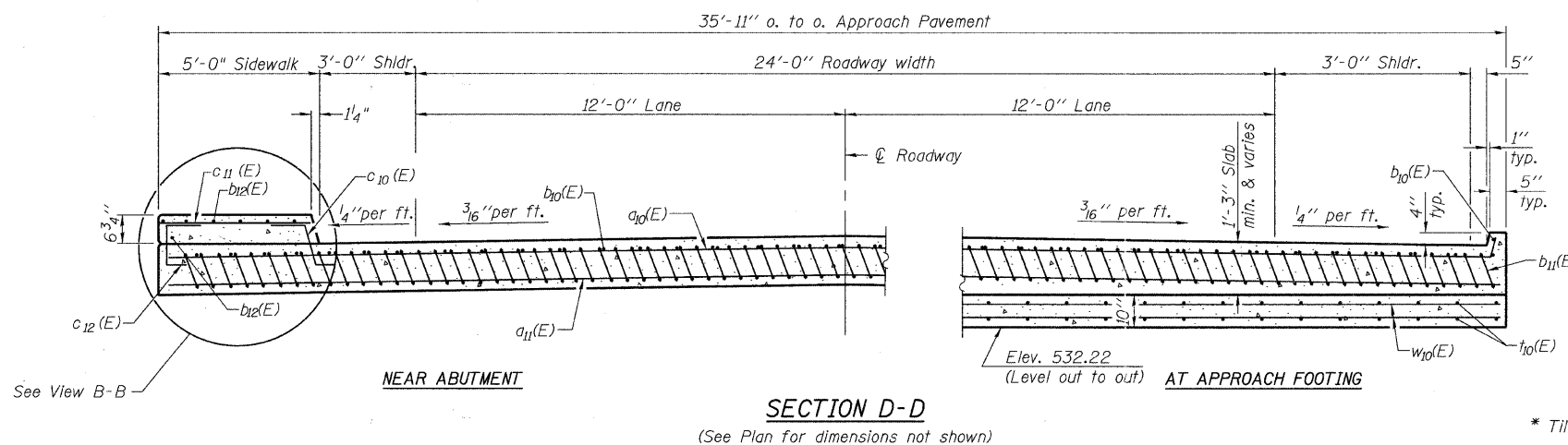


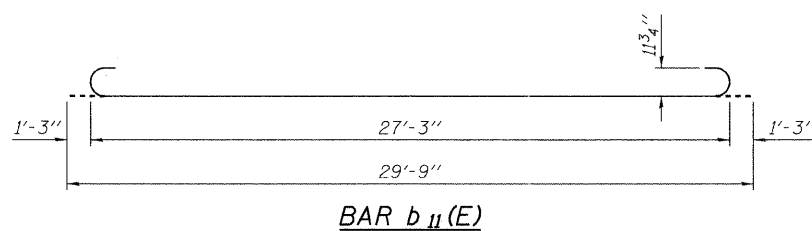
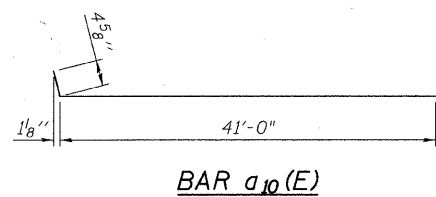
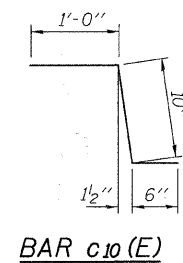
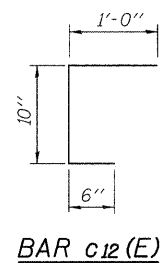
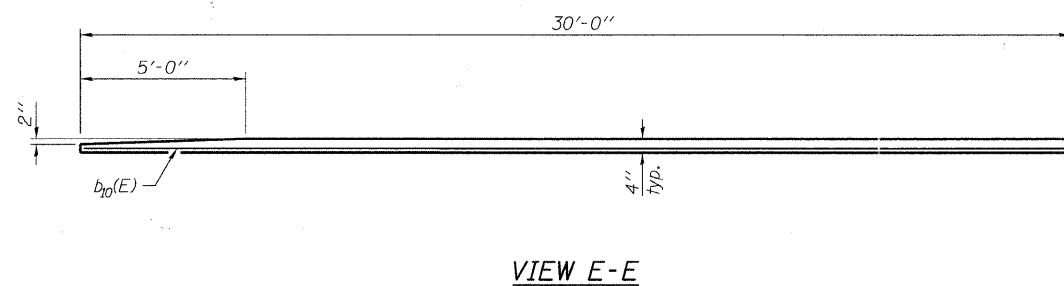
Notes:
 See sheet 10 of 26 for Detail A and View B-B.
 Approach slab concrete shall be paid for as Concrete Superstructure.
 Approach footing concrete shall be paid for as Concrete Structures.
 For v(E) bar details, see sheet 21 of 26.
 The approach footing maximum applied service bearing pressure (Qmax) = 2.0 ksf.
 For bar splicer details, see sheet 25 of 26.
 Cost of excavation for approach footing included with Concrete Structures.
 For Porous Granular Embankment (Special) and drainage treatment details, see sheet 2 of 26.



****SOUTH APPROACH SLAB
 BILL OF MATERIAL**

Bar	No.	Size	Length	Shape
a ₁₀ (E)	25	#4	41'-5"	—
a ₁₁ (E)	46	#5	41'-2"	—
b ₁₀ (E)	30	#4	29'-8"	—
b ₁₁ (E)	86	#9	29'-9"	—
b ₁₂ (E)	7	#5	30'-10"	—
c ₁₀ (E)	32	#5	2'-4"	⌒
c ₁₁ (E)	32	#5	4'-9"	—
c ₁₂ (E)	32	#5	2'-4"	⌒
t ₁₀ (E)	74	#4	11'-3"	—
w ₁₀ (E)	40	#5	41'-2"	—
Concrete Superstructure			Cu. Yd.	63.6
Concrete Structures			Cu. Yd.	12.8
Reinforcement Bars, Epoxy Coated			Pound	14,770

* Tilt #9 b₁₁(E) bars as required to maintain clearance.
 *** Cost included with Concrete Superstructure.



**SOUTH BRIDGE APPROACH SLAB DETAILS
 JOLIET STREET (TR 85) OVER HICKORY CREEK
 SECTION 07-10117-00-BR
 WILL COUNTY
 STATION 9+97.55**

SHEET NO. 11 26 SHEETS	RTE. NO. TR 851	SECTION 07-10117-00-BR	COUNTY WILL	TOTAL SHEETS 36	SHEET NO. 19
	S.N. 099-3290		CONTRACT NO. 63642		
	FED. ROAD DIST. NO. 7 ILLINOIS		FED. AID PROJECT BRS-		