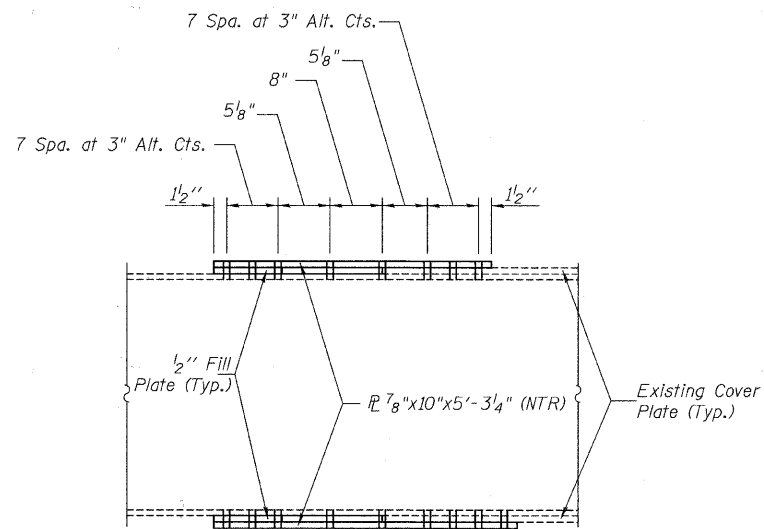
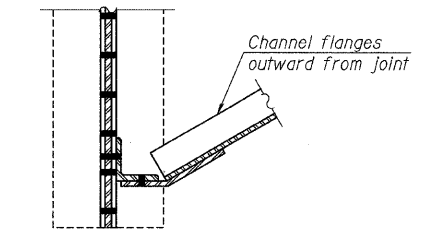
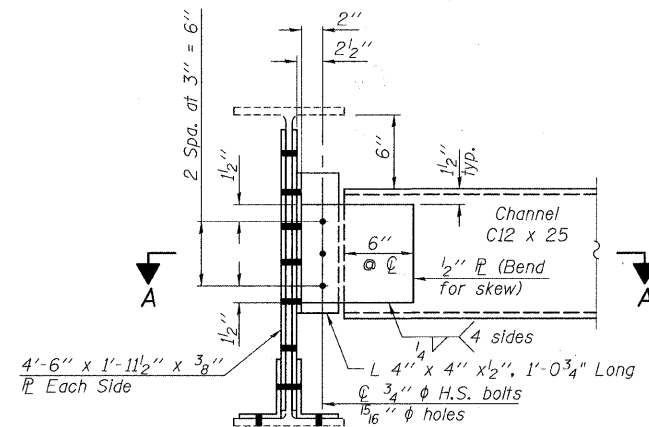


PLAN VIEW



ELEVATION

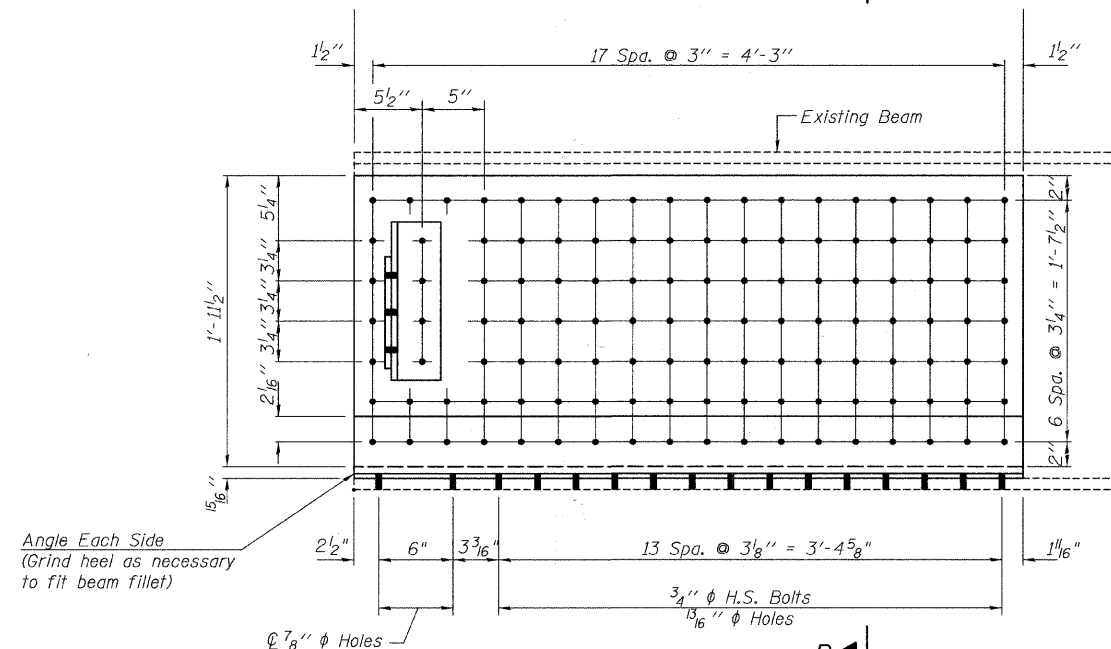
**DETAIL B
COVER PLATE REPAIR DETAIL**
(48 Required)



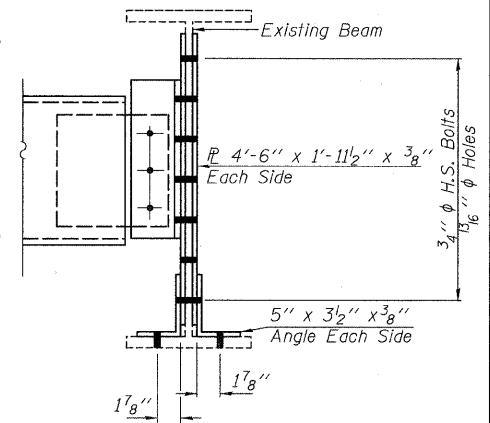
SECTION A-A

DI DIAPHRAGM CONNECTIONS

Note:
Two hardened washers required
for each set of oversized holes.



BEAM WEB REPAIR DETAIL



SECTION B-B

Notes:
Load carrying components designated "NTR" shall conform to the Supplemental Requirements for Notch Toughness, Zone 2.
All steel required for beam web repairs & cover plate repairs is paid for as Furnishing and Erecting Structural Steel.

STEEL REPAIR DETAILS
JOLIET STREET (TR 85) OVER HICKORY CREEK
SECTION 07-10117-00-BR
WILL COUNTY
STATION 9+97.55

| | | | | | |
|--------------------------------|--------------------|---------------------------|-----------------------|--------------------|-----------------|
| SHEET NO. 17 26 SHEETS | RTE. NO. TR 851 | SECTION 07-10117-00-BR | COUNTY WILL | TOTAL SHEETS 36 | SHEET NO. 25 |
| | S.N. 099-3290 | | CONTRACT NO. 63642 | | |
| FED. ROAD DIST. NO. 7 ILLINOIS | | | FED. AID PROJECT BRS- | | |