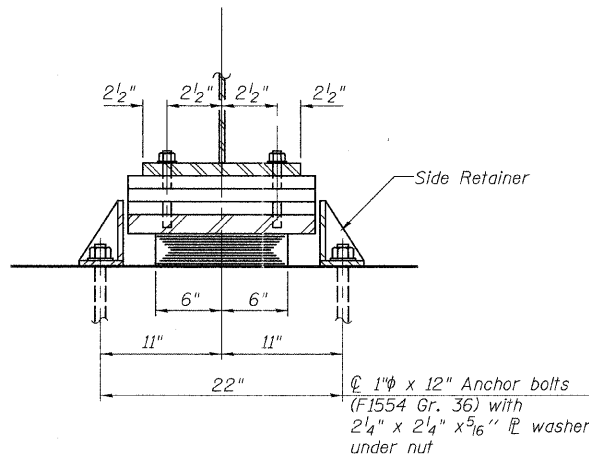
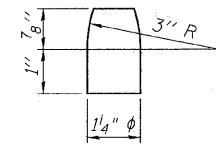


ELEVATION AT ABUT.



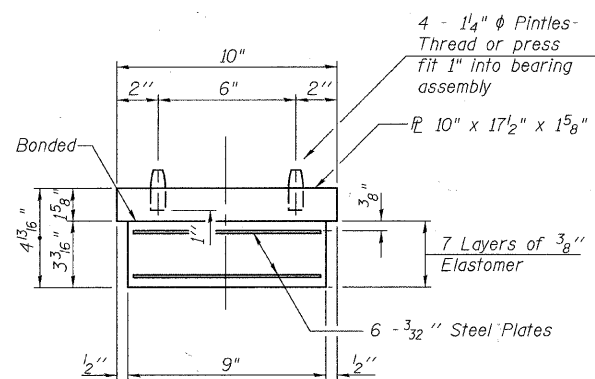
SECTION C-C

TYPE I ELASTOMERIC EXP. BRG.
 AT S. ABUTMENT



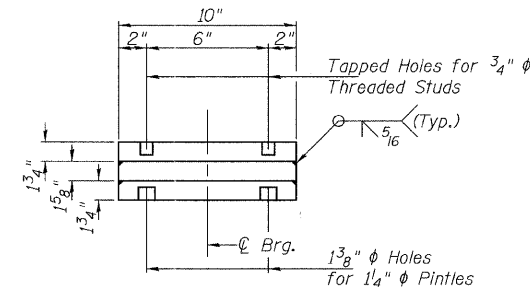
PINTLE
 (Gr. 50)

S. ABUT. SHIMPLATE TABLE	
Beam No.	Thickness
1	$\frac{5}{8}$ "
2	$\frac{3}{4}$ "
3	-
4	$\frac{1}{4}$ "
5	$\frac{1}{2}$ "
6	$\frac{5}{8}$ "

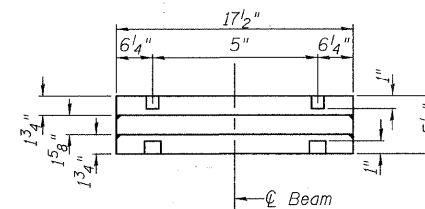


BEARING ASSEMBLY

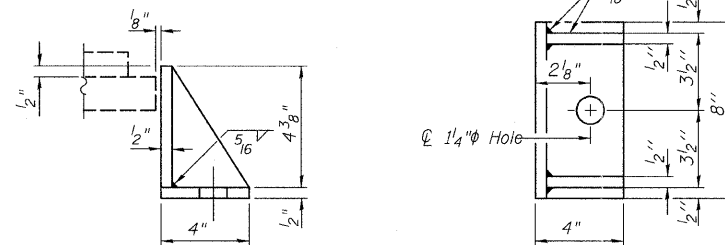
Note:
 Shim plates shall not be placed
 under Bearing Assembly.



ELEVATION STEEL EXTENSION

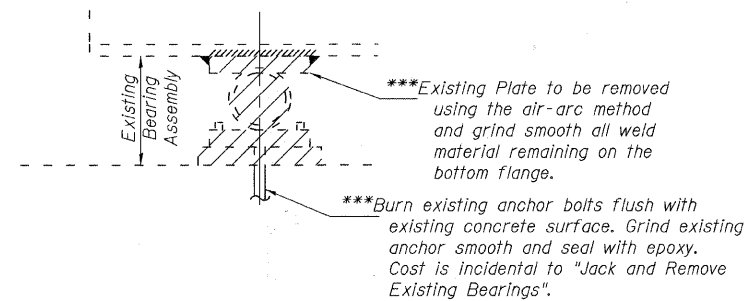


END VIEW STEEL EXTENSION



SIDE RETAINER TYPE I

Equivalent rolled angle with stiffeners
 will be allowed in lieu of welded plates.



EXISTING BEARING REMOVAL DETAIL

*** Cost is included in Jack and
 Remove Existing Bearings.

BILL OF MATERIAL

Item	Unit	Total
Elastomeric Bearing Assembly Type I	Each	6
Anchor Bolts, 1"	Each	12
Jack and Remove Existing Bearings	Each	6

SOUTH ABUTMENT BEARING DETAILS
 JOLIET STREET (TR 85) OVER HICKORY CREEK
 SECTION 07-10117-00-BR
 WILL COUNTY
 STATION 9+97.55

SHEET NO. 18	RTE. NO.	SECTION	COUNTY	TOTAL SHEETS	SHEET NO.
	TR 851	07-10117-00-BR	WILL	36	26
26 SHEETS	S.N. 099-3290		CONTRACT NO. 63642		
FED. ROAD DIST. NO. 7 ILLINOIS			FED. AID PROJECT BR5-		