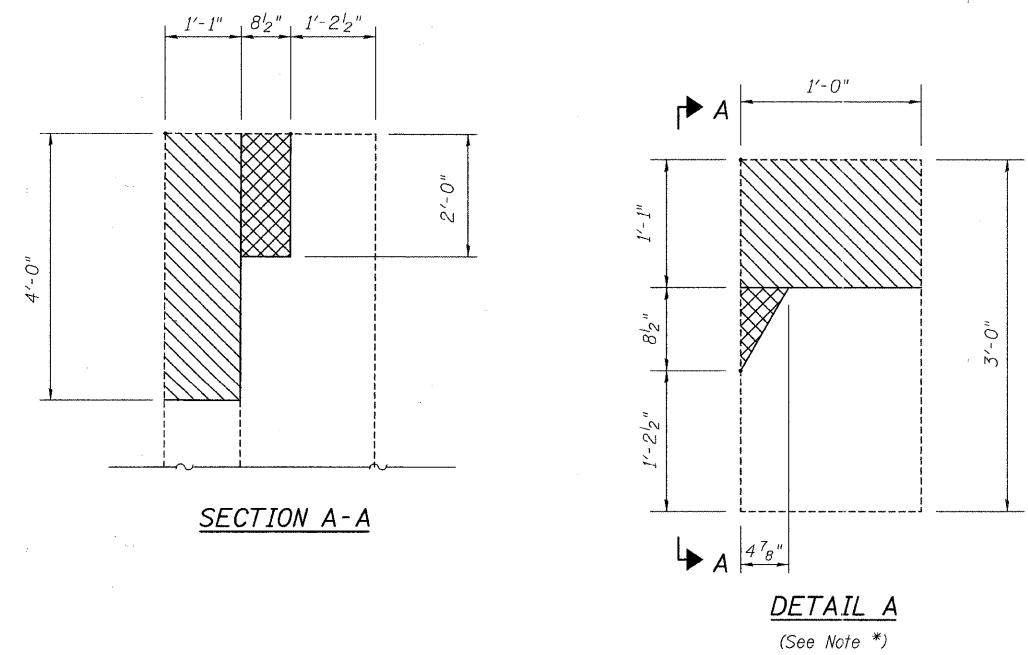


** Cut existing reinforcement in backwall 2'-6" above level concrete cut.

Notes:
 Existing reinforcement shall be cleaned and incorporated into the new construction. Cost included with Concrete Removal.
 Hatched area indicates Concrete Removal.



* Existing rebar in this section is to be burned flush with existing concrete surface. Grind existing rebar smooth and seal with epoxy. Cost included with Concrete Removal.

BILL OF MATERIAL

Item	Unit	Quantity
Concrete Removal	Cu. Yd.	5.7

NORTH ABUTMENT CONCRETE REMOVAL
JOLIET STREET (TR 85) OVER HICKORY CREEK
SECTION 07-10117-00-BR
WILL COUNTY
STATION 9+97.55

SHEET NO. 22	RTE. NO.	SECTION	COUNTY	TOTAL SHEETS	SHEET NO.
26 SHEETS	TR 851	07-10117-00-BR	WILL	36	30
S.N. 099-3290			CONTRACT NO. 63642		
FED. ROAD DIST. NO. 7 ILLINOIS			FED. AID PROJECT BRS-		