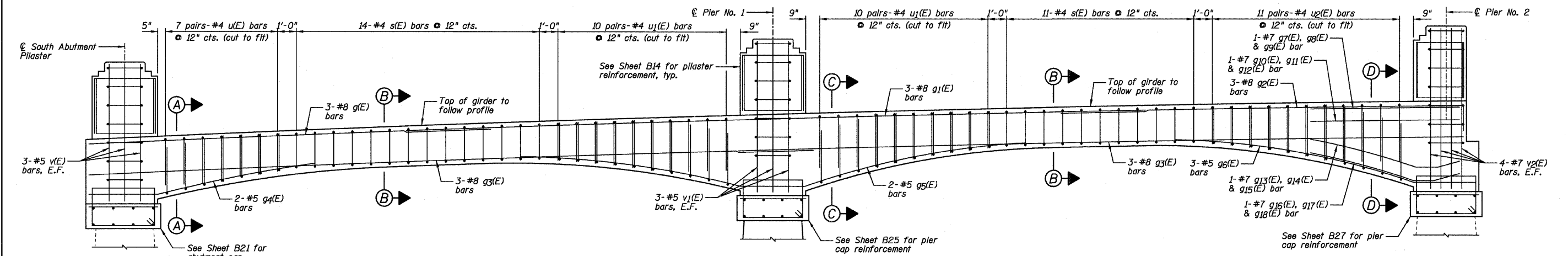


**GIRDER ELEVATION**  
(Showing dimensions)  
\* Elevation adjusted for deadload deflection.



**GIRDER ELEVATION**  
(Showing reinforcement)

MIN. BAR LAP	
#7	5'-10"
#8	4'-0"
#8	4'-6"

\* Class A top bar

- NOTES:**
- See Sheet B12 for Sections A-A thru D-D.
  - See Sheet B14 for Superstructure Details and Bill of Material.

**Farnsworth**  
GROUP, INC.  
2709 McGraw Drive  
Bloomington, Illinois 61704  
309/663-8435, 309/663-1571 fax

DESIGNED - JML/JCZ	REVISED
CHECKED - JML	REVISED
DRAWN - DJM	REVISED
CHECKED - MSW	REVISED
DATE - 10/17/11	

**GENEVA PARK DISTRICT**  
**GENEVA, ILLINOIS**

**SUPERSTRUCTURE GIRDERS**  
**ISLAND PARK NORTH BRIDGE**

SHEET NO. 88 OF 31 SHEETS

F.A. RTE.	SECTION	COUNTY	TOTAL SHEETS	SHEET NO.
N/A	06-P4005-00-BR	KANE	42	17
				CONTRACT NO. 63643
ILLINOIS FED. AID PROJECT				