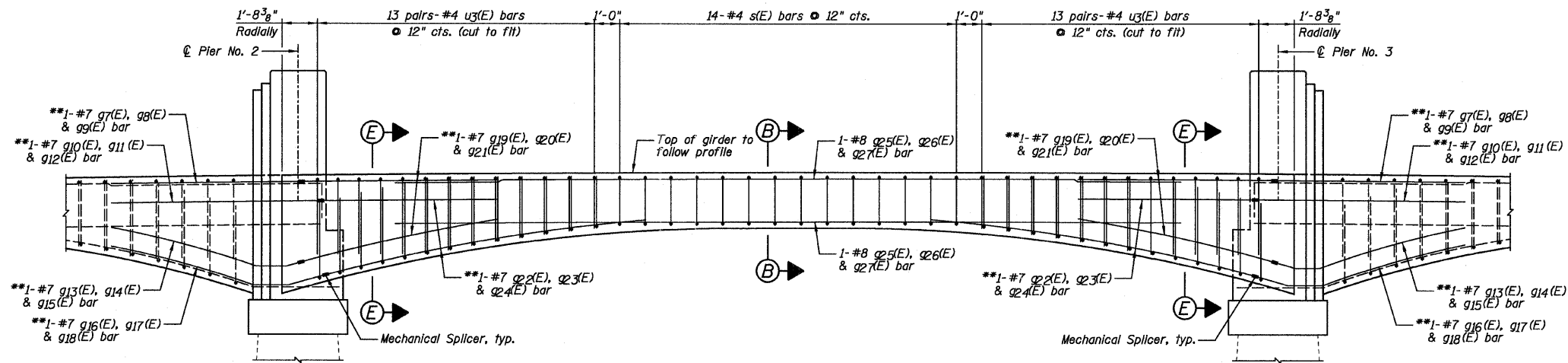


GIRDER ELEVATION
(Showing dimensions)
* Elevation adjusted for deadload deflection.



GIRDER ELEVATION
(Showing reinforcement)
** Reinforcement bars mechanically spliced together.

MIN. BAR LAP	
#7	5'-10"
#8	4'-6"

- NOTES:**
- 1.) See Sheet B12 for Sections B-B and E-E.
 - 2.) See Sheet B14 for Superstructure Details and Bill of Material.
 - 3.) See Sheet B29 for Mechanical Splicer Details.

Farnsworth
GROUP, INC.
2709 McGraw Drive
Bloomington, Illinois 61704
309/663-8435, 309/663-1571 fax

DESIGNED - JML/JCZ	REVISED
CHECKED - JML	REVISED
DRAWN - DJM	REVISED
CHECKED - MSW	REVISED
DATE - 10/17/11	

GENEVA PARK DISTRICT
GENEVA, ILLINOIS

SUPERSTRUCTURE GIRDERS
ISLAND PARK NORTH BRIDGE

SHEET NO. B9 OF 31 SHEETS

F.A. RTE.	SECTION	COUNTY	TOTAL SHEETS	SHEET NO.
N/A	06-P4005-00-BR	KANE	42	18
CONTRACT NO. 63643				
ILLINOIS FED. AID PROJECT				