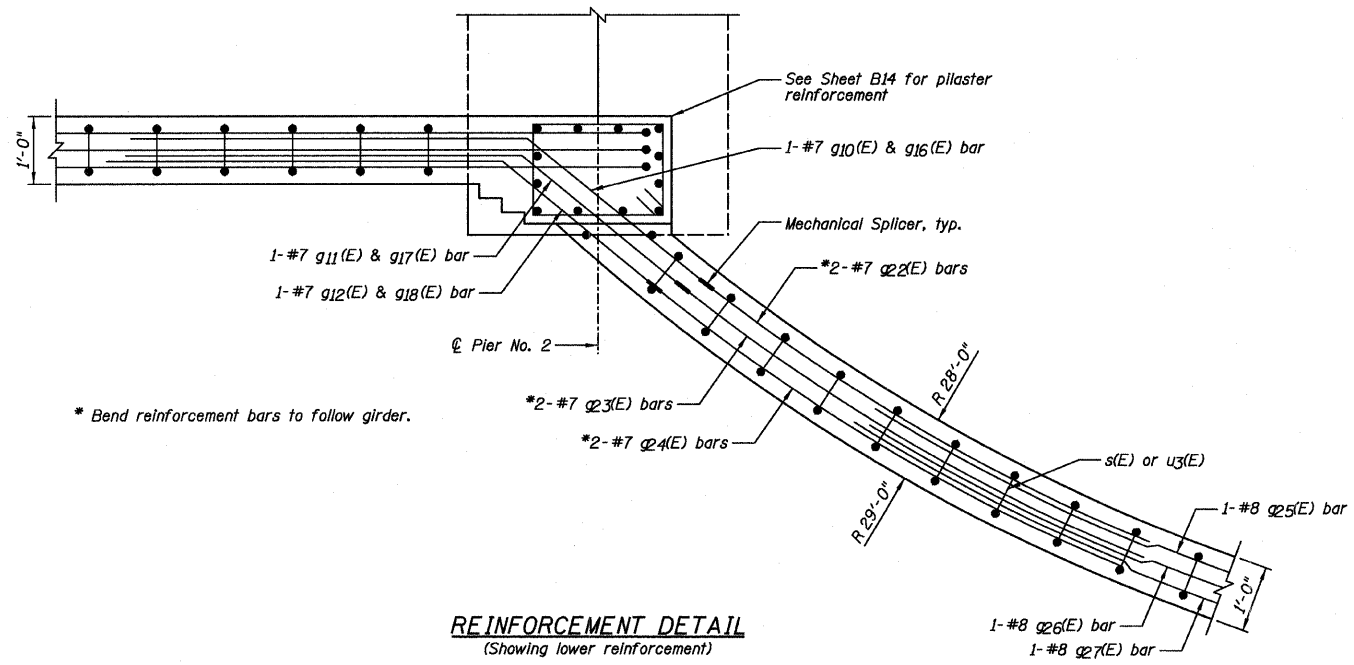
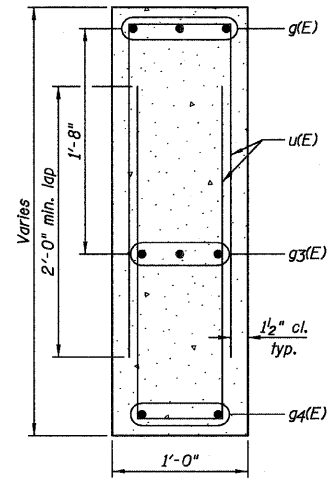


REINFORCEMENT DETAIL
 (Showing upper reinforcement)

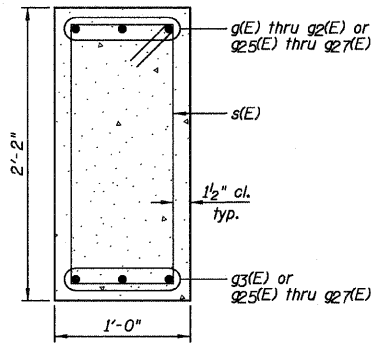
MIN. BAR LAP	
#7	5'-10"
#8	4'-6"



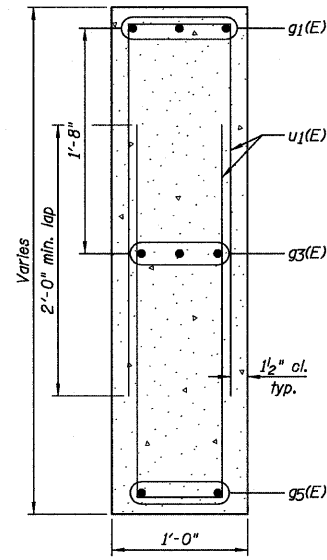
REINFORCEMENT DETAIL
 (Showing lower reinforcement)



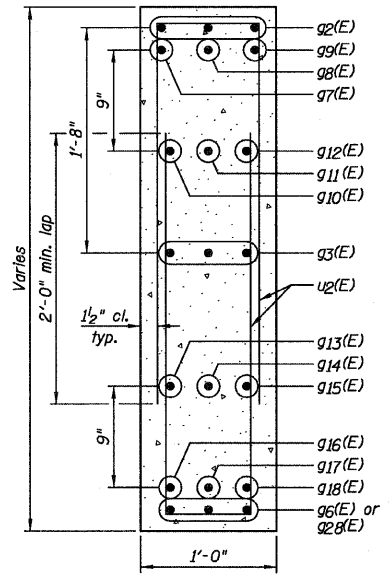
SECTION A-A



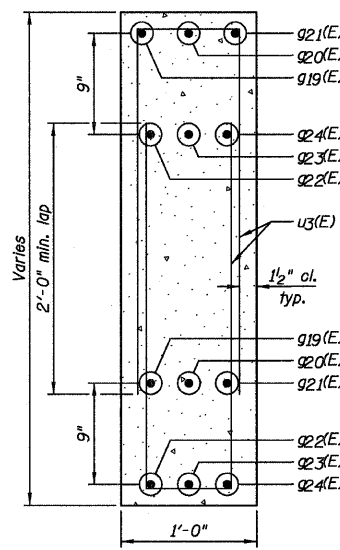
SECTION B-B



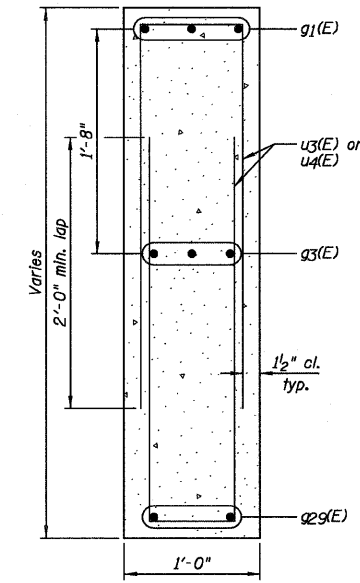
SECTION C-C



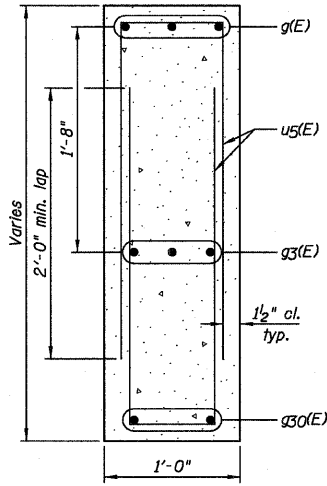
SECTION D-D



SECTION E-E



SECTION F-F



SECTION G-G

NOTES:

- 1.) See Sheets B8, B9 and B11 for locations of Sections A-A thru G-G.
- 2.) See Sheet B14 for Superstructure Details and Bill of Material.
- 3.) See Sheet B29 for Mechanical Splicer Details.



DESIGNED - JML/JCZ	REVIS
CHECKED - JML	REVIS
DRAWN - DJM	REVIS
CHECKED - MSW	REVIS
DATE - 10/17/11	

GENEVA PARK DISTRICT
 GENEVA, ILLINOIS

SUPERSTRUCTURE GIRDERS
 ISLAND PARK NORTH BRIDGE

SHEET NO. B12 OF 31 SHEETS

F.A. RTE.	SECTION	COUNTY	TOTAL SHEETS	SHEET NO.
N/A	06-P4005-00-BR	KANE	42	21
CONTRACT NO. 63643				
ILLINOIS FED. AID PROJECT				