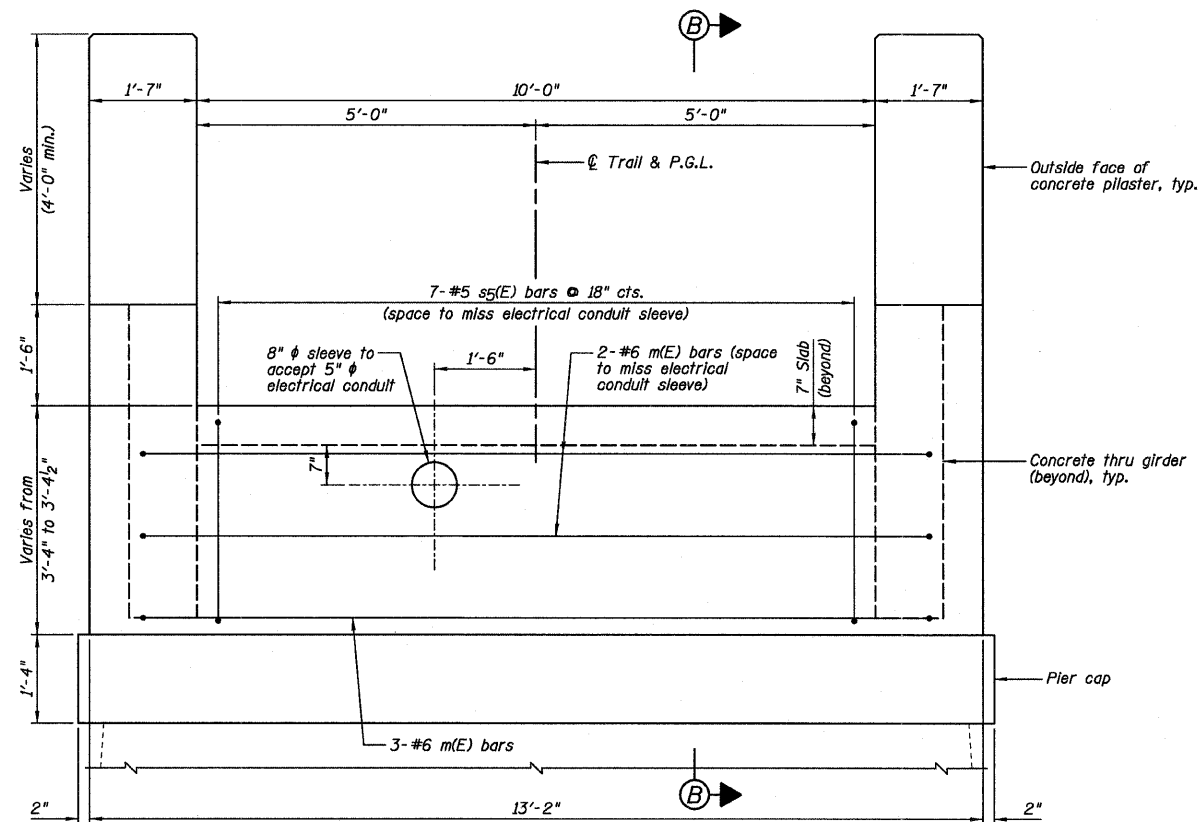


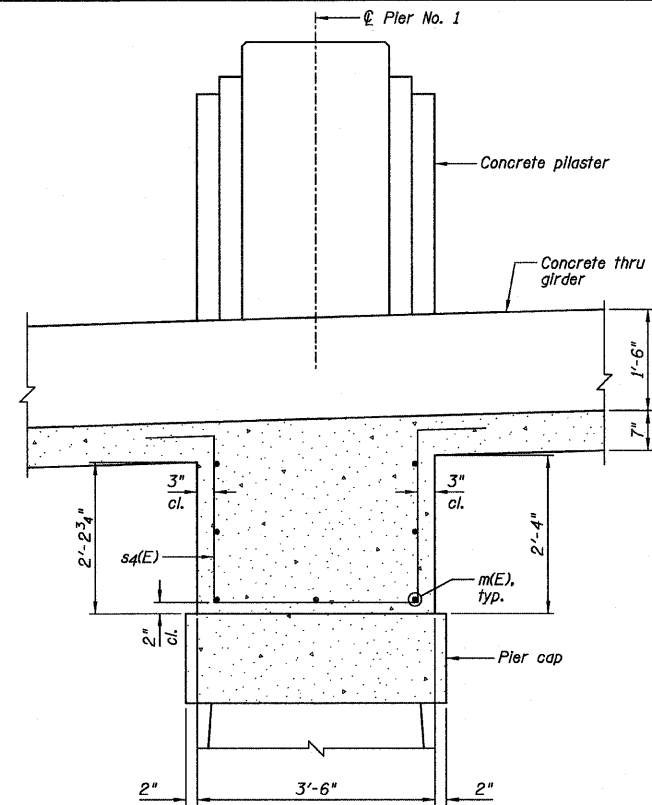
DIAPHRAGM @ PIER NO. 1

(Looking North)
(Slab reinforcement not shown for clarity.)



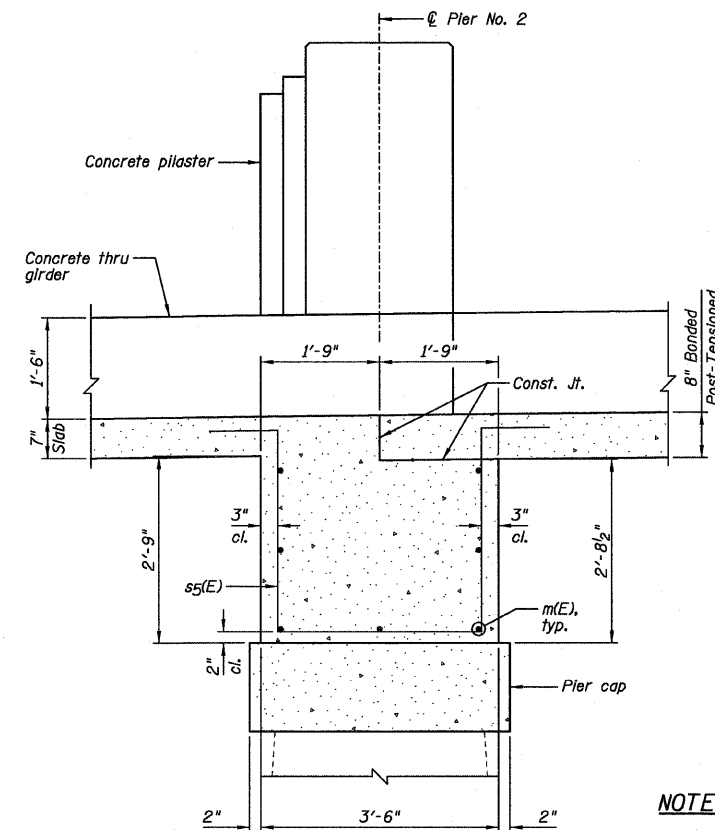
DIAPHRAGM @ PIER NO. 2

(Looking North)
(Slab reinforcement not shown for clarity.)



SECTION A-A

Slab reinforcement not shown for clarity.



SECTION B-B

Slab reinforcement not shown for clarity.

NOTES:

- 1.) See Sheet B14 for Superstructure Details and Bill of Material.
- 2.) 5" electrical conduit to be grouted by others after installation is complete.

Farnsworth
GROUP, INC.
2709 McCreary Drive
Bloomington, Illinois 61704
309/663-8435, 309/663-1574 fax

DESIGNED - JML/JCZ
CHECKED - JML
DRAWN - DJM
DATE - 10/17/11

REVISOR
REVISOR
REVISOR
REVISOR

**GENEVA PARK DISTRICT
GENEVA, ILLINOIS**

**DIAPHRAGM DETAILS
ISLAND PARK NORTH BRIDGE**

SHEET NO. B16 OF 31 SHEETS

F.A. RTE.	SECTION	COUNTY	TOTAL SHEETS	SHEET NO.
N/A	06-P4005-00-BR	KANE	42	25
CONTRACT NO. 63643				
ILLINOIS FED. AID PROJECT				