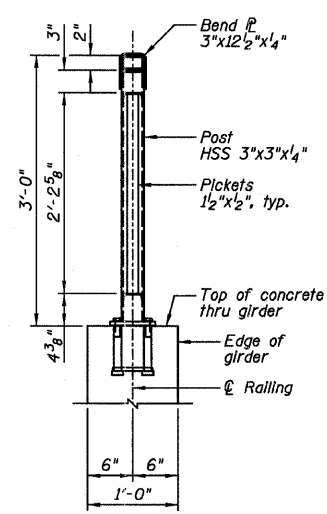
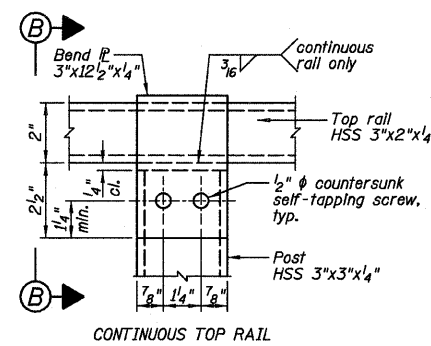


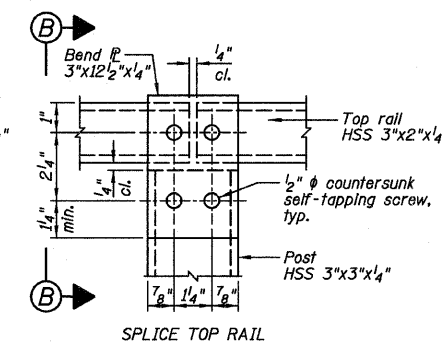
ELEVATION



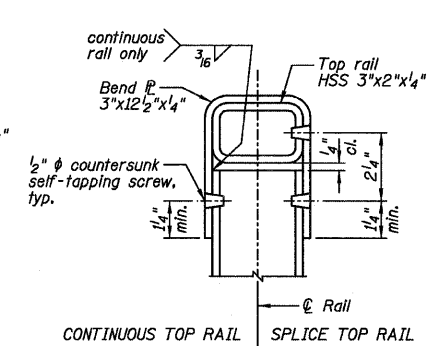
SECTION A-A



ELEVATION



DETAIL A

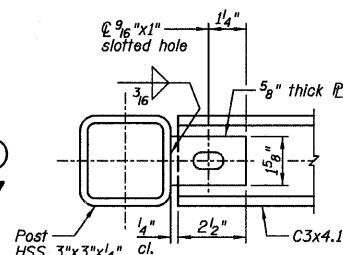
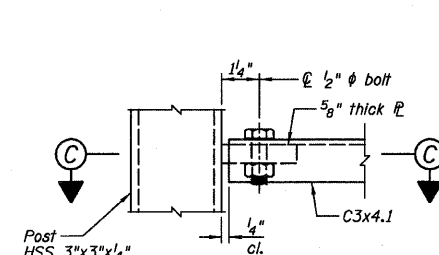


SECTION B-B

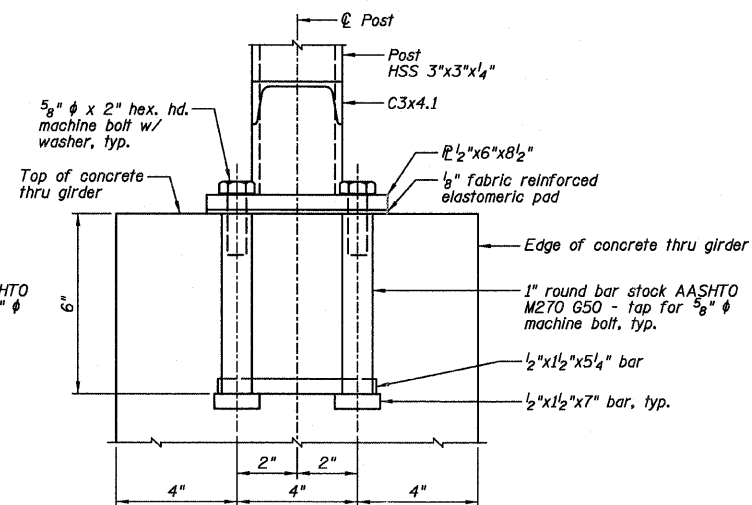
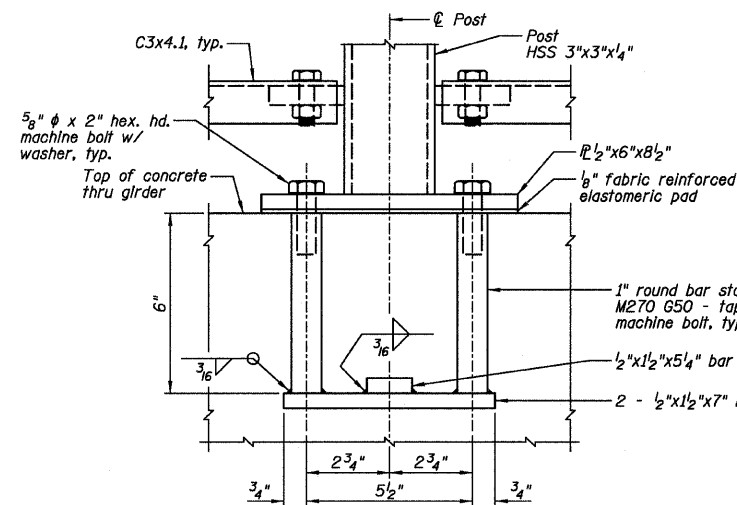
TYPICAL PANEL

Span	Dimension "L"	Dimension "S"	No. Panels
1	6'-0 $\frac{3}{4}$ "	5 $\frac{1}{2}$ "	5
2	6'-4"	5"	5
3	5'-8 $\frac{1}{2}$ "	5 $\frac{3}{8}$ "	7
4	6'-4"	5"	5
5	6'-0 $\frac{3}{4}$ "	5 $\frac{1}{2}$ "	5

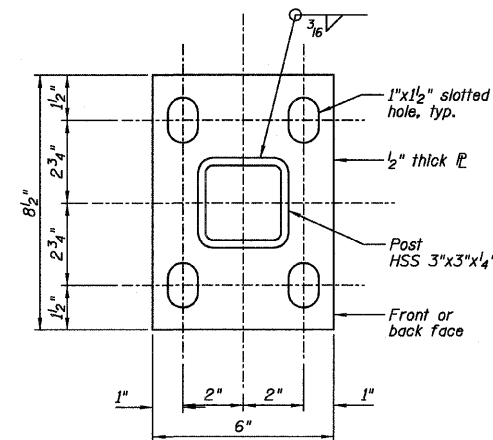
Note: The number of panels is shown for one side of the bridge.



DETAIL B



ANCHOR BOLT DETAILS



BILL OF MATERIAL

Item	Unit	Quantity
Decorative Steel Railing	Foot	328

NOTE:

All posts, railing, splices, anchor devices and bent plates shall be painted in accordance with Section 506 of the Standard Specifications.

Farnsworth GROUP, INC.  
2709 McGraw Drive  
Bloomington, Illinois 61704  
309/683-8435, 309/683-1571 fax

DESIGNED - JML/JCZ  
CHECKED - JML  
DRAWN - DJM  
CHECKED - MSW  
DATE - 10/17/11

REVISED  
REVISED  
REVISED  
REVISED

GENEVA PARK DISTRICT  
GENEVA, ILLINOIS

DECORATIVE STEEL RAILING DETAILS  
ISLAND PARK NORTH BRIDGE

SHEET NO. B19 OF 31 SHEETS

F.A. RTE.	SECTION	COUNTY	TOTAL SHEETS	SHEET NO.
N/A	06-P4005-00-BR	KANE	42	28
				CONTRACT NO. 63643
ILLINOIS FED. AID PROJECT				