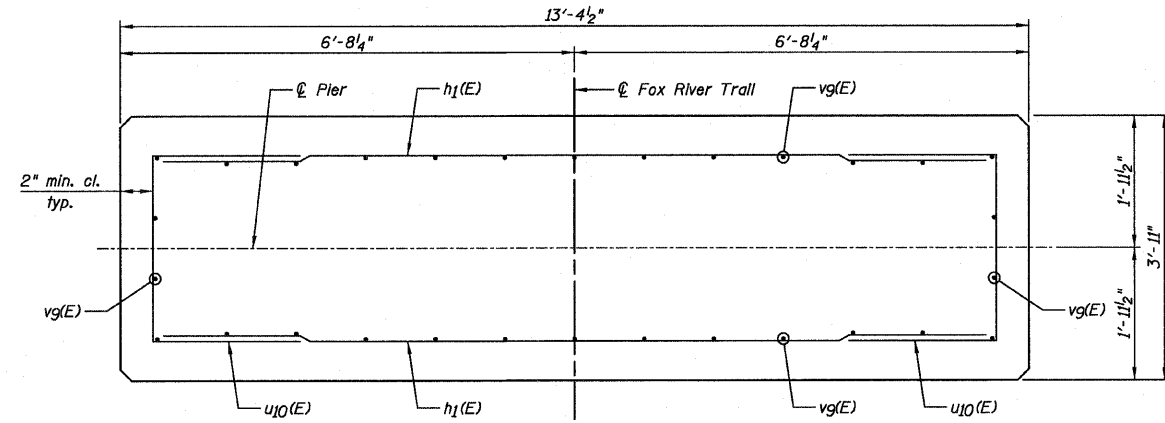


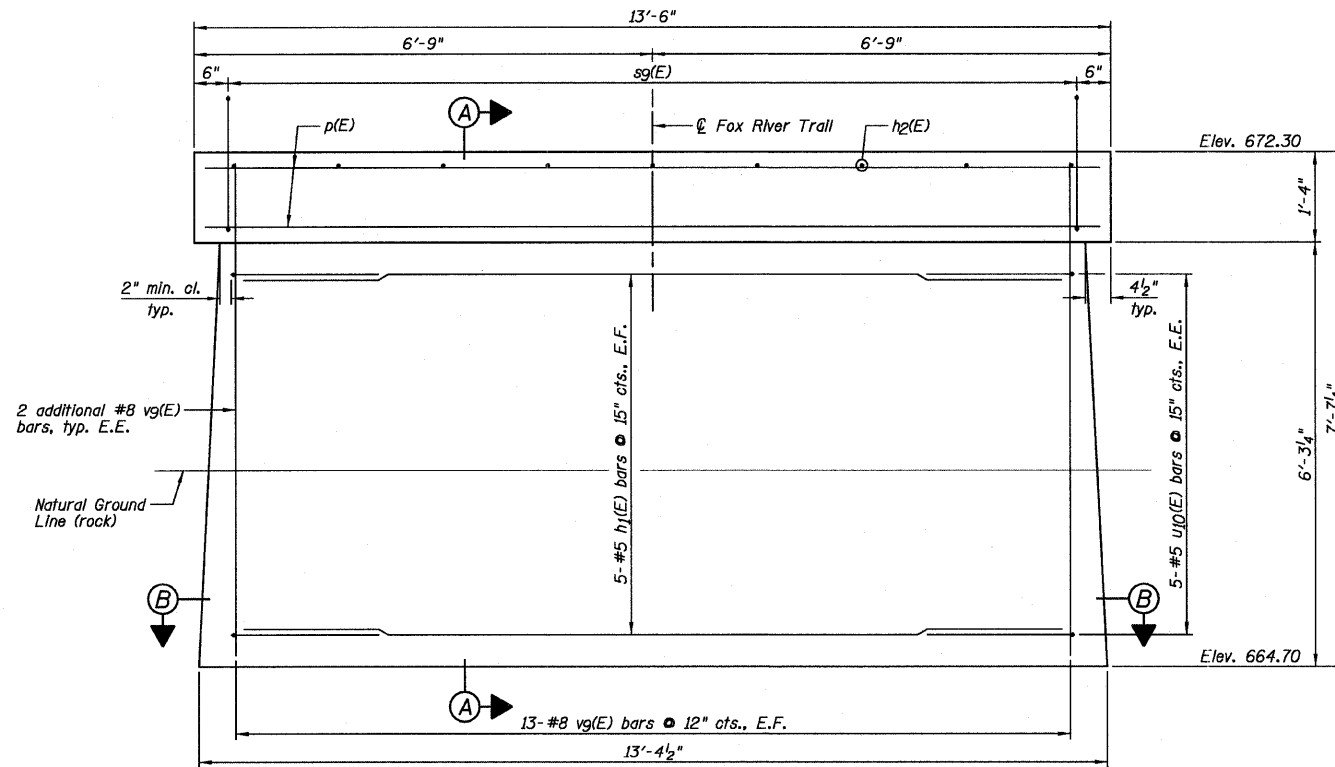
TOP PLAN VIEW



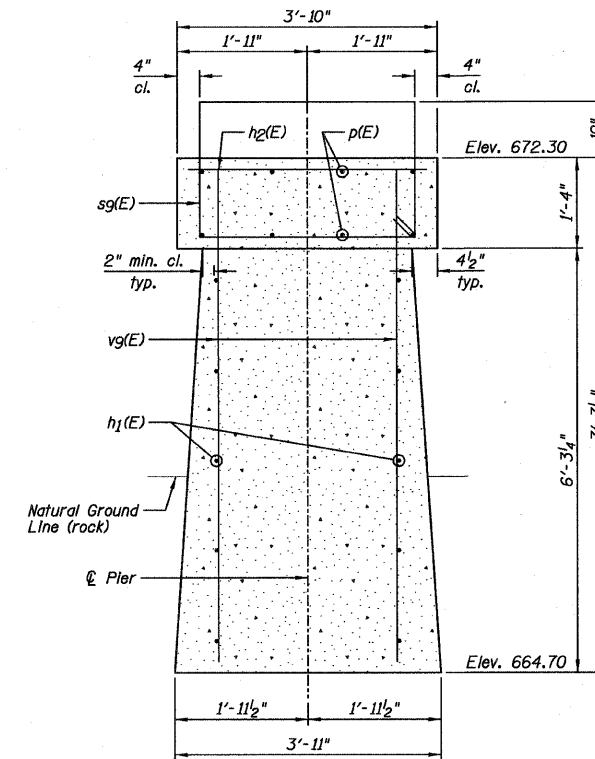
SECTION B-B

PIER NO. 1
BILL OF MATERIAL

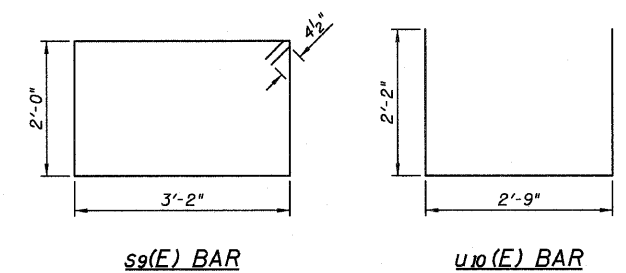
Bar	No.	Size	Length	Shape
h1(E)	10	#5	12'-5"	—
h2(E)	9	#4	3'-6"	—
p(E)	8	#7	13'-2"	—
sg(E)	9	#4	11'-1"	□
U10(E)	10	#5	7'-1"	□
vg(E)	30	#8	7'-2"	—
Item	Unit	Quantity		
Stone Riprap, Class A4	Sq. Yd.	11		
Rock Excavation For Structures	Cu. Yd.	16		
Concrete Structures	Cu. Yd.	13.2		
Reinforcement Bars, Epoxy Coated	Pound	1080		



ELEVATION
(Looking North)



SECTION A-A



sg(E) BAR

U10(E) BAR

NOTE:

E.F. denotes Each Face and E.E. denotes Each End.

Farnsworth
GROUP, INC.
2709 McGraw Drive
Bloomington, Illinois 61704
309/663-8435, 309/663-1571 fax

DESIGNED - JML/JCZ
CHECKED - JML
DRAWN - DJM
DATE - 10/17/11

REVIS
REVIS
REVIS
REVIS

DESIGNED - JML/JCZ
CHECKED - MSW

GENEVA PARK DISTRICT
GENEVA, ILLINOIS

PIER NO. 1 REPLACEMENT
ISLAND PARK NORTH BRIDGE

SHEET NO. B25 OF 31 SHEETS

F.A. RTE.	SECTION	COUNTY	TOTAL SHEETS	SHEET NO.
N/A	06-P4005-00-BR	KANE	42	34
			CONTRACT NO. 63643	
ILLINOIS FED. AID PROJECT				