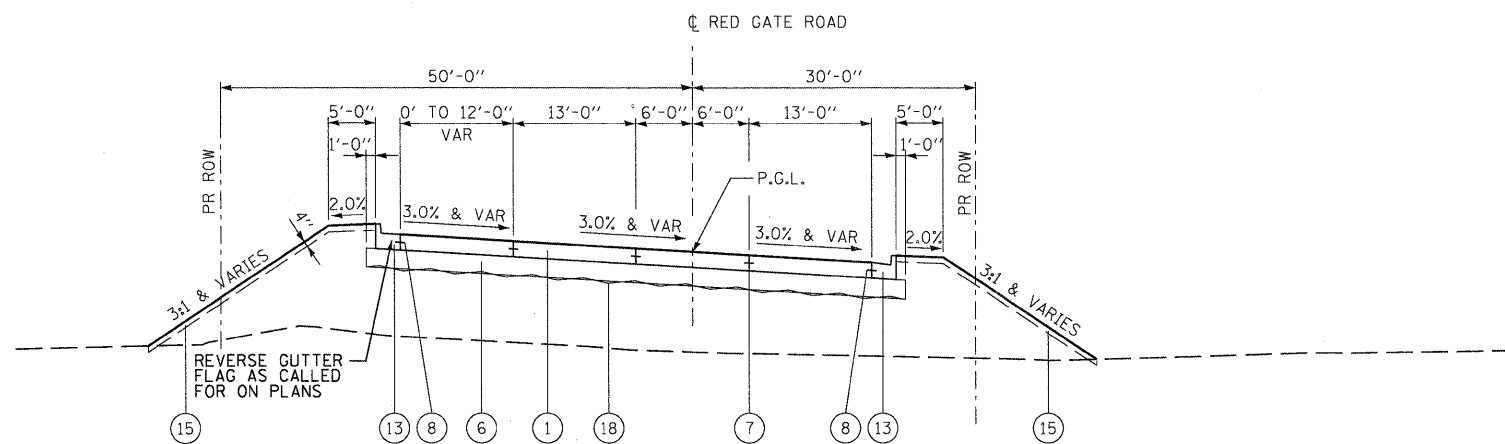


PROPOSED TYPICAL SECTION NO. 1
 STA 95+51.80 TO STA 101+17.81, RED GATE ROAD

- ⑤ STA 95+51.80 TO STA 96+84.00 RIGHT
- ④ STA 96+84.00 TO STA 101+17.81 RIGHT
- ⑤ STA 98+72.00 TO STA 101+17.81 LEFT

LEGEND

- ① PORTLAND CEMENT CONCRETE PAVEMENT, 10" (JOINTED)
- ② HOT-MIX ASPHALT SURFACE COURSE, MIX "D", N70, 2"
- ③ LEVELING BINDER (MACHINE METHOD), N50
- ④ HOT-MIX ASPHALT BASE COURSE, 8"
- ⑤ HOT-MIX ASPHALT BASE COURSE WIDENING, 8"
- ⑥ AGGREGATE SUBGRADE, 12"
- ⑦ LONGITUDINAL CONSTRUCTION JOINT (INCLUDED IN COST OF PORTLAND CEMENT CONCRETE PAVEMENT, 10" JOINTED)
- ⑧ TIE BARS (INCLUDED IN COST OF COMB CONC CURB & GUTTER)
- ⑨ SAW CUTS
- ⑩ HOT-MIX ASPHALT SHOULDERS, 8" (IN 3 LIFTS)
- ⑪ HOT-MIX ASPHALT SHOULDERS, 6" (IN 2 LIFTS)
- ⑫ AGGREGATE SHOULDERS TYPE B, 8"
- ⑬ COMBINATION CONCRETE CURB AND GUTTER B6.24
- ⑭ RAIL BASE
- ⑮ TOPSOIL FURNISH AND PLACE, 4"
- ⑯ STEEL PLATE BEAM GUARD RAIL, TYPE A
- ⑰ STEEL RAIL (SPECIAL)
- ⑱ GEOTECHNICAL FABRIC



PROPOSED TYPICAL SECTION NO. 2
 STA 101+17.81 TO STA 105+19.96, RED GATE ROAD

BEGIN SE TRANS IN STA 100+16.87
 END SE TRANS IN STA 101+80.87
 BEGIN SE TRANS OUT STA 105+23.58
 END SE TRANS OUT STA 106+87.58

STRUCTURAL DESIGN TRAFFIC:		YEAR	2030
PV = 13300	SU = 1085	MU =	1085
ROAD/STREET CLASSIFICATION:		CLASS	II
PERCENT OF STRUCTURAL DESIGN TRAFFIC IN DESIGN LANE:			
P = 86%	S = 7%	M =	7%
TRAFFIC DATA:		ACTUAL TF =	15.29
		MINIMUM TF =	6.03
SUBGRADE SUPPORT RATING:		SSR =	POOR

PLOT SCALE: 1/4" = 1'-0" (PLOT SIZE: 11" X 17")
 FILE NAME: ...\\prpln-abc-sht-rdgt-tp-01.dgn
 USER NAME: tblank
 PLOT DATE: 11/9/2011

FILE NAME =	DESIGNED - MAC	REVISED -
...\\prpln-abc-sht-rdgt-tp-01.dgn	DRAWN - TMB	REVISED -
USER NAME = tblank	CHECKED - RMT	REVISED -
PLOT DATE = 11/9/2011	DATE - 10/23/2011	REVISED -



CITY OF ST. CHARLES

**PROPOSED TYPICAL SECTIONS
 RED GATE ROAD**

SCALE: NTS SHEET NO. 1 OF 4 SHEETS STA. TO STA.

F.A. RTE.	SECTION	COUNTY	TOTAL SHEETS	SHEET NO.
	04-00092-00-BR	KANE	440	29
CONTRACT NO. 63650			ILLINOIS FED. AID PROJECT	