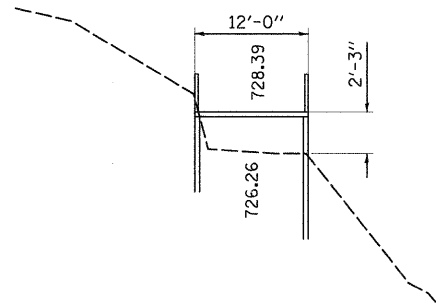
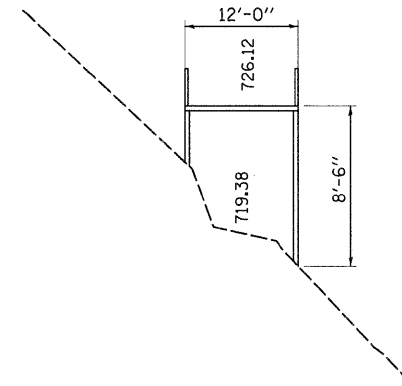


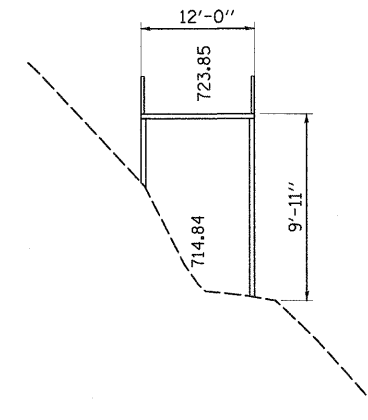
BOARDWALK SECTION - STA 615+00



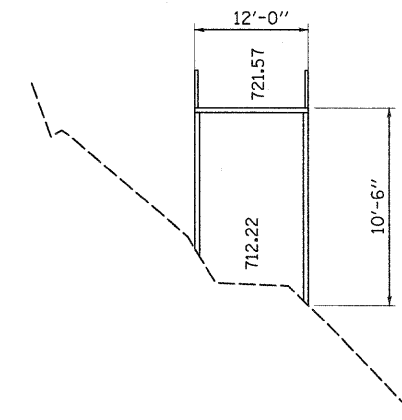
BOARDWALK SECTION - STA 615+50



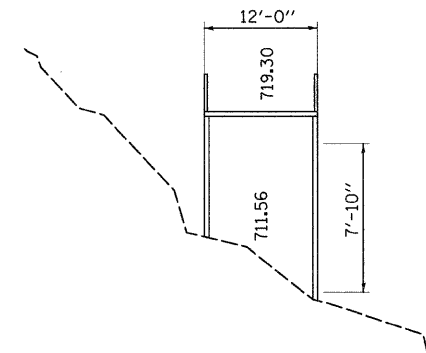
BOARDWALK SECTION - STA 616+00



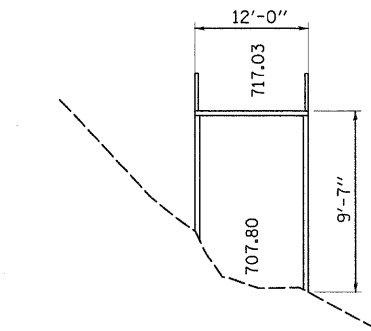
BOARDWALK SECTION - STA 616+50



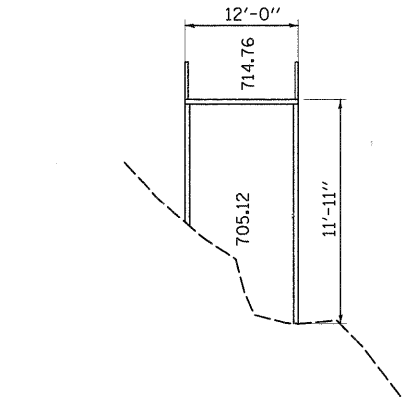
BOARDWALK SECTION - STA 617+00



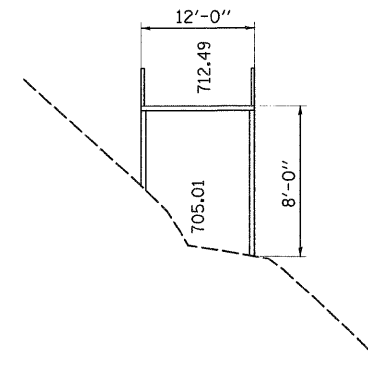
BOARDWALK SECTION - STA 617+50



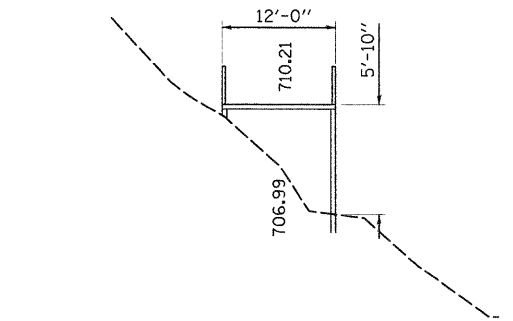
BOARDWALK SECTION - STA 618+00



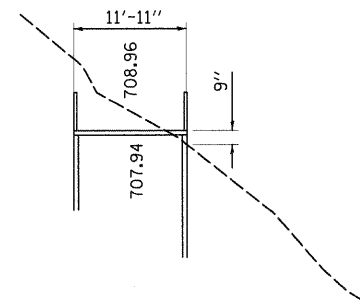
BOARDWALK SECTION - STA 618+50



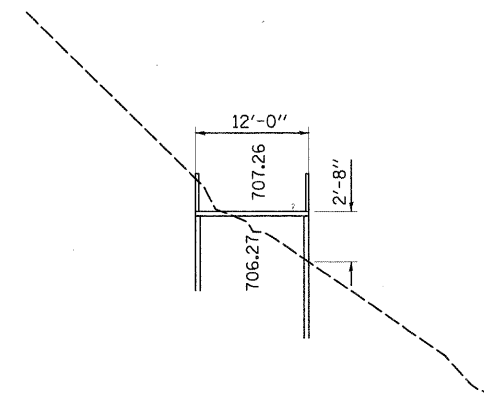
BOARDWALK SECTION - STA 619+00



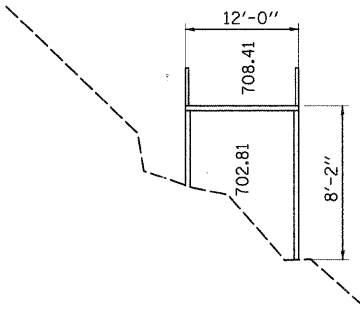
BOARDWALK SECTION - STA 619+50



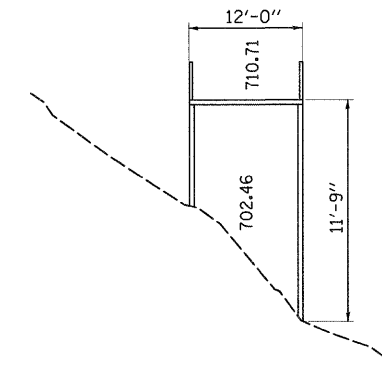
BOARDWALK SECTION - STA 620+00



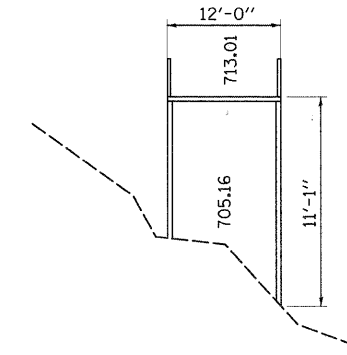
BOARDWALK SECTION - STA 620+50



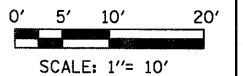
BOARDWALK SECTION - STA 621+00



BOARDWALK SECTION - STA 621+50



BOARDWALK SECTION - STA 622+00



FILE NAME =	DESIGNED - BD/WS	REVISED
USER NAME = TERRA	DRAWN - BD/JW/KC	REVISED -
PLOT DATE = 11/8/2011	CHECKED - WS	REVISED -
	DATE - 10/24/2011	REVISED -

TERRA
ENGINEERING LTD.
225 W. OHIO ST., FOURTH FL.
CHICAGO, IL 60604
(312)467-0123

CITY OF ST. CHARLES

**RED GATE ROAD
BOARDWALK SECTIONS - WEST BANK**

SCALE: SHEET NO. OF SHEETS STA. TO STA.

F.A. RTE.	SECTION	COUNTY	TOTAL SHEETS	SHEET NO.
	04-00092-00-BR	KANE	440	74
CONTRACT NO. 63650			ILLINOIS FED. AID PROJECT	