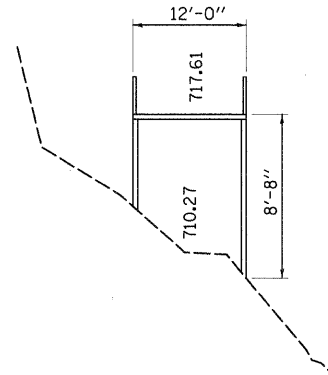
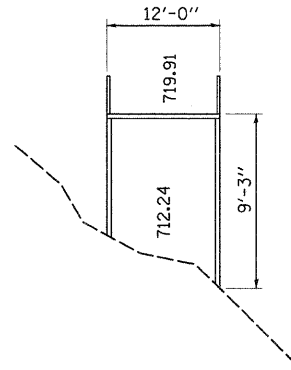


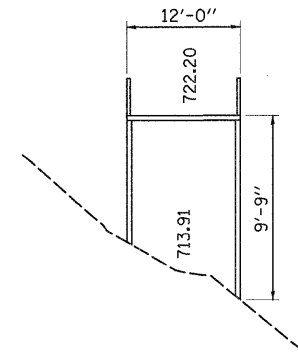
BOARDWALK SECTION - STA 622+50



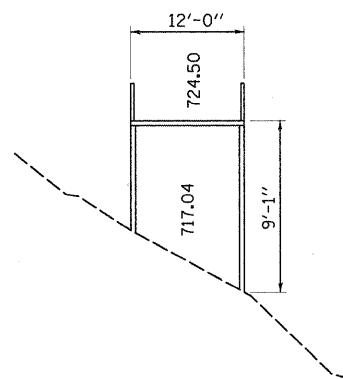
BOARDWALK SECTION - STA 623+00



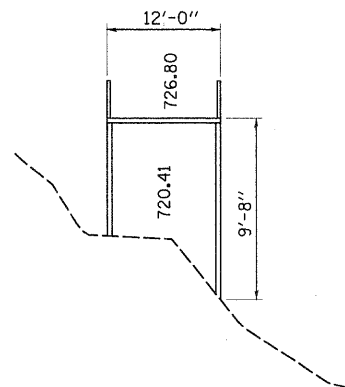
BOARDWALK SECTION - STA 623+50



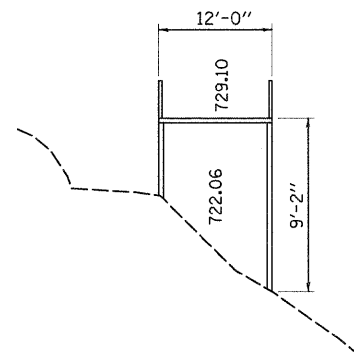
BOARDWALK SECTION - STA 624+00



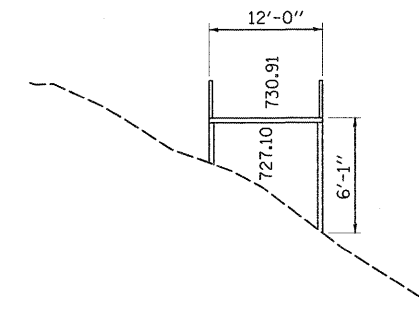
BOARDWALK SECTION - STA 624+50



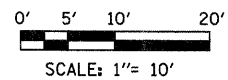
BOARDWALK SECTION - STA 625+00



BOARDWALK SECTION - STA 625+50



BOARDWALK SECTION - STA 626+00



FILE NAME =	DESIGNED - BD/WS	REVISED	 225 W. OHIO ST., FOURTH FL. CHICAGO, IL 60654 (312)467-0123	CITY OF ST. CHARLES	RED GATE ROAD BOARDWALK SECTIONS - WEST BANK			F.A. RTE.	SECTION	COUNTY	TOTAL SHEETS	SHEET NO.
	DRAWN - BD/JW/KC	REVISED -						04-00092-00-BR	KANE	440	75	
USER NAME = TERRA	CHECKED - WS	REVISED -			SCALE:	SHEET NO.	OF SHEETS	STA.	TO STA.	CONTRACT NO. 63650		
PLOT DATE = 11/8/2011	DATE - 10/24/2011	REVISED -								ILLINOIS FED. AID PROJECT		