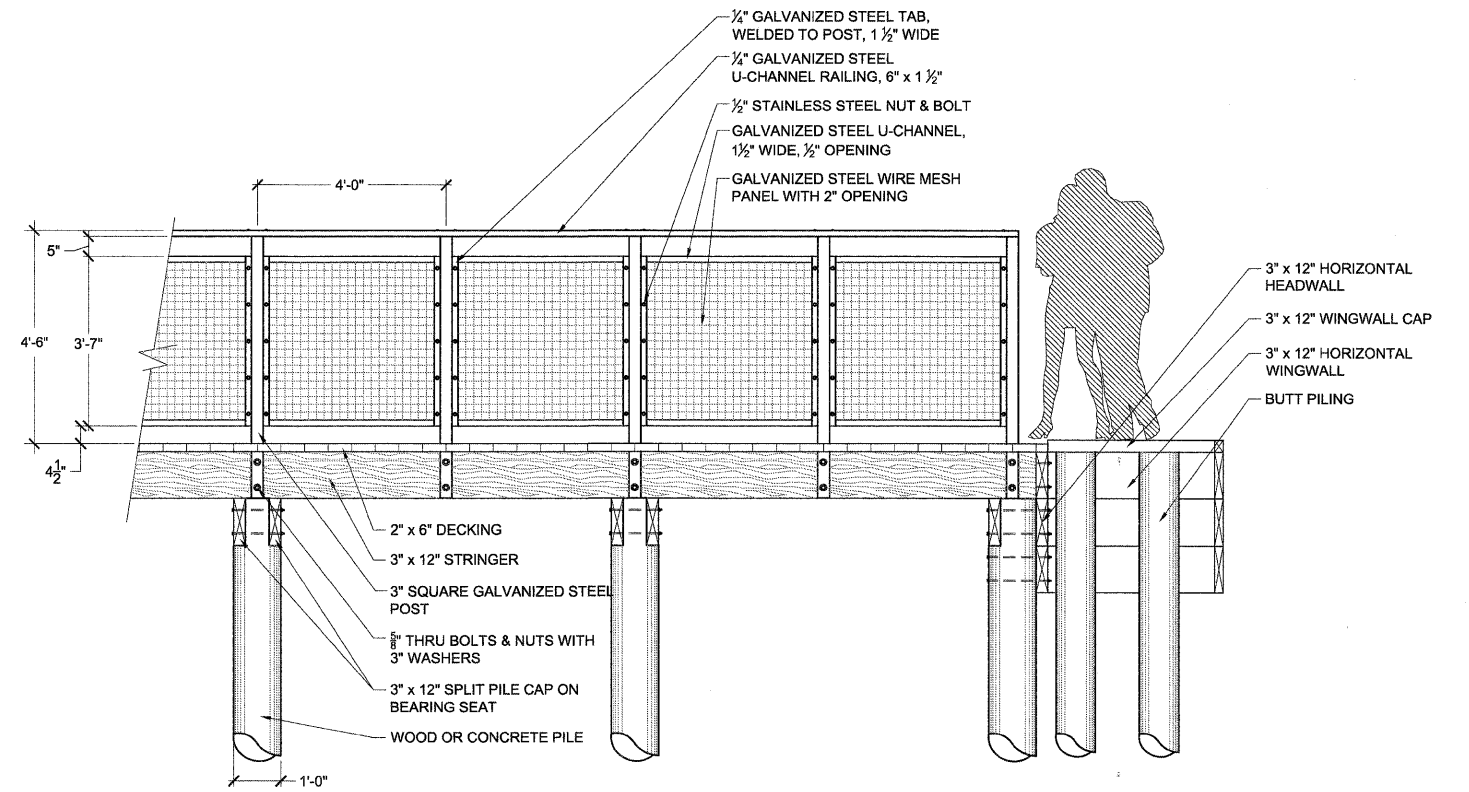
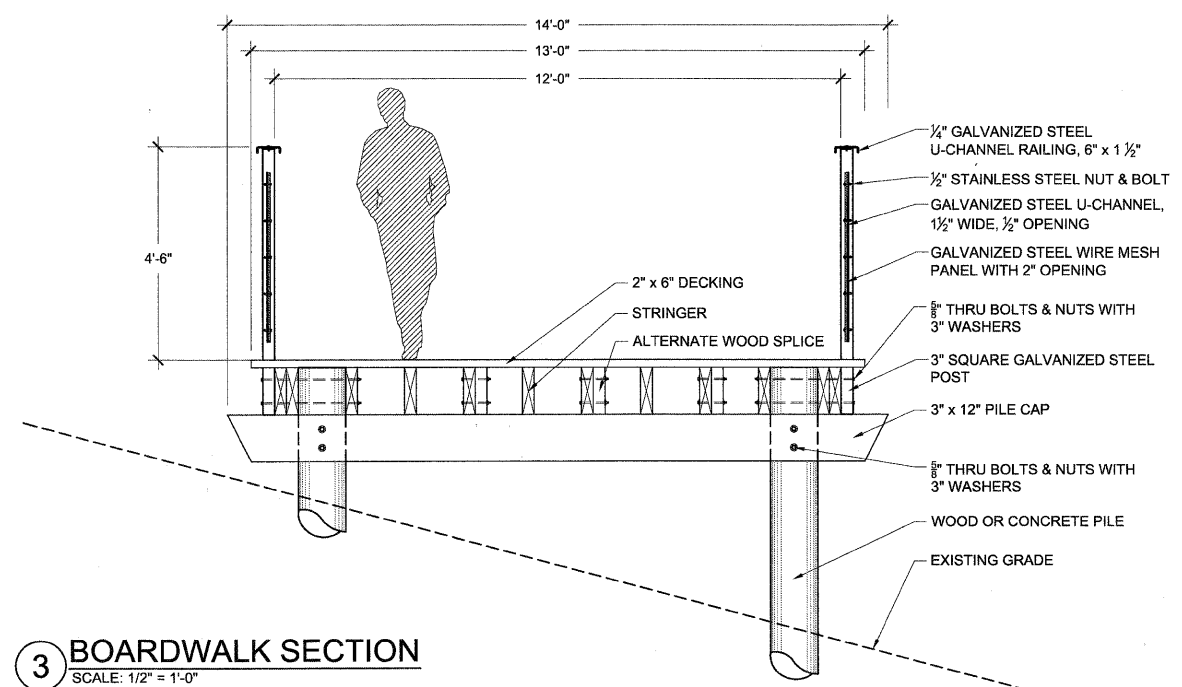


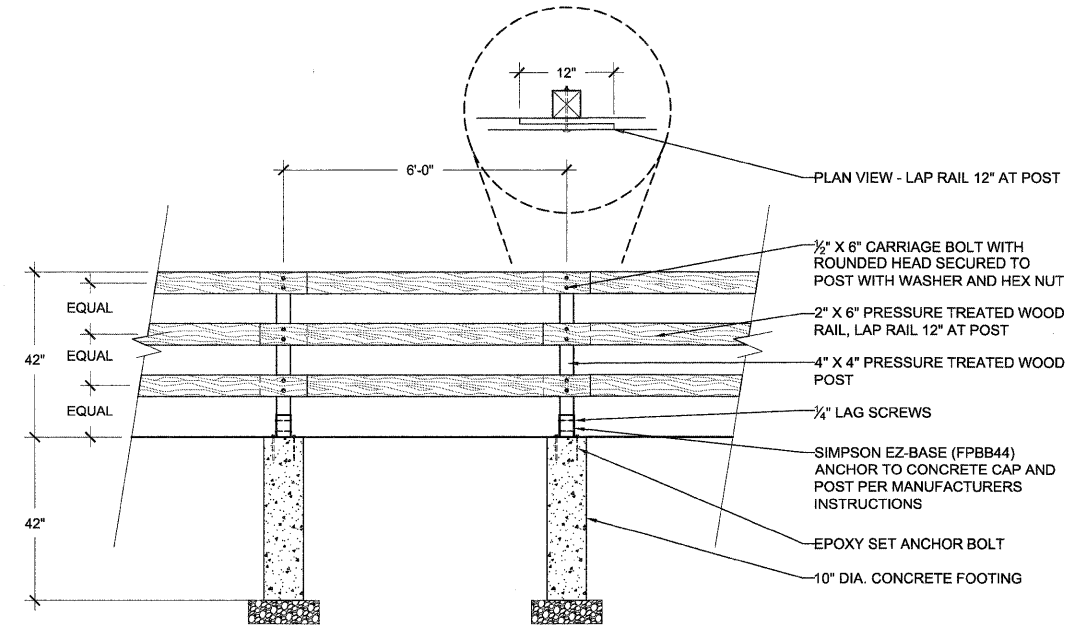
1 BOARDWALK FRAMING PLAN
 SCALE: 1/2" = 1'-0"



2 BOARDWALK AND BICYCLE RAILING (SPECIAL) - ELEVATION
 SCALE: 1/2" = 1'-0"



3 BOARDWALK SECTION
 SCALE: 1/2" = 1'-0"



4 WOOD POST AND RAIL FENCE DETAIL
 SCALE: 1/2" = 1'-0"

FILE NAME =	DESIGNED - TL/WS	REVISED -	 225 W. OHIO ST., FOURTH FL. CHICAGO, IL 60654 (312)467-0123	CITY OF ST. CHARLES	RED GATE ROAD BOARDWALK DETAILS	F.A. RTE.	SECTION	COUNTY	TOTAL SHEETS	SHEET NO.
USER NAME =	DRAWN - TL/BD	REVISED -				04-00092-00-BR	KANE	440	79	
PLOT DATE =	CHECKED - WS	REVISED -				CONTRACT NO. 63650				
	DATE - 10/24/2011	REVISED -				ILLINOIS FED. AID PROJECT				
SCALE: VARIES						STA.	TO STA.			