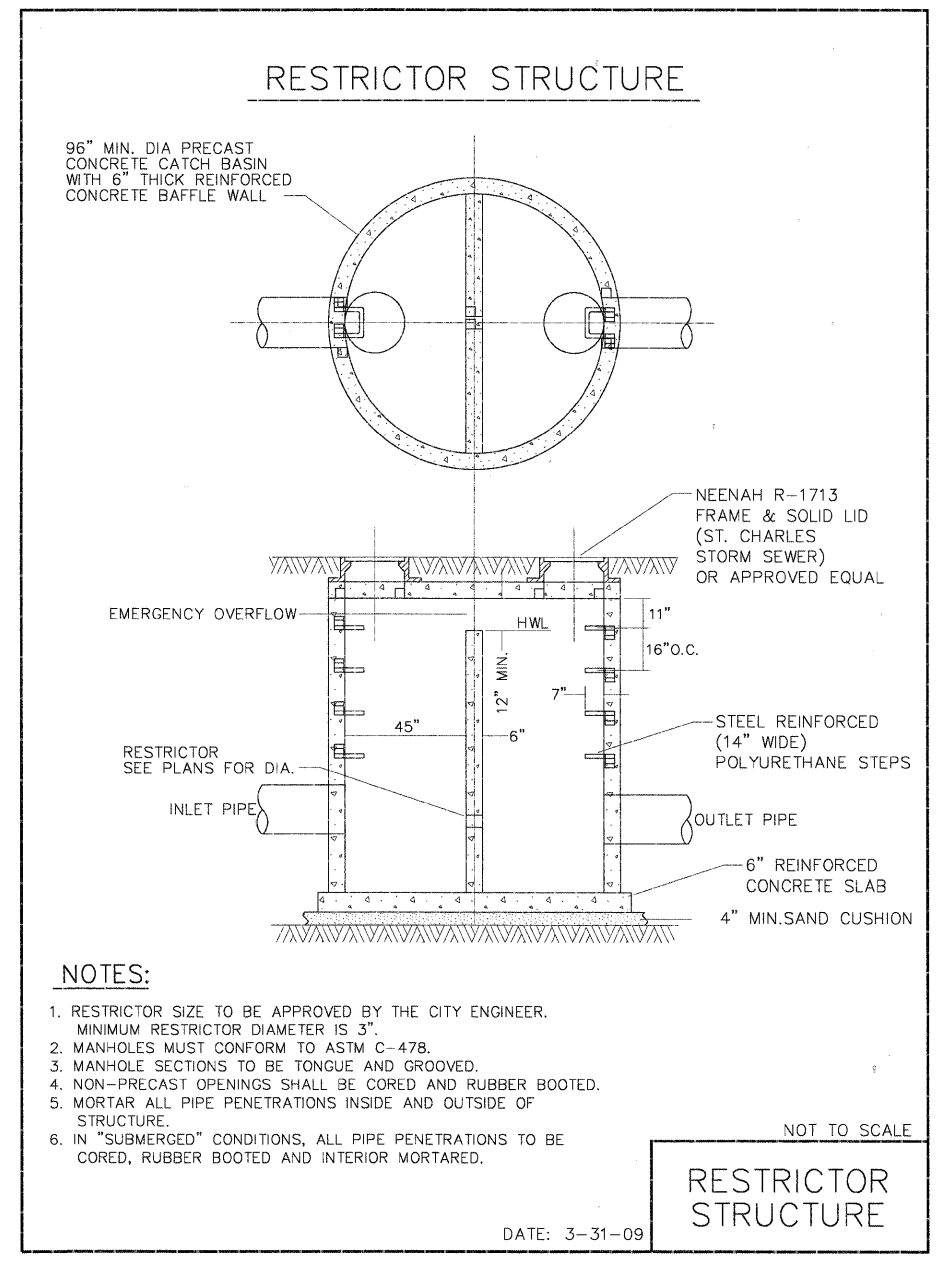
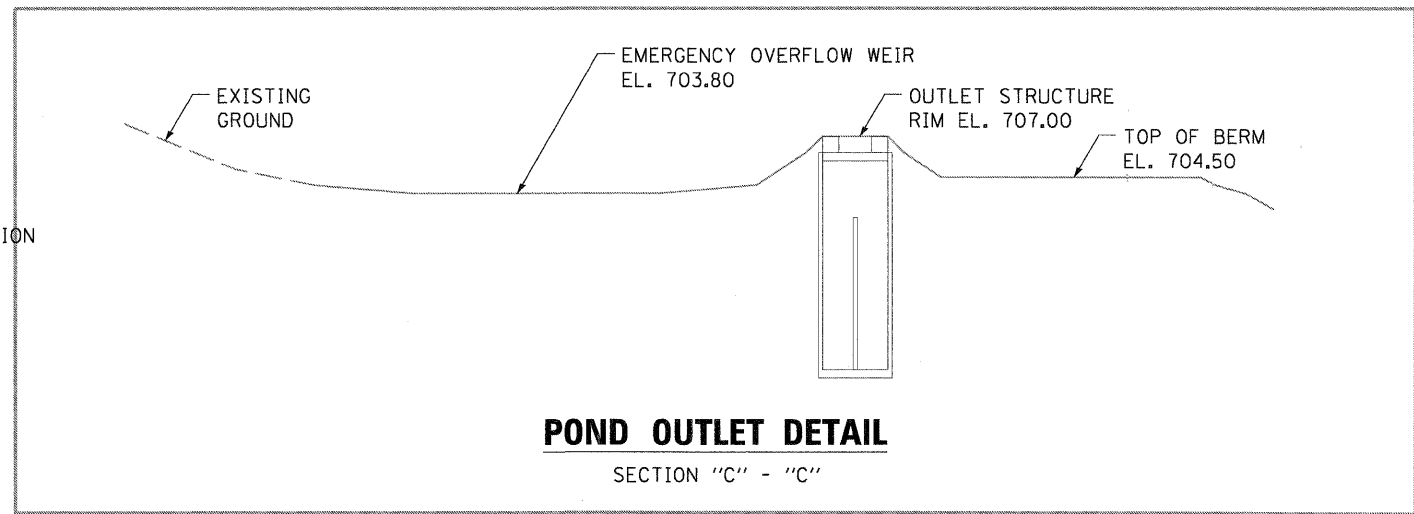
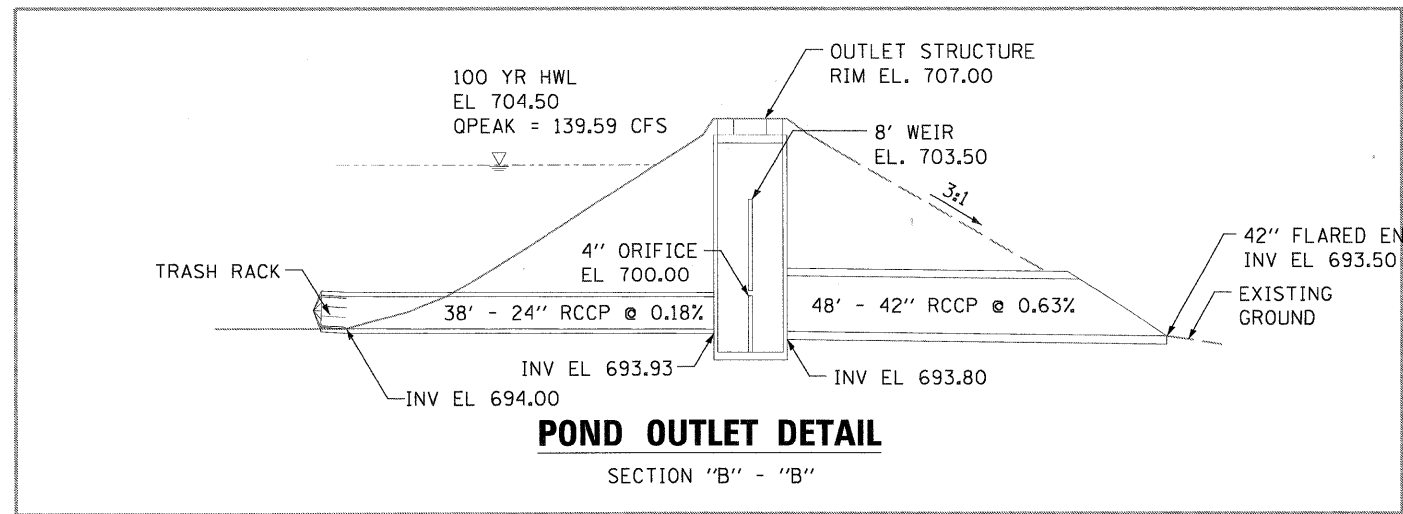


PROPOSED EAST POND OUTLET STRUCTURE
MANHOLE TYPE 1, 8' DIA., W /RESTRICTOR

REFER TO RESTRICTOR STRUCTURE DETAIL - THIS SHEET

INLET PIPE		OUTLET PIPE		WEIR		ORIFICE		MANHOLE
DIA. (IN.)	INV. ELEV.	DIA. (IN.)	INV. ELEV.	LENGTH (FT.)	ELEV.	DIA. (IN.)	ELEV.	DIA. (FT.)
(A)	(B)	(C)	(D)	(E)	(F)	(G)	(H)	(I)
24	693.93	42	693.80	8	703.5	4	700.0	8



PLOT DATE = 11/29/2011
 FILE NAME = ...
 USER NAME = tblank
 PLT DATE = 11/29/2011