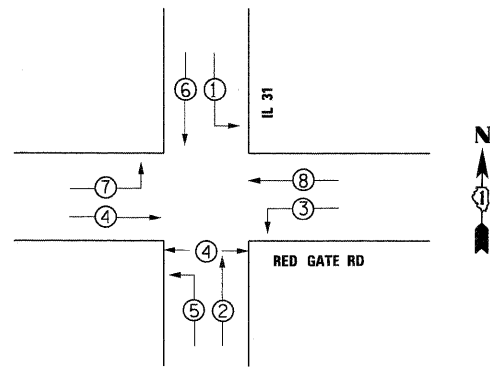


**TEMPORARY CONTROLLER SEQUENCE**

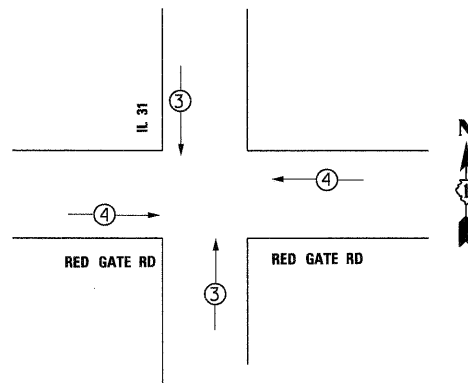


**LEGEND**

- DUAL ENTRY PHASE
- SINGLE ENTRY PHASE
- OL OVERLAP
- PEDESTRIAN PHASE
- NUMBER REFERS TO ASSOCIATED PHASE

**TEMPORARY PHASE DESIGNATION DIAGRAM  
PRE-STAGE, STAGES 1 & 2**

**TEMPORARY EMERGENCY VEHICLE PREEMPTION  
SEQUENCE PRE-STAGE, STAGES 1 & 2**

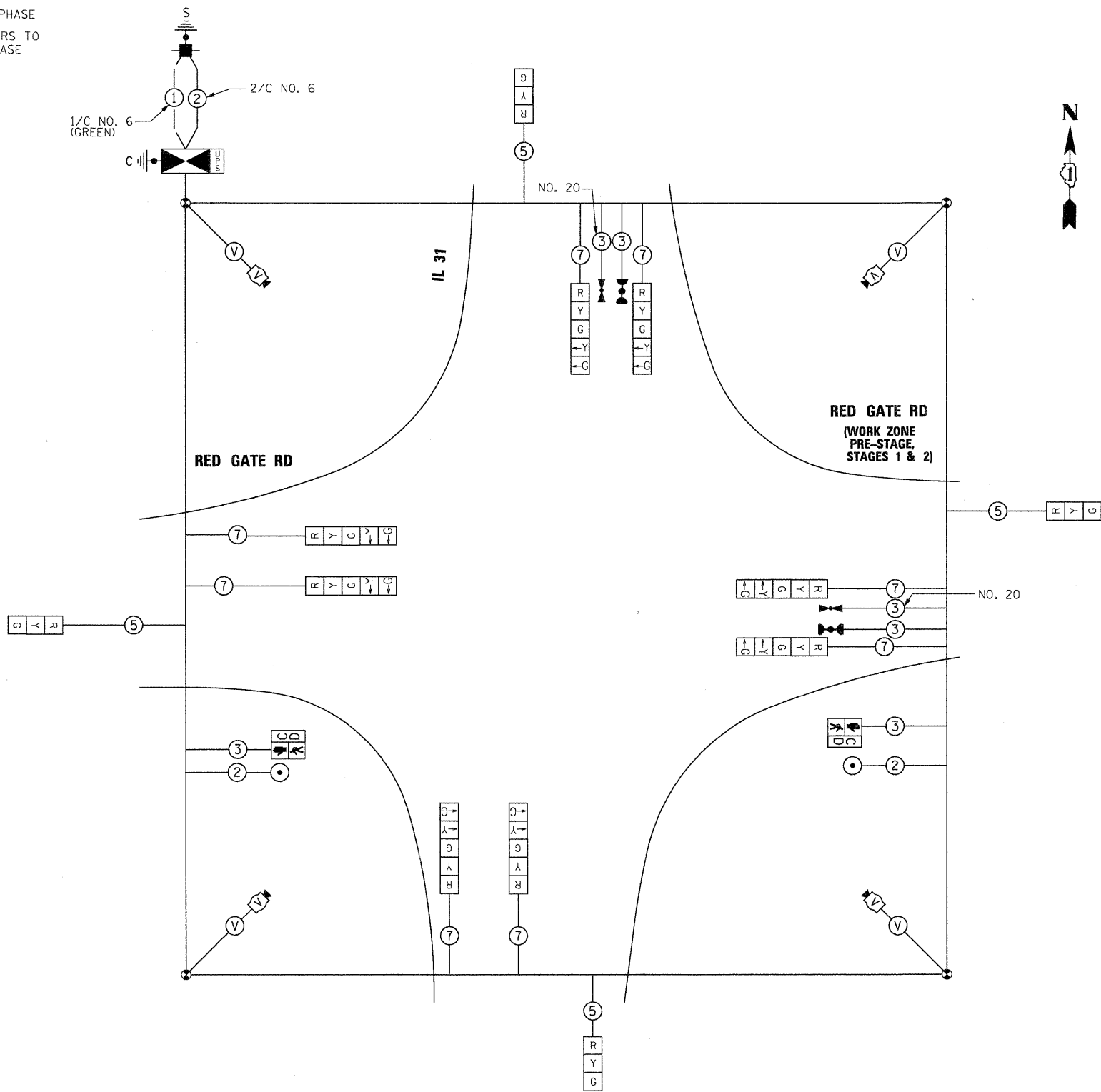


**TEMPORARY EMERGENCY VEHICLE PREEMPTORS  
PRE-STAGE, STAGES 1 & 2**

EMERGENCY VEHICLE PREEMPTORS	3	4
MOVEMENT	↑↓	←→

I.D.O.T TRAFFIC SIGNAL INSTALLATION ELECTRICAL SERVICE REQUIREMENTS					TOTAL WATTAGE
TYPE	NO. LAMPS	WATTAGE INCAND.	LED	%OPERATION	
SIGNAL (RED)	12	-	17	0.50	102
(YELLOW)	12	-	25	0.25	75
(GREEN)	12	-	15	0.25	45
ARROW	16	-	12	0.10	19
PED. SIGNAL	2	-	25	1.00	50
CONTROLLER	1	-	100	1.00	100
ILLUM. SIGN	0	-	25	0.05	-
VIDEO SYSTEM	1	150	-	1.00	150
FLASHER				0.50	
ENERGY COSTS TO:				TOTAL =	541

**ILLINOIS DEPARTMENT OF TRANSPORTATION**  
 201 W. CENTER COURT  
 SCHAMBURG, ILLINOIS 60196  
 ENERGY SUPPLY CONTACT: GLYNN AMBURGEY  
 PHONE: 630-377-4407  
 COMPANY: CITY OF ST. CHARLES



**TEMPORARY CABLE PLAN  
PRE-FINAL STAGE**

FILE NAME = ...\\dfs1g-abc-eh-tempeable-IL31 Final Stage.dwg  
 USER NAME = toddblank  
 PLOT DATE = 11/22/2011

DESIGNED - BC	REVISED -
DRAWN - BC	REVISED -
CHECKED - MPM	REVISED -
DATE - 10/23/2011	REVISED -



**CITY OF ST. CHARLES**

**TEMPORARY CABLE PLAN IL 31 AT RED GATE RD  
PRE-FINAL STAGE**

SCALE: NTS SHEET NO. 6 OF 12 SHEETS STA. TO STA.

F.A. RTE.	SECTION	COUNTY	TOTAL SHEETS	SHEET NO.
	04-00092-00-BR	KANE	440	192
CONTRACT NO. 63650				
ILLINOIS FED. AID PROJECT				